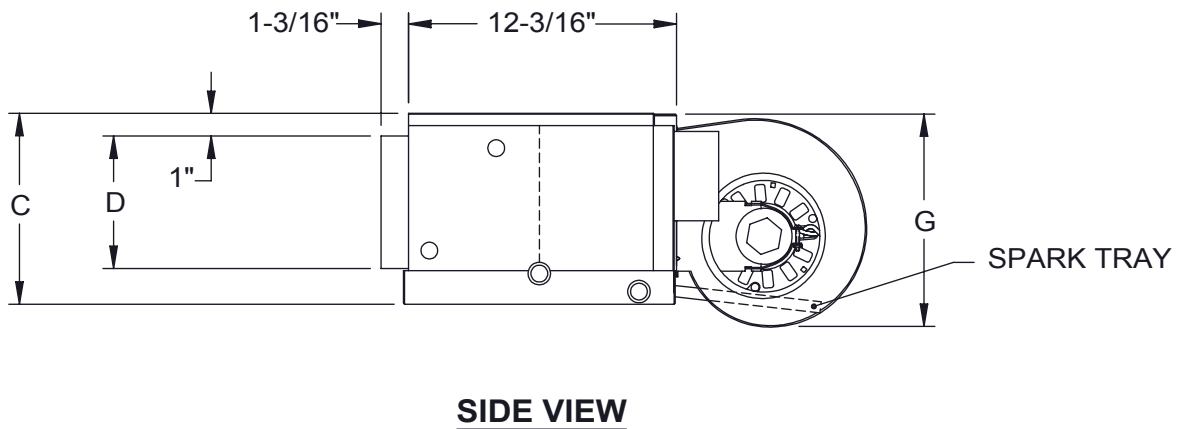
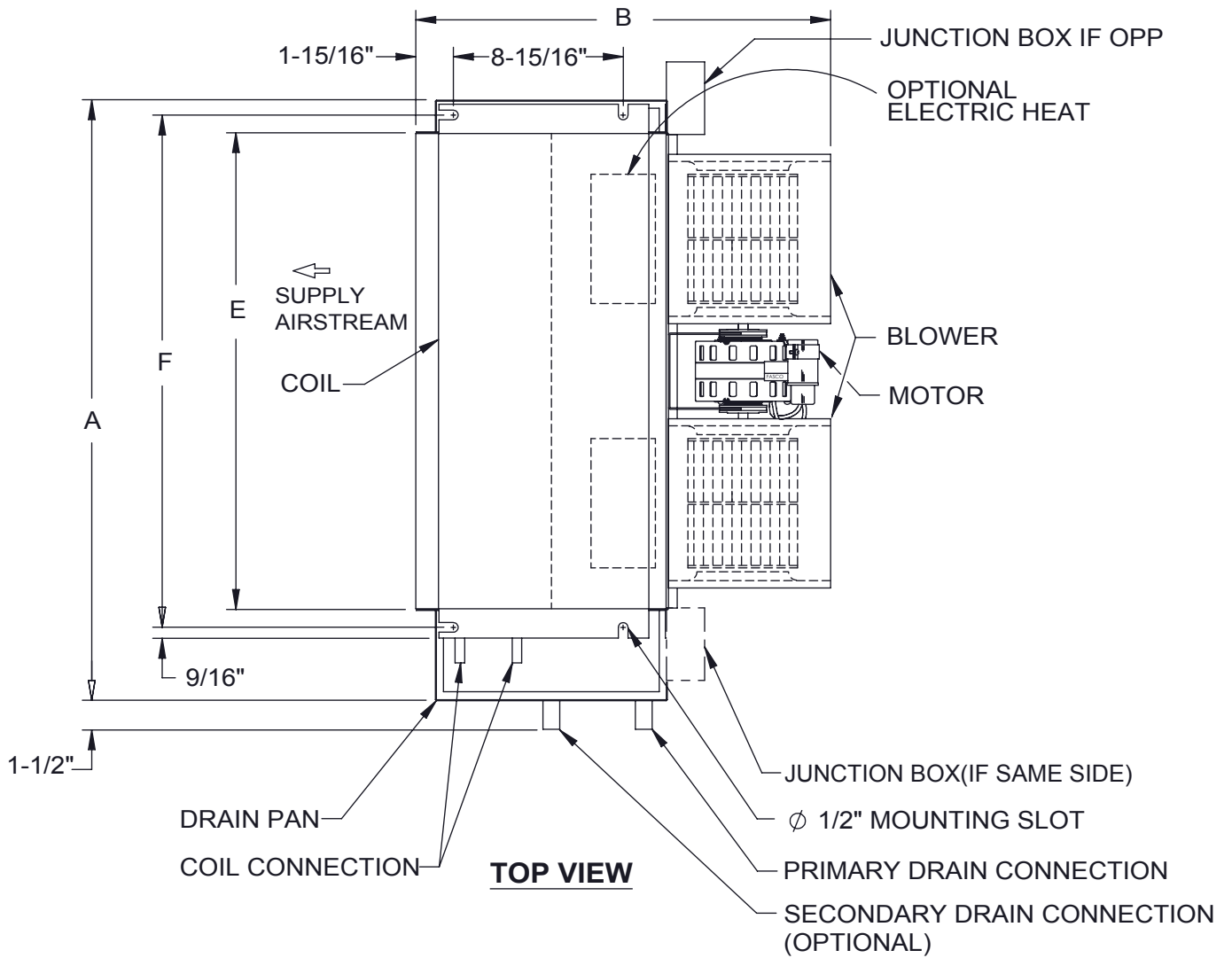
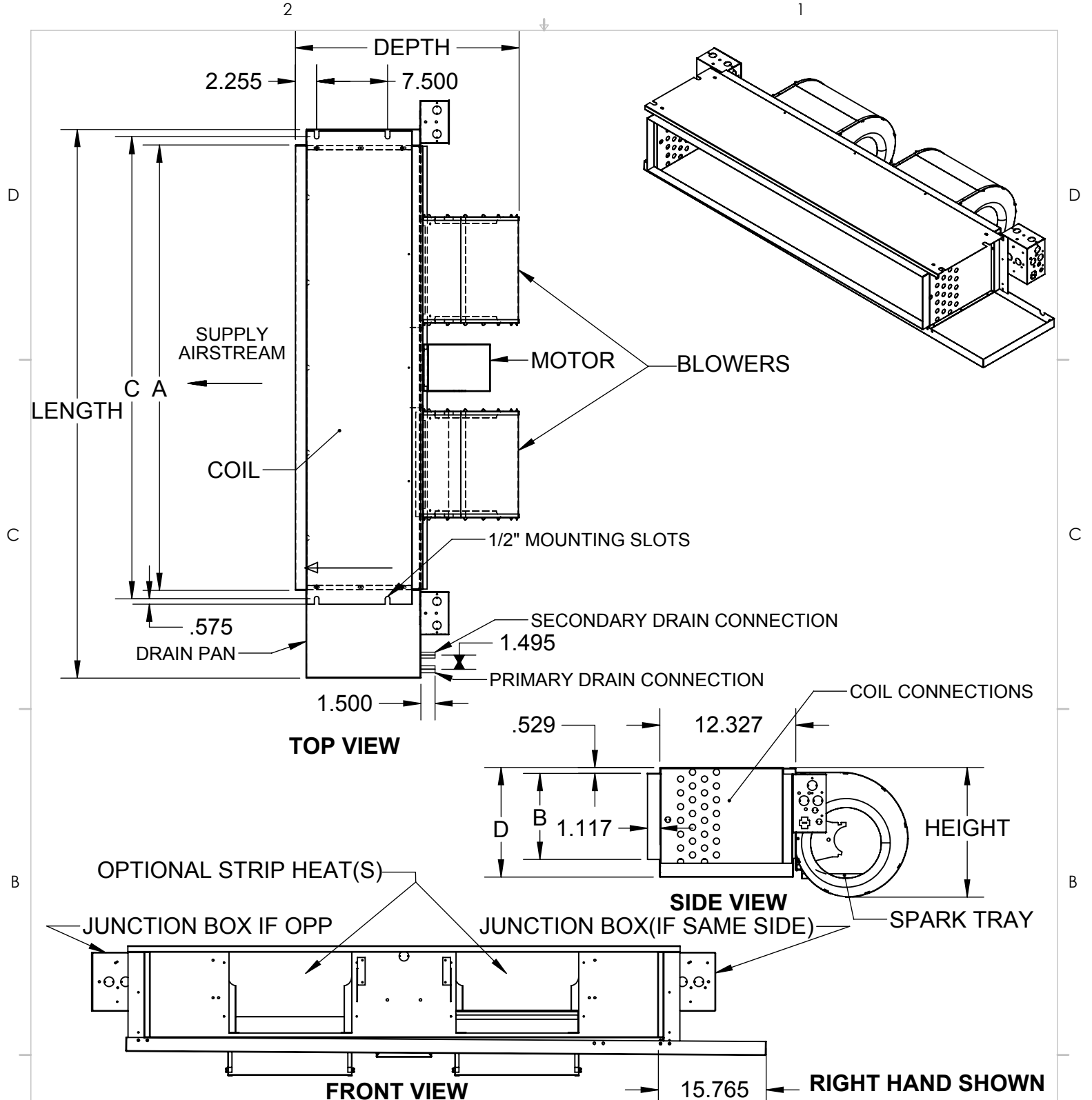


RIGHT HAND SHOWN

MODEL	A	B	C	D	E	F	G
LH 002-003	31-1/2	21-3/4	9	6	19	20-7/8	9-1/2
LH 004	31-1/2	21-3/4	9	6	25	26-7/8	9-1/2
LH 006	37-1/2	21-3/4	9	6	31	32-7/8	9-1/2
LH 008	37-1/2	22-1/4	10-3/8	7-13/16	31	32-7/8	10-5/8
LH 010	49-1/2	22-1/4	10-3/8	7-13/16	37	38-7/8	10-5/8
LH 012	49-1/2	22-1/4	10-3/8	7-13/16	43	44-7/8	10-5/8



MODEL	A	B	C	D	E	F	G
LH 002-003	37-1/2	21-3/4	9	6	19	20-7/8	9-1/2
LH 004	37-1/2	21-3/4	9	6	25	26-7/8	9-1/2
LH 006	43-1/2	21-3/4	9	6	31	32-7/8	9-1/2
LH 008	43-1/2	22-1/4	10-3/8	7-13/16	31	32-7/8	10-5/8
LH 010	55-1/2	22-1/4	10-3/8	7-13/16	37	38-7/8	10-5/8
LH 012	55-1/2	22-1/4	10-3/8	7-13/16	43	44-7/8	10-5/8



UNIT SIZE	OVERALL			SUPPLY DUCT				BLOWERS
	LENGTH	HEIGHT	DEPTH	A	B	C	D	
002-003	36	9.88	22.5	19.13	6	20.88	8	1
004	44	9.88	22.5	25.13	6	26.88	8	2
006	50	9.88	22.5	33.13	6	34.88	8	2
008	50	11.75	23.63	33.13	7.75	34.88	9.75	2
010	56	11.75	23.63	39.13	7.75	40.88	9.75	2
012	64	11.75	23.63	47.13	7.75	48.88	9.75	2

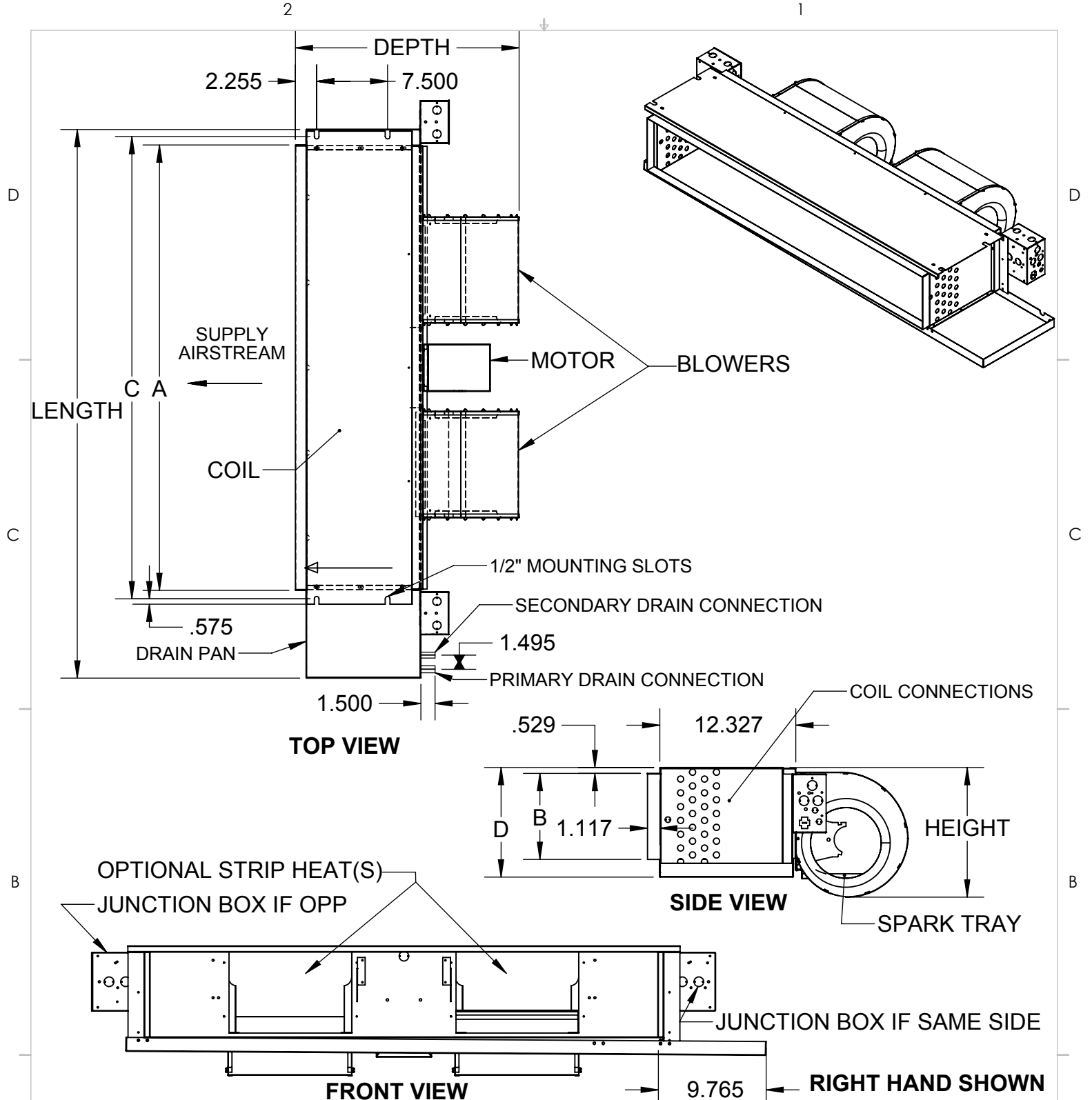
PROPRIETARY AND CONFIDENTIAL
 THE INFORMATION CONTAINED IN THIS DOCUMENT IS THE SOLE PROPERTY OF WILLIAMS FURNACE COMPANY. ANY REPRODUCTION IN PART OR AS A WHOLE WITHOUT THE WRITTEN PERMISSION OF WILLIAMS FURNACE COMPANY IS PROHIBITED.

DRAWING NOT TO SCALE

TITLE: LH.Basic Unit Revision Level B

DWG. NO.: D106661

REV: B



UNIT SIZE	OVERALL			SUPPLY DUCT				BLOWERS
	LENGTH	HEIGHT	DEPTH	A	B	C	D	
002-003	30	9.88	22.5	19.13	6	20.88	8	1
004	37.5	9.88	22.5	25.13	6	26.88	8	2
006	44	9.88	22.5	33.13	6	34.88	8	2
008	44	11.75	23.63	33.13	7.75	34.88	9.75	2
010	50	11.75	23.63	39.13	7.75	40.88	9.75	2
012	58	11.75	23.63	47.13	7.75	48.88	9.75	2

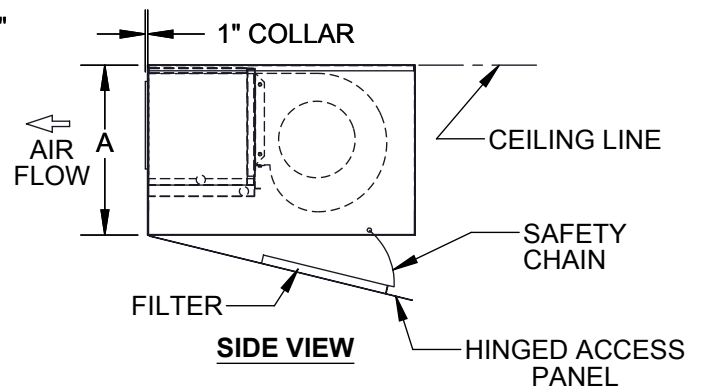
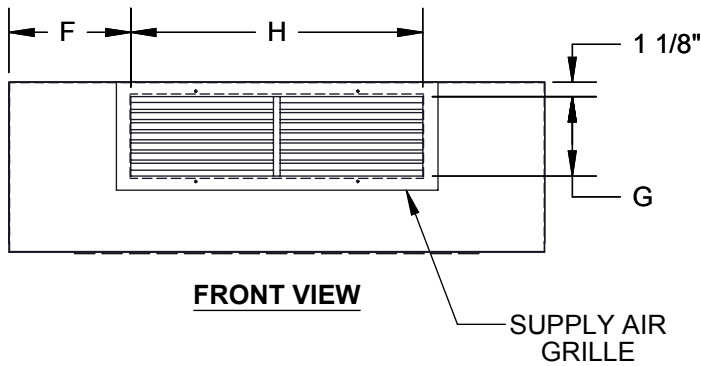
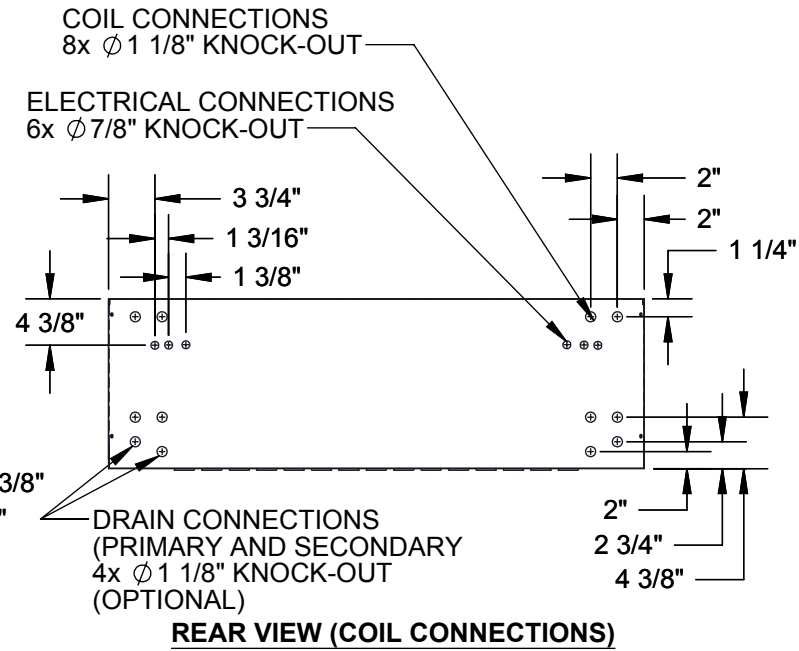
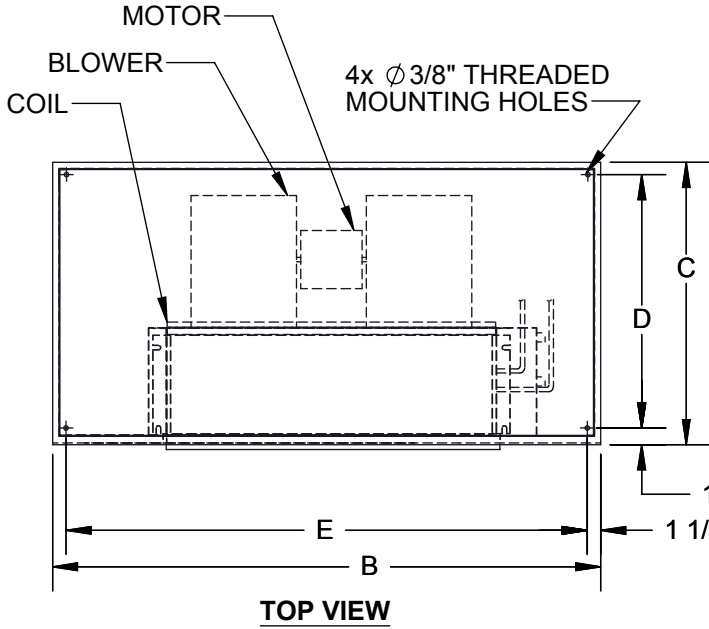
PROPRIETARY AND CONFIDENTIAL
 THE INFORMATION CONTAINED IN THIS DOCUMENT IS THE SOLE PROPERTY OF WILLIAMS FURNACE COMPANY. ANY REPRODUCTION IN PART OR AS A WHOLE WITHOUT THE WRITTEN PERMISSION OF WILLIAMS FURNACE COMPANY IS PROHIBITED.

DRAWING NOT TO SCALE

TITLE: LH.Basic
Unit Revision Level B

DWG. NO. D104027

REV B

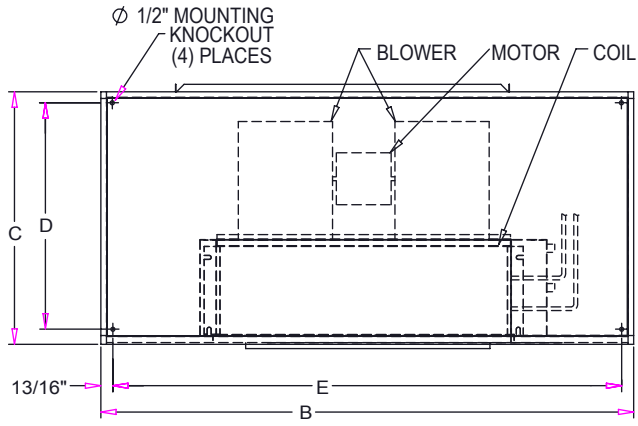


6" HANDED & 6" OPPOSITE CABINET EXTENTION & EXTENDED DRAIN PAN RIGHT HAND SHOWN

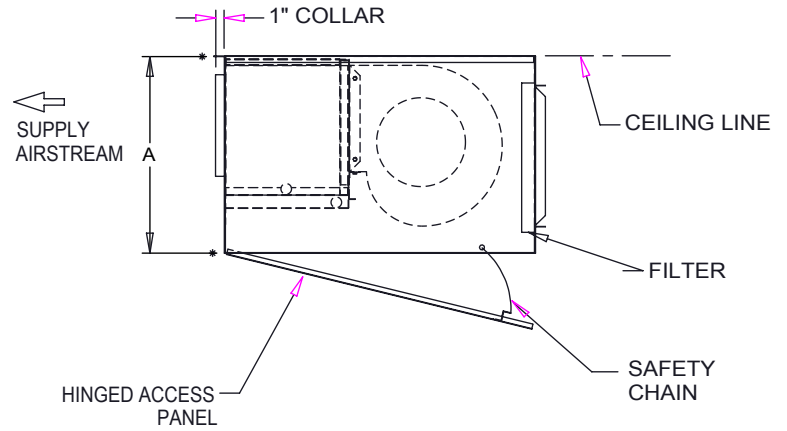
MODEL	A	B	C	D	E	F	G	H	BLOWER QTY	FILTER SIZE
200-300	11 3/8	55	24	21	52	18 3/8	6 1/4	18 1/4	1	(2) 11x20x1
400	11 3/8	55	24	21	52	15 3/8	6 1/4	24 1/4	2	(2) 11x20x1
600	12 3/8	65	28	25	62	17 3/8	6 1/4	30 1/4	2	(2) 11x24x1
800	12 3/8	65	28	25	62	17 3/8	7 3/4	30 1/4	2	(2) 11x24x1
1000	12 3/8	73	28	25	70	18 3/8	7 3/4	36 1/4	2	(2) 11x27x1
1200	12 3/8	73	28	25	70	15 3/8	7 3/4	42 1/4	2	(2) 11x27x1

DELUXE BOTTOM STAMPED
REV A

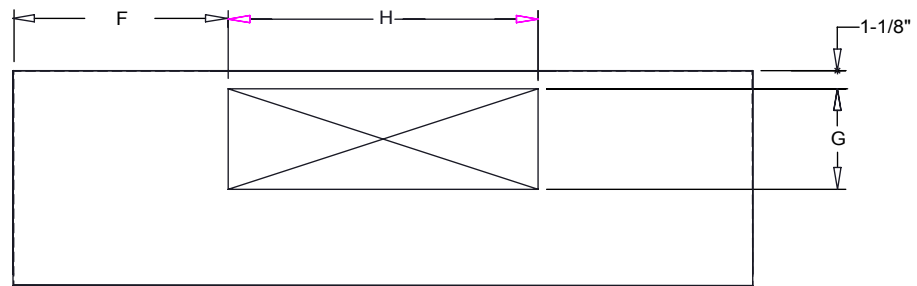
D107695



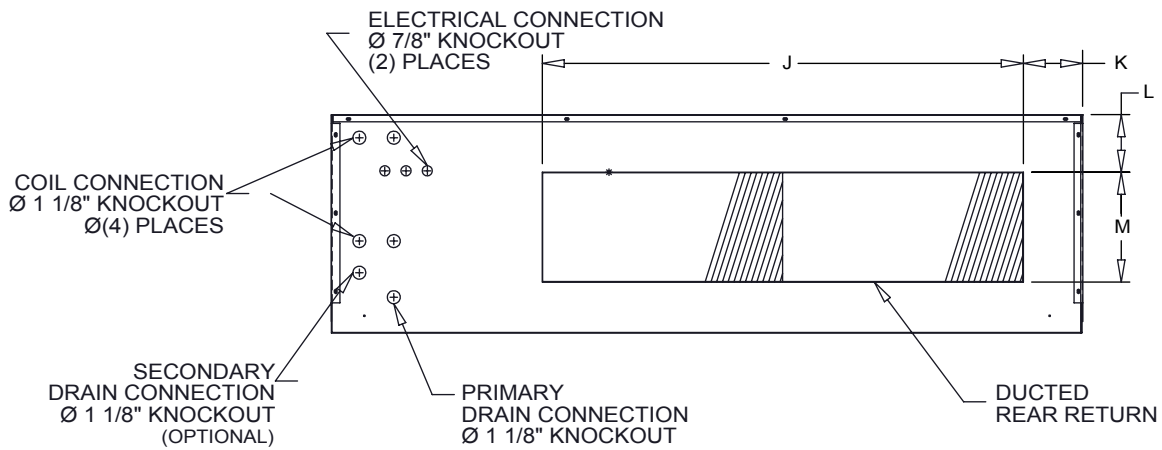
TOP VIEW



SIDE VIEW



FRONT VIEW

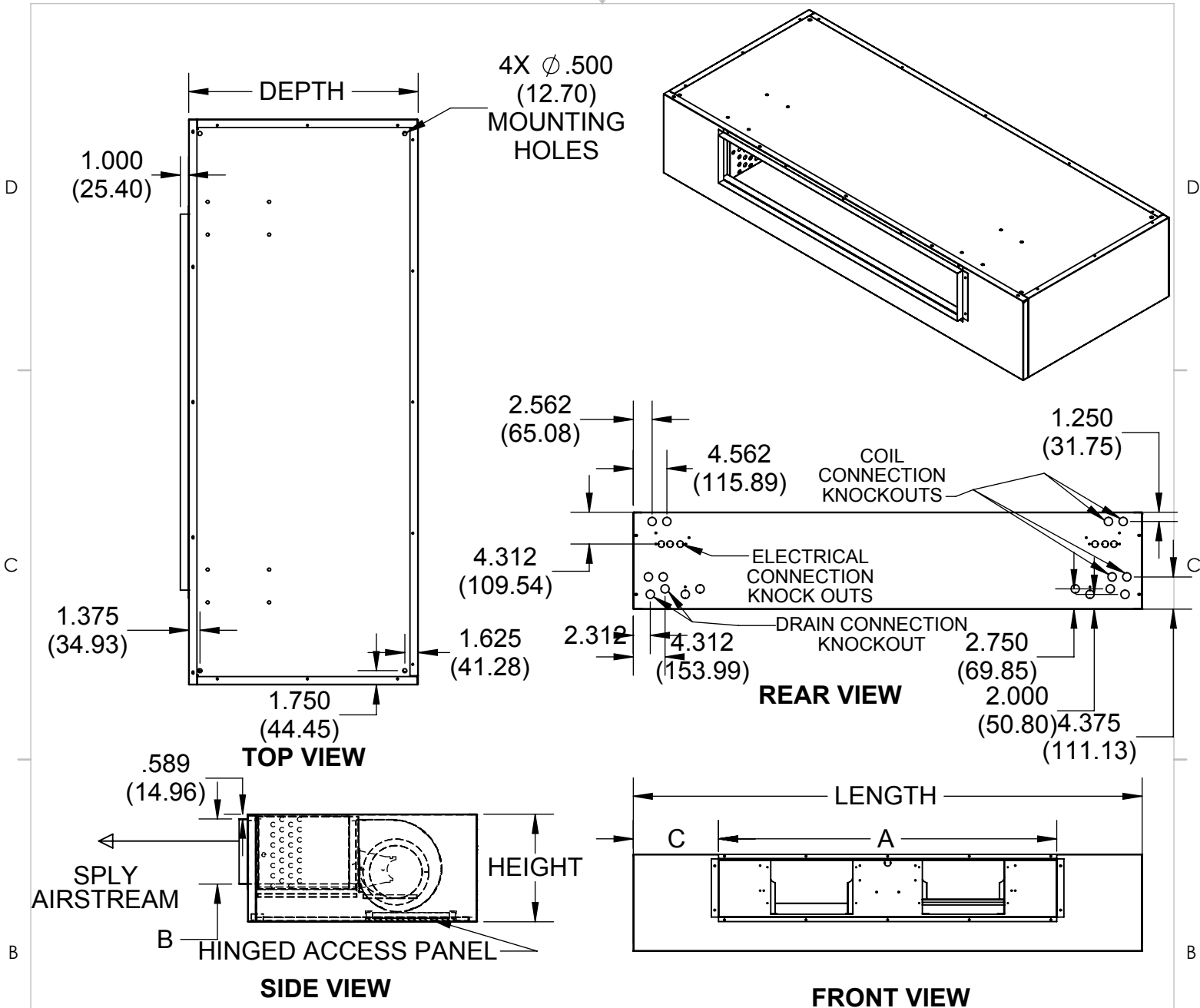


REAR VIEW (COIL CONNECTIONS)

6" HANDED & 6" OPPOSITE CABINET EXTENSION & EXTENDED DRAIN PAN

RIGHT HAND SHOWN

MODEL	A	B	C	D	E	F	G	H	J	K	L	M	FILTER SIZES
LH002-003	11 3/8	55	24	21 1/8	52	18 3/8	6 1/4	18 1/4	29	8 1/2	2 5/8	7	(1) 8X30X1
LH004	11 3/8	55	24	21	52	15 3/8	6 1/4	24 1/4	29	8 1/2	2 1/2	7	(1) 8X30X1
LH006	12 3/8	65	28	25	62	17 3/8	6 1/4	30 1/4	39	8 1/2	2	9	(2) 10X20X1
LH008	12 3/8	65	28	25	62	17 3/8	7 3/4	30 1/4	39	8 1/2	2	9	(2) 10X20X1
LH010	12 3/8	73	28	25	70	18 3/8	7 3/4	36 1/4	49	8	2	9	(2) 10X25X1
LH012	12 3/8	73	28	25	70	15 3/8	7 3/4	42 1/4	49	8	2	9	(2) 10X25X1



IN (MM)

6" HANDED & 6" OPPOSITE CABINET EXTENTION & EXTENDED DRAIN PAN

OVERALL				SUPPLY DUCT			BLOWERS	FILTER SIZE
UNIT SIZE	LENGTH	HEIGHT	DEPTH	A	B	C		
002-003	59	11.38	24	18.25	6.38	20.38	1	(2) 11x20x 1
MM	1498.60	289.05	609.60	463.55	162.05	517.65		
004	59	11.38	24	24.25	6.38	17.38	2	(2) 11x20x 1
MM	1498.60	289.05	609.60	615.95	162.05	441.45		
006	67	11.38	24	32.25	6.38	17.38	2	(2) 11x24x 1
MM	1701.80	289.05	609.60	819.15	162.05	441.45		
008	67	13.13	28	32.25	8	17.38	2	(2) 11x24x 1
MM	1701.80	333.50	711.20	819.15	203.20	441.45		
010	81	13.13	28	38.25	8	21.38	2	(2) 11x27x 1
MM	2057.40	333.50	711.20	971.55	203.20	543.05		
012	81	13.13	28	46.25	8	17.38	2	(2) 11x27x 1
MM	2057.40	333.50	711.20	1174.75	203.20	441.45		

RIGHT HAND SHOWN

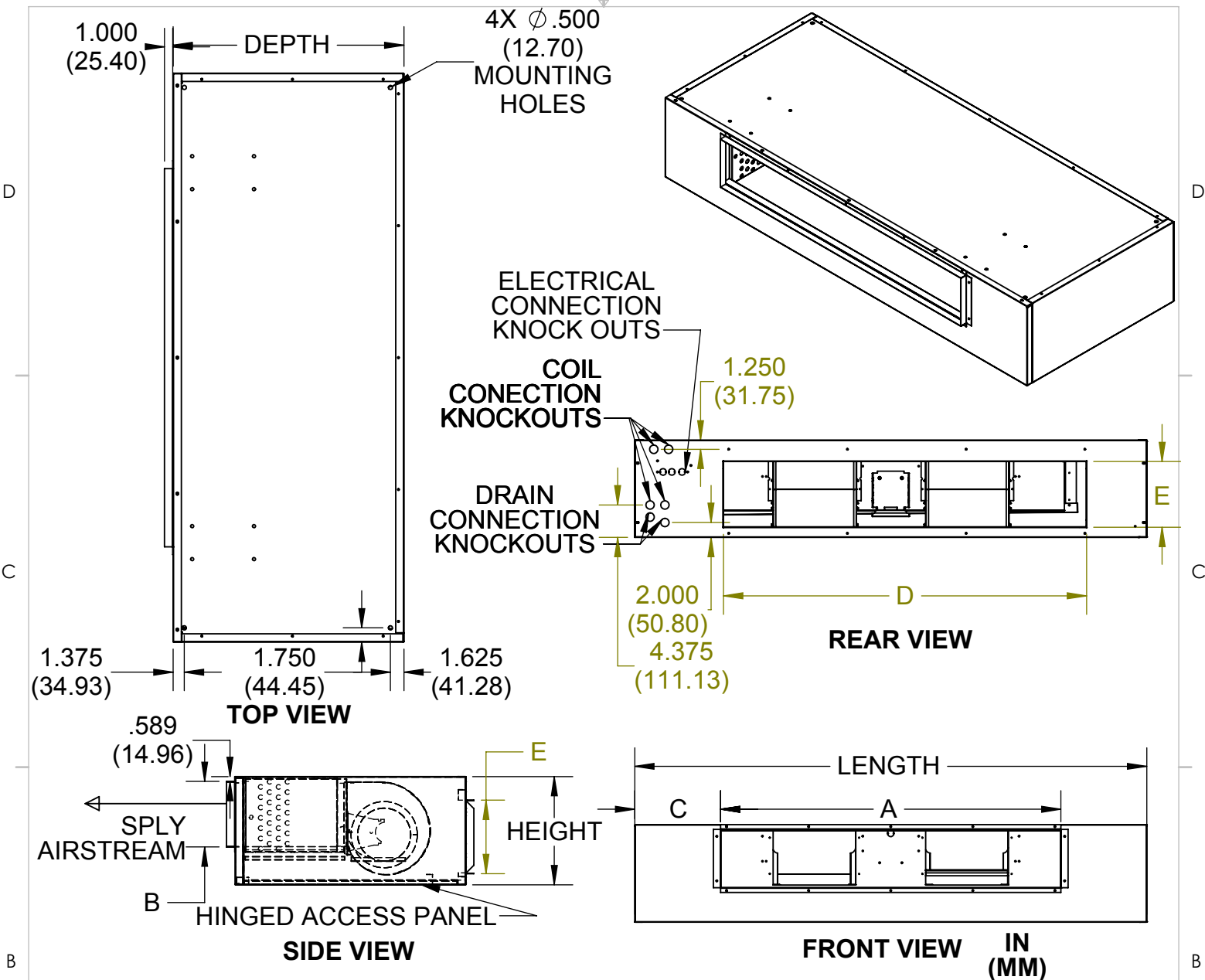
PROPRIETARY AND CONFIDENTIAL
 THE INFORMATION CONTAINED IN THIS DOCUMENT IS THE SOLE PROPERTY OF WILLIAMS FURNACE COMPANY. ANY REPRODUCTION IN PART OR AS A WHOLE WITHOUT THE WRITTEN PERMISSION OF WILLIAMS FURNACE COMPANY IS PROHIBITED.

TITLE:
 LH.Deluxe
 Unit Revision Level B

DWG. NO.
 D107710

REV
 B

DRAWING NOT TO SCALE



RIGHT HAND SHOWN

6" HANDED & 6" OPPOSITE CABINET EXTENSION & EXTENDED DRAIN PAN

OVERALL				SUPPLY DUCT			RETURN DUCT		BLOWERS	FILTER SIZE
UNIT SIZE	LENGTH	HEIGHT	DEPTH	A	B	C	D	E		
002-003	59	11.38	24	18.25	6.38	20.38	29	7	1	(2) 11x20x1
MM	1498.60	289.05	609.60	463.55	162.05	517.65	736.60	177.80		
004	59	11.38	24	24.25	6.38	17.38	29	7	2	(2) 11x20x1
MM	1498.60	289.05	609.60	615.95	162.05	441.45	736.60	177.80		
006	67	11.38	24	32.25	6.38	17.38	39	7	2	(2) 11x24x1
MM	1701.80	289.05	609.60	819.15	162.05	441.45	990.60	177.80		
008	67	13.13	28	32.25	8	17.38	39	9	2	(2) 11x24x1
MM	1701.80	333.50	711.20	819.15	203.20	441.45	990.60	228.60		
010	81	13.13	28	38.25	8	21.38	49	9	2	(2) 11x27x1
MM	2057.40	333.50	711.20	971.55	203.20	543.05	1244.60	228.60		
012	81	13.13	28	46.25	8	17.38	49	9	2	(2) 11x27x1
MM	2057.40	333.50	711.20	1174.75	203.20	441.45	1244.60	228.60		

PROPRIETARY AND CONFIDENTIAL
 THE INFORMATION CONTAINED IN THIS DOCUMENT IS THE SOLE
 PROPERTY OF WILLIAMS FURNACE COMPANY. ANY REPRODUCTION
 IN PART OR AS A WHOLE WITHOUT THE WRITTEN PERMISSION OF
 WILLIAMS FURNACE COMPANY IS PROHIBITED.

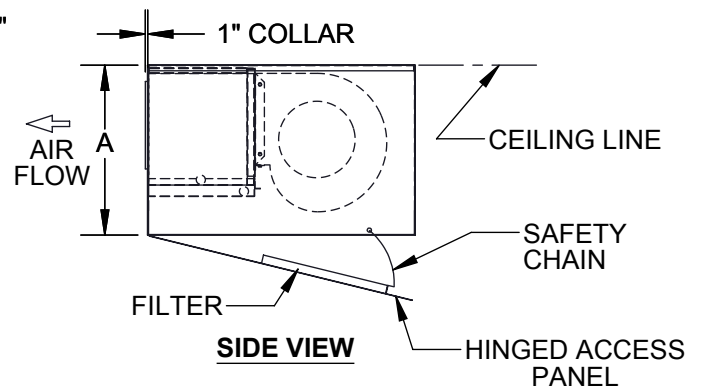
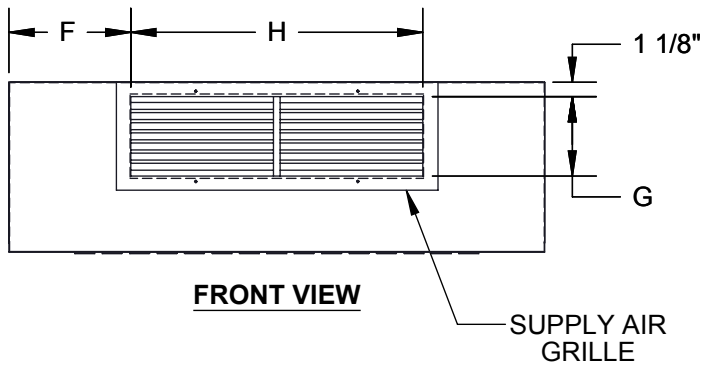
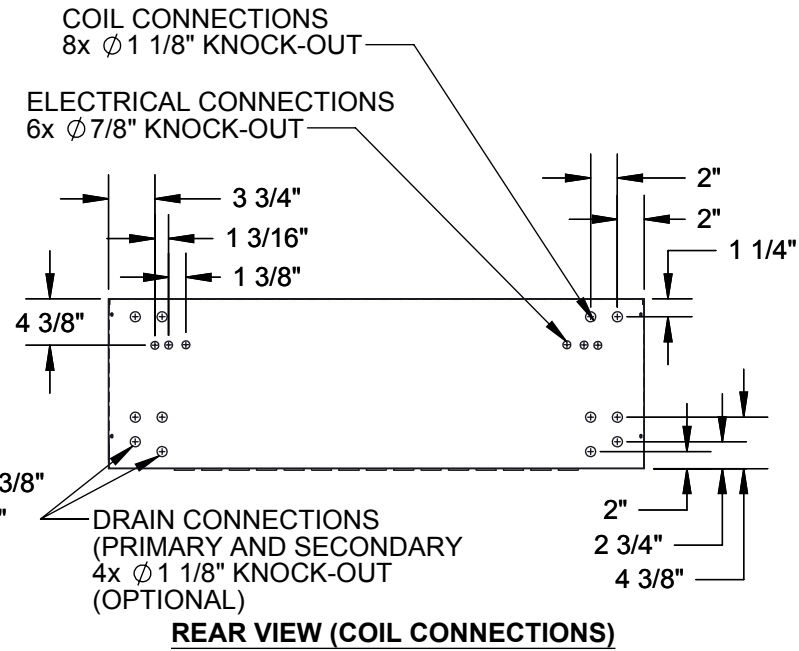
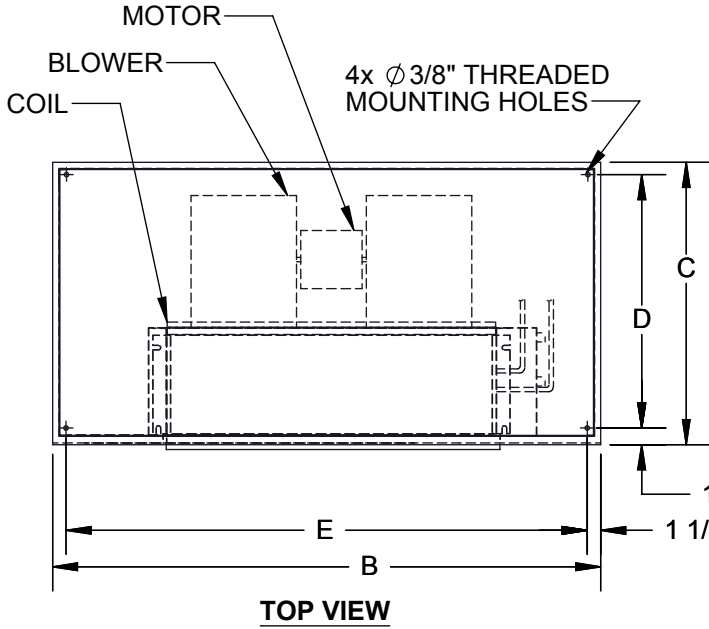
TITLE:

LH.Deluxe
 Unit Revision Level B

DWG. NO.
 D107559

REV
 B

DRAWING NOT TO SCALE

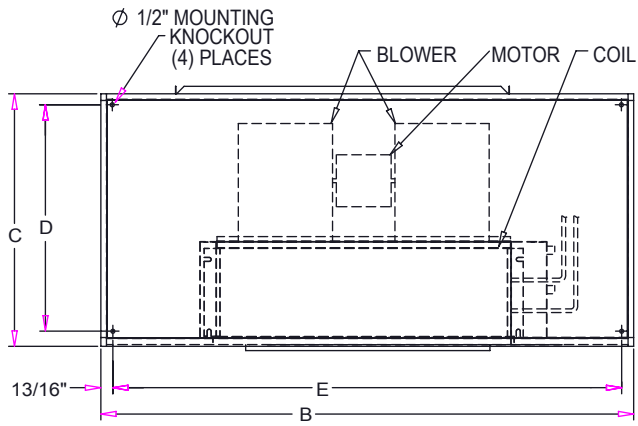


6" HANDED & 8" OPPOSITE CABINET EXTENTION & EXTENDED DRAIN PAN RIGHT HAND SHOWN

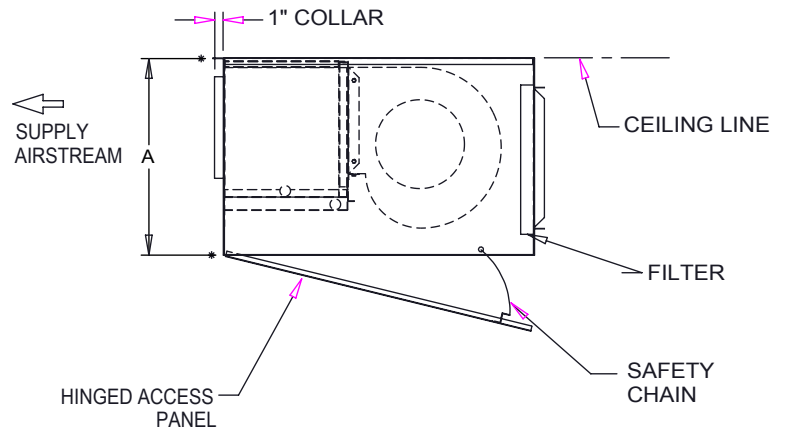
MODEL	A	B	C	D	E	F	G	H	BLOWER QTY	FILTER SIZE
200-300	11 3/8"	57"	24"	21"	54"	20 3/8"	6 1/4"	18 1/4"	1	(2) 11x20x1
400	11 3/8"	57"	24"	21"	54"	17 3/8"	6 1/4"	24 1/4"	2	(2) 11x20x1
600	12 3/8"	67"	28"	25"	64"	19 3/8"	6 1/4"	30 1/4"	2	(2) 11x24x1
800	12 3/8"	67"	28"	25"	64"	19 3/8"	7 3/4"	30 1/4"	2	(2) 11x24x1
1000	12 3/8"	75"	28"	25"	72"	20 3/8"	7 3/4"	36 1/4"	2	(2) 11x27x1
1200	12 3/8"	75"	28"	25"	72"	17 3/8"	7 3/4"	42 1/4"	2	(2) 11x27x1

DELUXE BOTTOM STAMPED
REV A

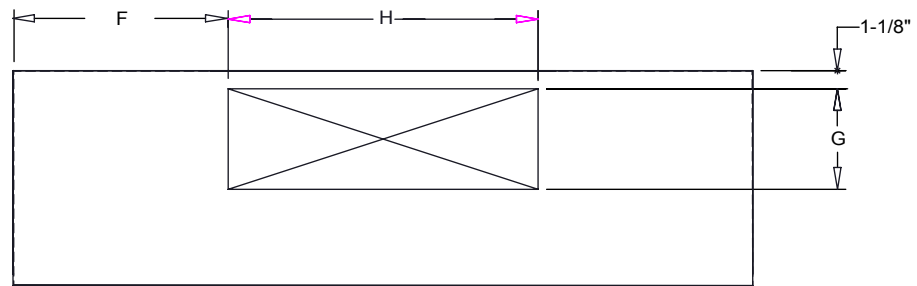
D107696



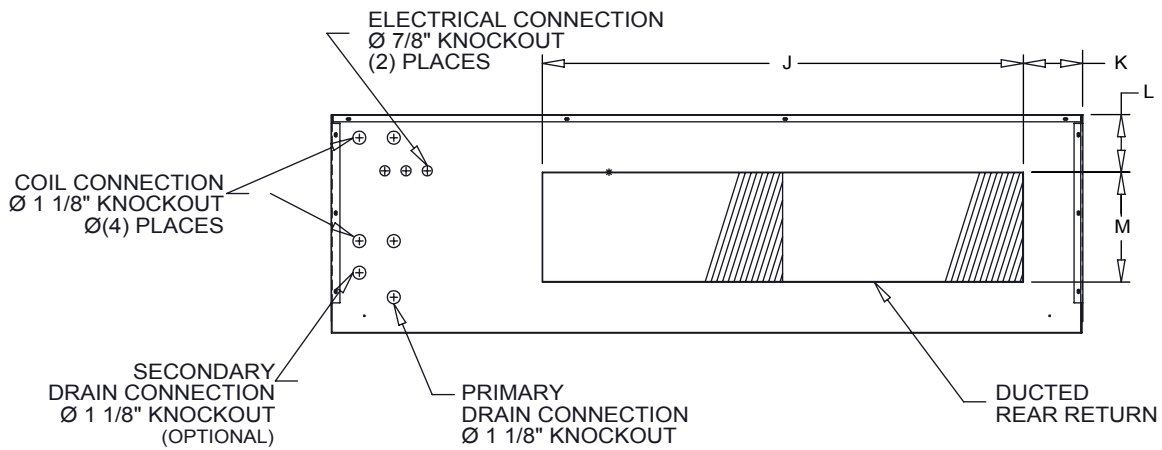
TOP VIEW



SIDE VIEW



FRONT VIEW

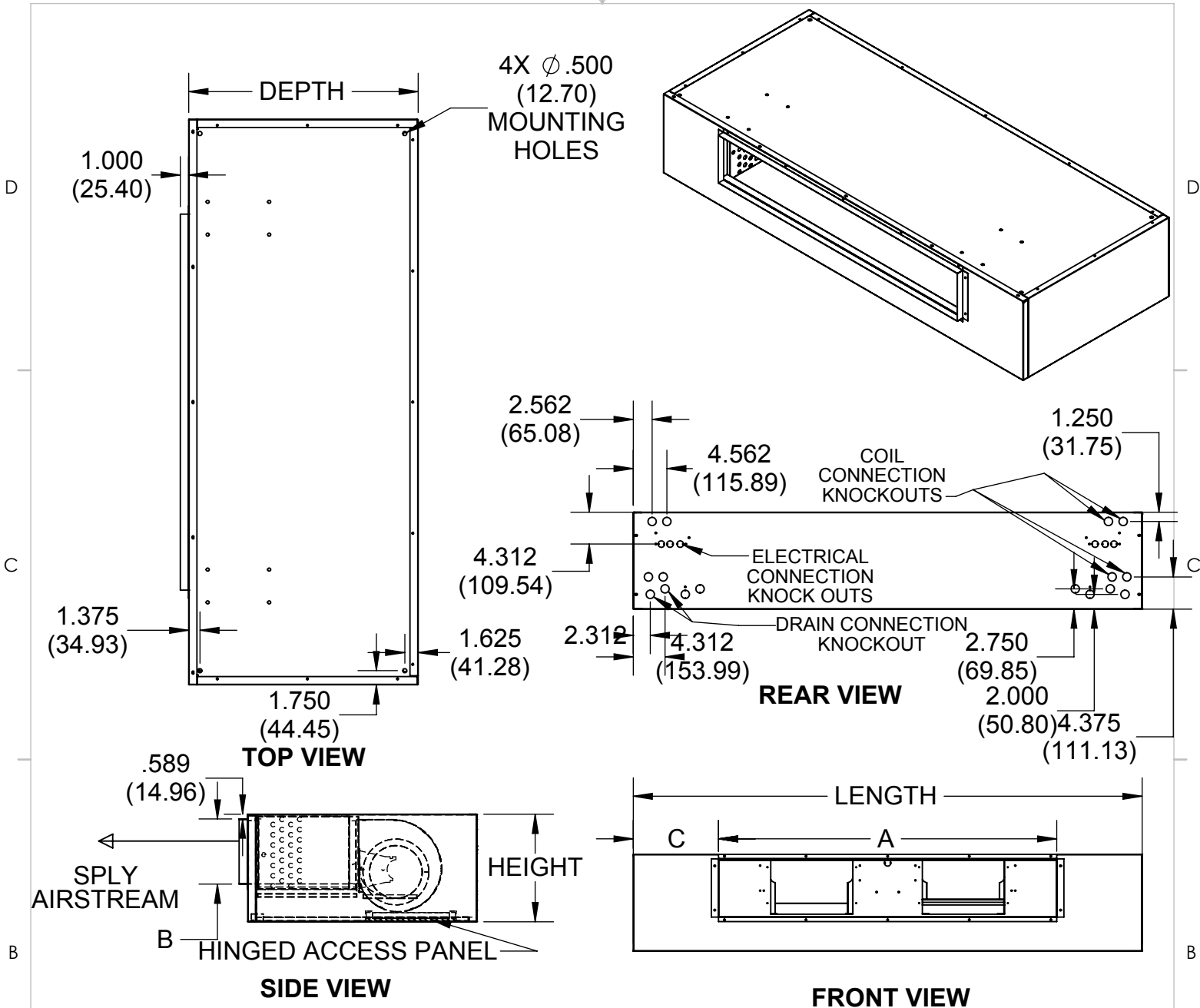


REAR VIEW (COIL CONNECTIONS)

6" HANDED & 8" OPPOSITE CABINET EXTENSION & EXTENDED DRAIN PAN

RIGHT HAND SHOWN

MODEL	A	B	C	D	E	F	G	H	J	K	L	M	FILTER SIZES
LH002-003	11 3/8	57	24	21 1/8	54	20 3/8	6 1/4	18 1/4	29	10 1/2	2 5/8	7	(1) 8X30X1
LH004	11 3/8	57	24	21	54	17 3/8	6 1/4	24 1/4	29	10 1/2	2 1/2	7	(1) 8X30X1
LH006	12 3/8	67	28	25	64	19 3/8	6 1/4	30 1/4	39	10 1/2	2	9	(2) 10X20X1
LH008	12 3/8	67	28	25	64	19 3/8	7 3/4	30 1/4	39	10 1/2	2	9	(2) 10X20X1
LH010	12 3/8	75	28	25	72	20 3/8	7 3/4	36 1/4	49	10	2	9	(2) 10X25X1
LH012	12 3/8	75	28	25	72	17 3/8	7 3/4	42 1/4	49	10	2	9	(2) 10X25X1



6" HANDED & 8" OPPOSITE CABINET EXTENTION & EXTENDED DRAIN PAN

OVERALL				SUPPLY DUCT			BLOWERS	FILTER SIZE
UNIT SIZE	LENGTH	HEIGHT	DEPTH	A	B	C		
002-003	61	11.38	24	18.25	6.38	22.38	1	(2) 11x20x1
MM	1549.40	289.05	609.60	463.55	162.05	568.45		
004	61	11.38	24	24.25	6.38	19.38	2	(2) 11x20x1
MM	1549.40	289.05	609.60	615.95	162.05	492.25		
006	69	11.38	24	32.25	6.38	19.38	2	(2) 11x24x1
MM	1752.60	289.05	609.60	819.15	162.05	492.25		
008	69	13.13	28	32.25	8	19.38	2	(2) 11x24x1
MM	1752.60	333.50	711.20	819.15	203.20	492.25		
010	83	13.13	28	38.25	8	23.38	2	(2) 11x27x1
MM	2108.20	333.50	711.20	971.55	203.20	593.85		
012	83	13.13	28	46.25	8	19.38	2	(2) 11x27x1
MM	2108.20	333.50	711.20	1174.75	203.20	492.25		

RIGHT HAND SHOWN

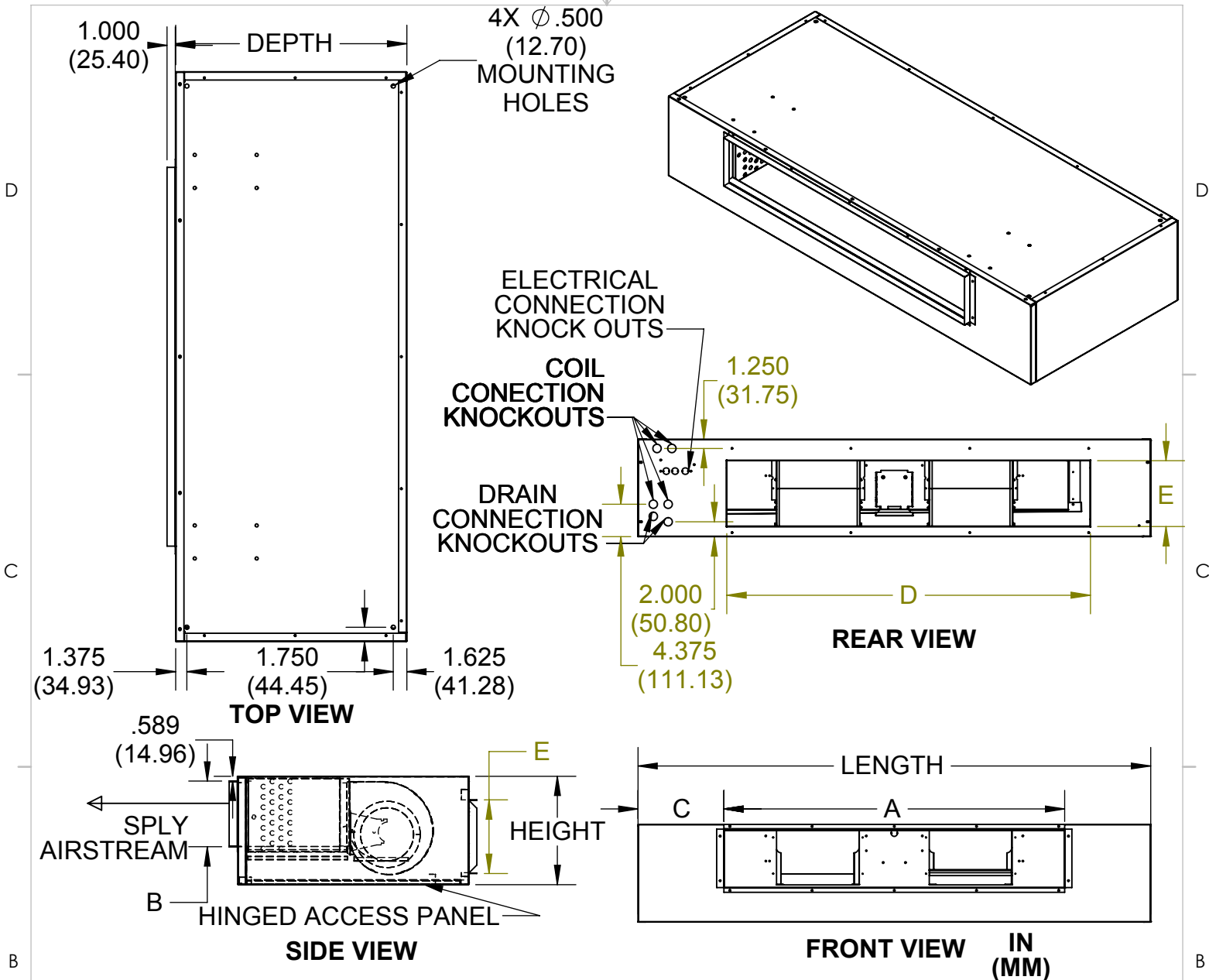
PROPRIETARY AND CONFIDENTIAL
 THE INFORMATION CONTAINED IN THIS DOCUMENT IS THE SOLE PROPERTY OF WILLIAMS FURNACE COMPANY. ANY REPRODUCTION IN PART OR AS A WHOLE WITHOUT THE WRITTEN PERMISSION OF WILLIAMS FURNACE COMPANY IS PROHIBITED.

TITLE:
 LH.Deluxe
 Unit Revision Level B

DWG. NO.
 D107711

REV
 B

DRAWING NOT TO SCALE



6" HANDED & 8" OPPOSITE CABINET EXTENSION & EXTENDED DRAIN PAN

OVERALL				SUPPLY DUCT			RETURN DUCT			BLOWERS	FILTER SIZE
UNIT SIZE	LENGTH	HEIGHT	DEPTH	A	B	C	D	E			
002-003	61	11.38	24	18.25	6.38	22.38	29	7	1	(2) 11x20x1	
MM	1549.40	289.05	609.60	463.55	162.05	568.45	736.60	177.80			
004	61	11.38	24	24.25	6.38	19.38	29	7	2	(2) 11x20x1	
MM	1549.40	289.05	609.60	615.95	162.05	492.25	736.60	177.80			
006	69	11.38	24	32.25	6.38	19.38	39	7	2	(2) 11x24x1	
MM	1752.60	289.05	609.60	819.15	162.05	492.25	990.60	177.80			
008	69	13.13	28	32.25	8	19.38	39	9	2	(2) 11x24x1	
MM	1752.60	333.50	711.20	819.15	203.20	492.25	990.60	228.60			
010	83	13.13	28	38.25	8	23.38	49	9	2	(2) 11x27x1	
MM	2108.20	333.50	711.20	971.55	203.20	593.85	1244.60	228.60			
012	83	13.13	28	46.25	8	19.38	49	9	2	(2) 11x27x1	
MM	2108.20	333.50	711.20	1174.75	203.20	492.25	1244.60	228.60			

PROPRIETARY AND CONFIDENTIAL
 THE INFORMATION CONTAINED IN THIS DOCUMENT IS THE SOLE PROPERTY OF WILLIAMS FURNACE COMPANY. ANY REPRODUCTION IN PART OR AS A WHOLE WITHOUT THE WRITTEN PERMISSION OF WILLIAMS FURNACE COMPANY IS PROHIBITED.

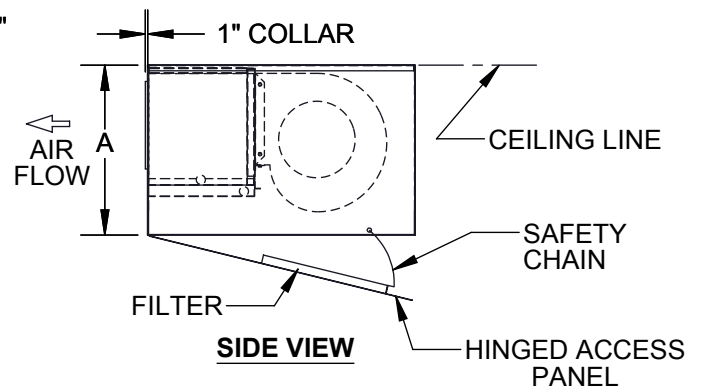
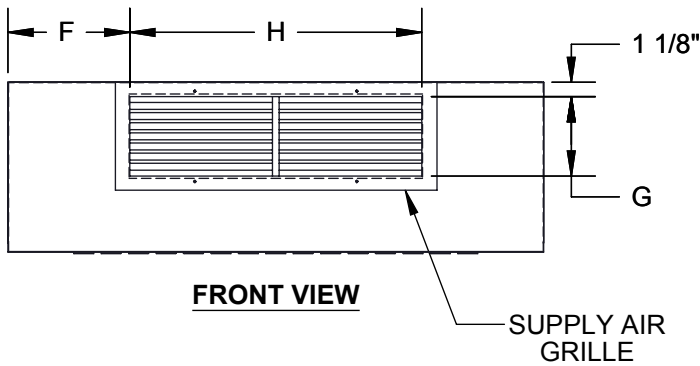
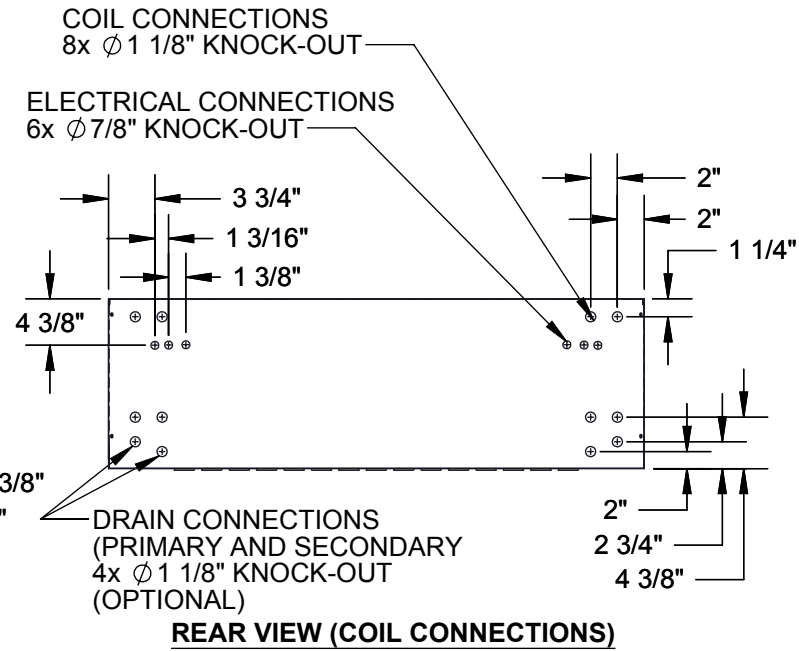
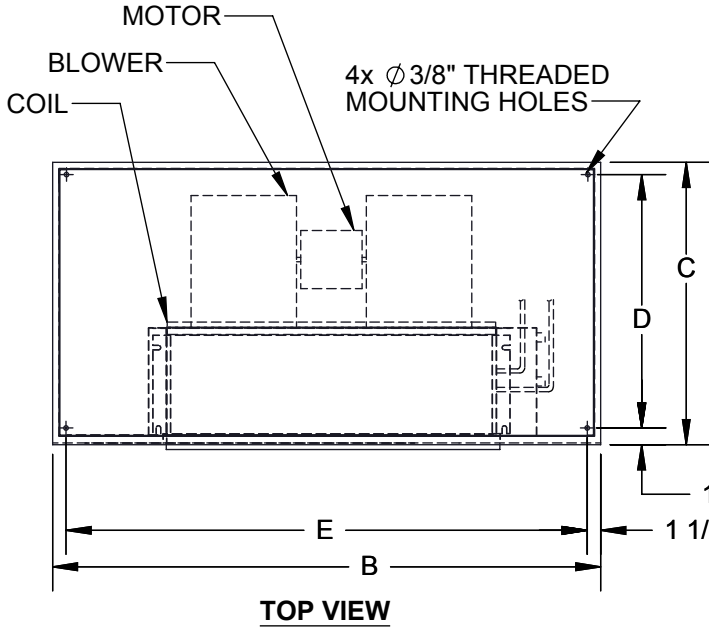
TITLE:

LH.Deluxe
 Unit Revision Level B

DWG. NO.
 D107560

REV
 B

DRAWING NOT TO SCALE

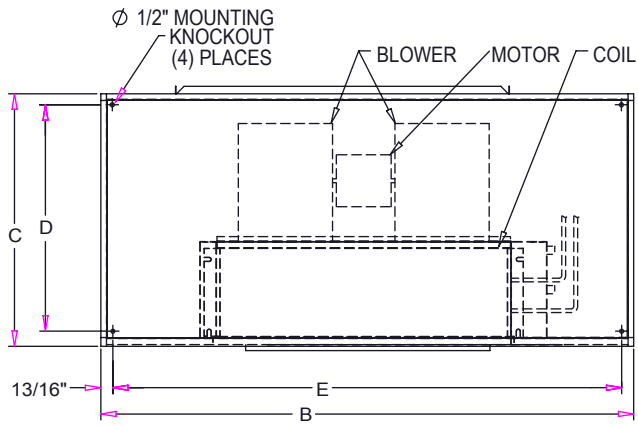


6" HANDED & 10" OPPOSITE CABINET EXTENSION & EXTENDED DRAIN PAN RIGHT HAND SHOWN

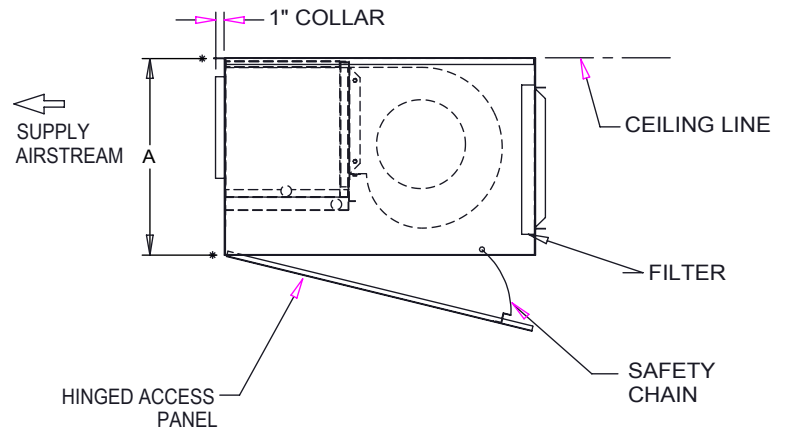
MODEL	A	B	C	D	E	F	G	H	BLOWER QTY	FILTER SIZE
200-300	11 3/8	59	24	21	56	22 3/8	6 1/4	18 1/4	1	(2) 11x20x1
400	11 3/8	59	24	21	56	19 3/8	6 1/4	24 1/4	2	(2) 11x20x1
600	12 3/8	69	28	25	66	21 3/8	6 1/4	30 1/4	2	(2) 11x24x1
800	12 3/8	69	28	25	66	21 3/8	7 3/4	30 1/4	2	(2) 11x24x1
1000	12 3/8	77	28	25	74	22 3/8	7 3/4	36 1/4	2	(2) 11x27x1
1200	12 3/8	77	28	25	74	19 3/8	7 3/4	42 1/4	2	(2) 11x27x1

DELUXE BOTTOM STAMPED
REV A

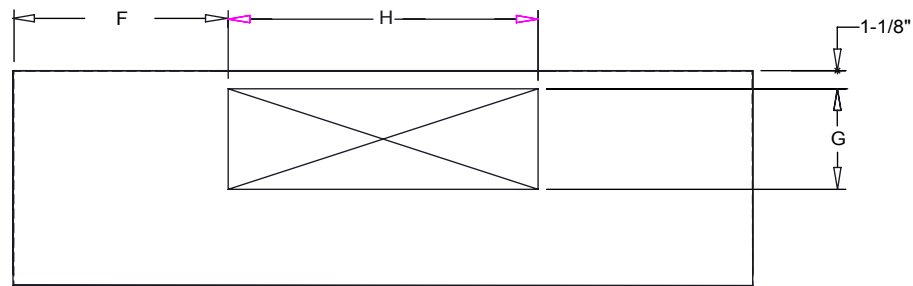
D107697



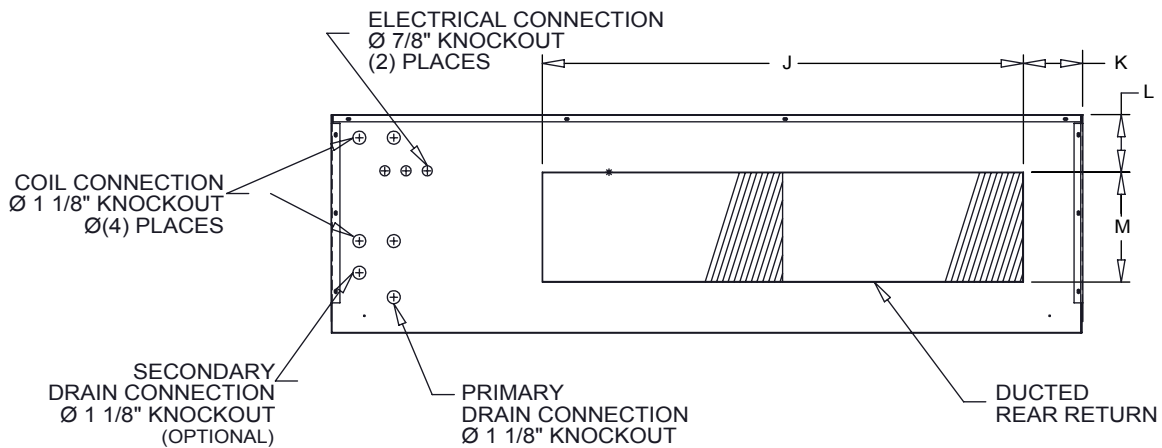
TOP VIEW



SIDE VIEW



FRONT VIEW



REAR VIEW (COIL CONNECTIONS)

6" HANDED & 10" OPPOSITE CABINET EXTENSION & EXTENDED DRAIN PAN

RIGHT HAND SHOWN

MODEL	A	B	C	D	E	F	G	H	J	K	L	M	FILTER SIZES
LH002-003	11 3/8	59	24	21 1/8	56	22 3/8	6 1/4	18 1/4	29	12 1/2	2 5/8	7	(1) 8X30X1
LH004	11 3/8	59	24	21	56	19 3/8	6 1/4	24 1/4	29	12 1/2	2 1/2	7	(1) 8X30X1
LH006	12 3/8	69	28	25	66	21 3/8	6 1/4	30 1/4	39	12 1/2	2	9	(2) 10X20X1
LH008	12 3/8	69	28	25	66	21 3/8	7 3/4	30 1/4	39	12 1/2	2	9	(2) 10X20X1
LH010	12 3/8	77	28	25	74	22 3/8	7 3/4	36 1/4	49	12	2	9	(2) 10X25X1
LH012	12 3/8	77	28	25	74	19 3/8	7 3/4	42 1/4	49	12	2	9	(2) 10X25X1

2 1

4X Ø.500 (12.70) MOUNTING HOLES

DEPTH

1.000 (25.40)

1.375 (34.93)

1.750 (44.45)

2.562 (65.08)

4.562 (115.89)

1.250 (31.75)

4.312 (109.54)

2.312

4.312 (153.99)

2.750 (69.85)

2.000 (50.80)

4.375 (111.13)

COIL CONNECTION KNOCKOUTS

ELECTRICAL CONNECTION KNOCK OUTS

DRAIN CONNECTION KNOCKOUT

REAR VIEW

TOP VIEW

.589 (14.96)

SPLY AIRSTREAM

HINGED ACCESS PANEL

HEIGHT

LENGTH

C

A

FRONT VIEW

IN (MM)

6" HANDED & 10" OPPOSITE CABINET EXTENTION & EXTENDED DRAIN PAN

OVERALL				SUPPLY DUCT			BLOWERS	FILTER SIZE
UNIT SIZE	LENGTH	HEIGHT	DEPTH	A	B	C		
002-003	63	11.38	24	18.25	6.38	24.38	1	(2) 11x20x1
MM	1600.20	289.05	609.60	463.55	162.05	619.25		
004	63	11.38	24	24.25	6.38	21.38	2	(2) 11x20x1
MM	1600.20	289.05	609.60	615.95	162.05	543.05		
006	71	11.38	24	32.25	6.38	21.38	2	(2) 11x24x1
MM	1803.40	289.05	609.60	819.15	162.05	543.05		
008	71	13.13	28	32.25	8	21.38	2	(2) 11x24x1
MM	1803.40	333.50	711.20	819.15	203.20	543.05		
010	85	13.13	28	38.25	8	25.38	2	(2) 11x27x1
MM	2159.00	333.50	711.20	971.55	203.20	644.65		
012	85	13.13	28	46.25	8	21.38	2	(2) 11x27x1
MM	2159.00	333.50	711.20	1174.75	203.20	543.05		

RIGHT HAND SHOWN

PROPRIETARY AND CONFIDENTIAL
 THE INFORMATION CONTAINED IN THIS DOCUMENT IS THE SOLE PROPERTY OF WILLIAMS FURNACE COMPANY. ANY REPRODUCTION IN PART OR AS A WHOLE WITHOUT THE WRITTEN PERMISSION OF WILLIAMS FURNACE COMPANY IS PROHIBITED.

TITLE:
 LH.Deluxe
 Unit Revision Level B

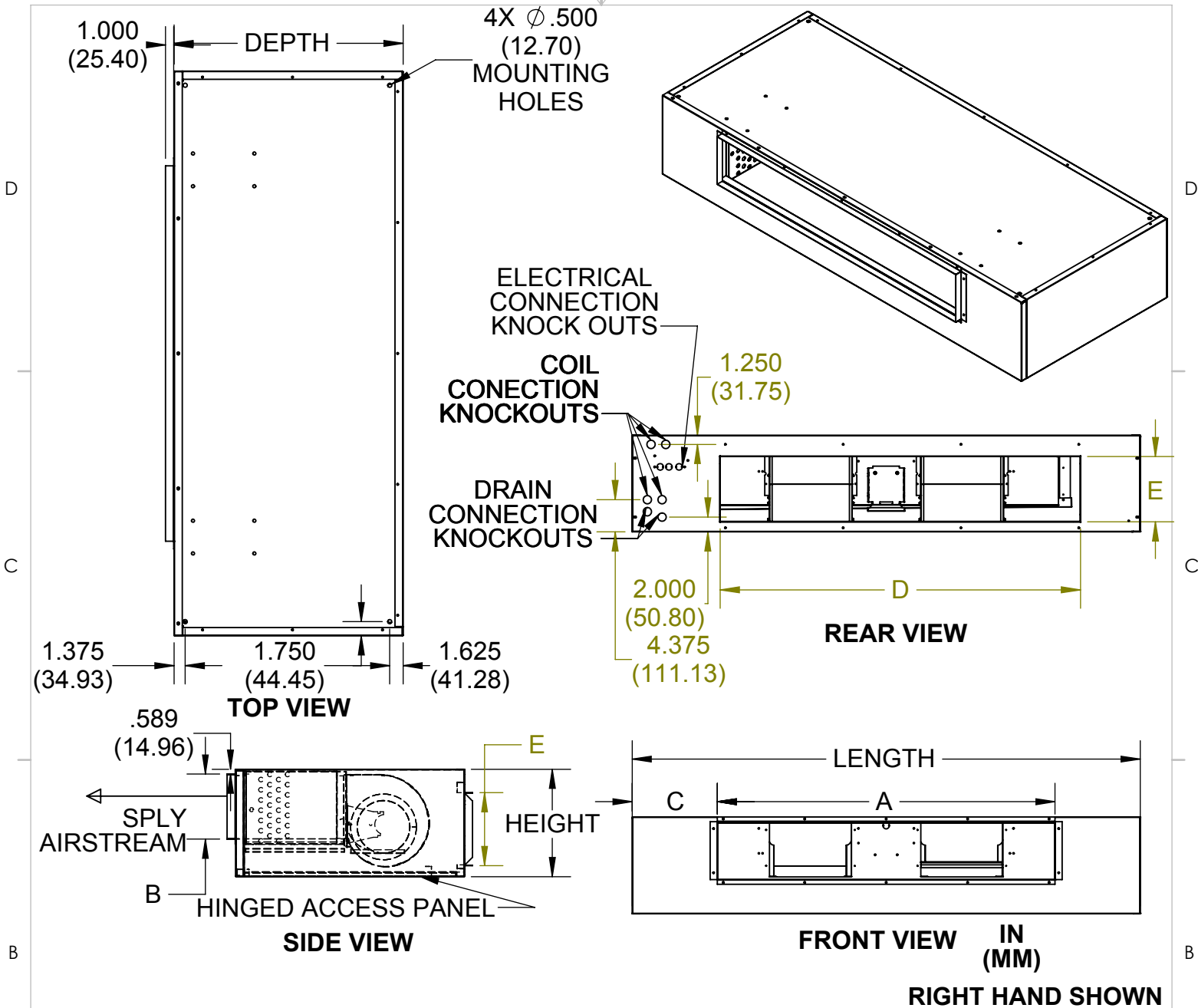
DWG. NO.
 D107712

REV
 B

DRAWING NOT TO SCALE

2 1

SHEET 1 OF 1



6" HANDED & 10" OPPOSITE CABINET EXTENSION & EXTENDED DRAIN PAN

UNIT SIZE	OVERALL			SUPPLY DUCT			RETURN DUCT			BLOWERS	FILTER SIZE
	LENGTH	HEIGHT	DEPTH	A	B	C	D	E			
002-003	63	11.38	24	18.25	6.38	24.38	29	7	1	(2) 11x20x1	
MM	1600.20	289.05	609.60	463.55	162.05	619.25	736.60	177.80			
004	63	11.38	24	24.25	6.38	21.38	29	7	2	(2) 11x20x1	
MM	1600.20	289.05	609.60	615.95	162.05	543.05	736.60	177.80			
006	71	11.38	24	32.25	6.38	21.38	39	7	2	(2) 11x24x1	
MM	1803.40	289.05	609.60	819.15	162.05	543.05	990.60	177.80			
008	71	13.13	28	32.25	8	21.38	39	9	2	(2) 11x24x1	
MM	1803.40	333.50	711.20	819.15	203.20	543.05	990.60	228.60			
010	85	13.13	28	38.25	8	25.38	49	9	2	(2) 11x27x1	
MM	2159.00	333.50	711.20	971.55	203.20	644.65	1244.60	228.60			
012	85	13.13	28	46.25	8	21.38	49	9	2	(2) 11x27x1	
MM	2159.00	333.50	711.20	1174.75	203.20	543.05	1244.60	228.60			

PROPRIETARY AND CONFIDENTIAL
 THE INFORMATION CONTAINED IN THIS DOCUMENT IS THE SOLE
 PROPERTY OF WILLIAMS FURNACE COMPANY. ANY REPRODUCTION
 IN PART OR AS A WHOLE WITHOUT THE WRITTEN PERMISSION OF
 WILLIAMS FURNACE COMPANY IS PROHIBITED.

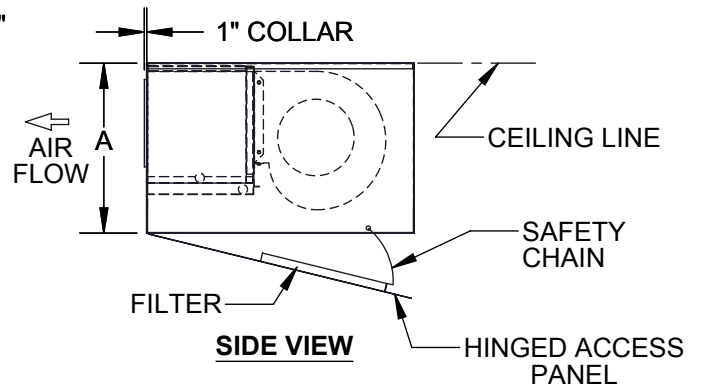
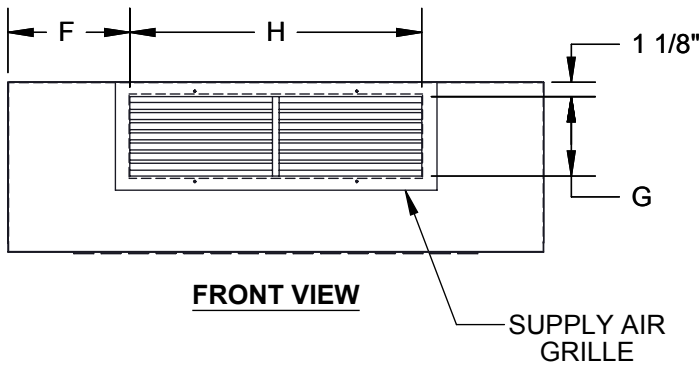
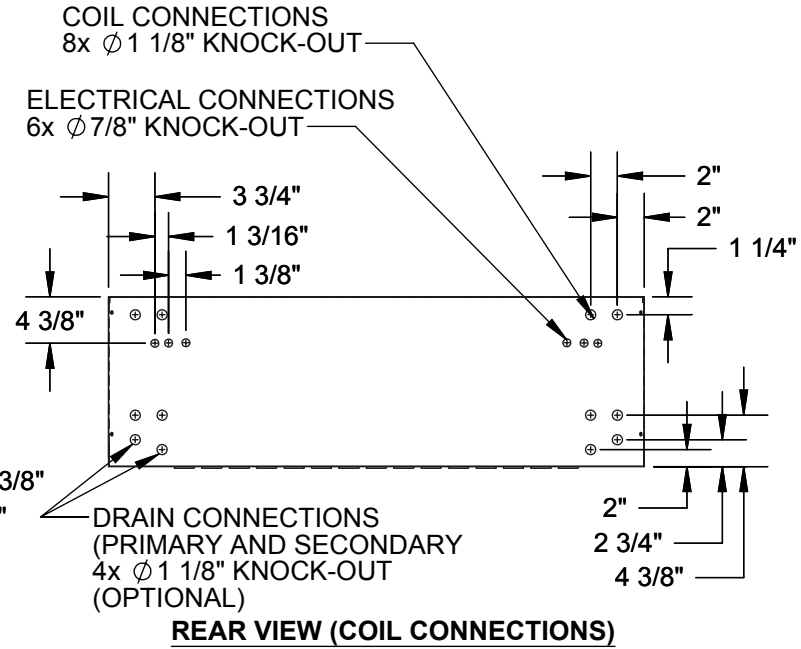
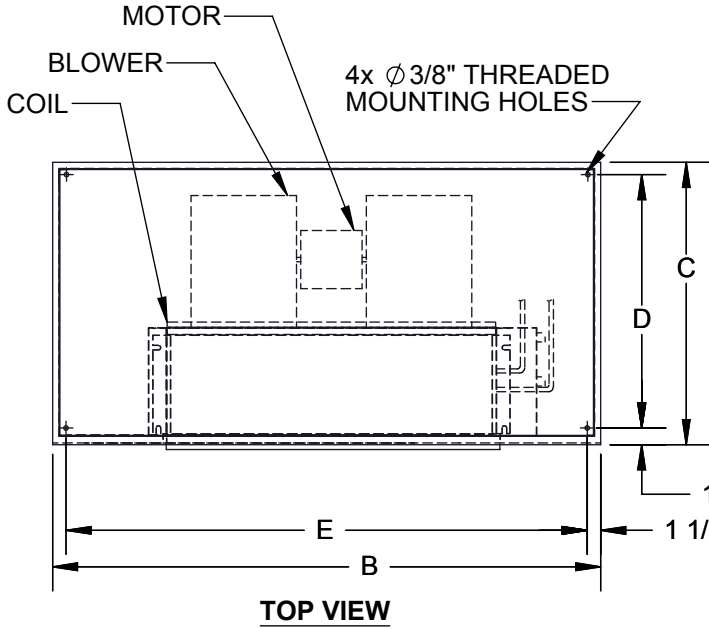
TITLE:

LH.Deluxe
 Unit Revision Level B

DWG. NO.
 D107561

REV
 B

DRAWING NOT TO SCALE

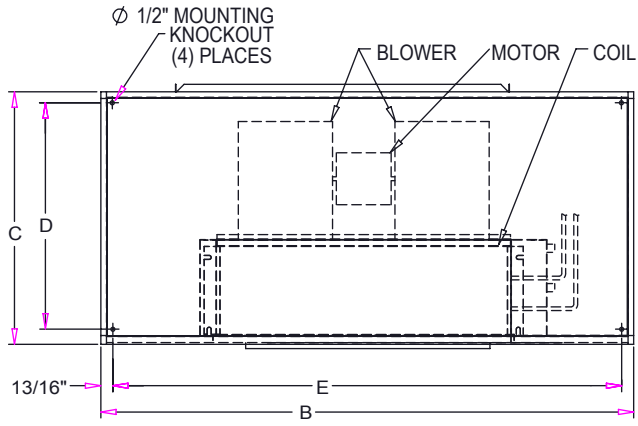


6" HANDED SIDE CABINET EXTENDED DRAIN PAN RIGHT HAND SHOWN

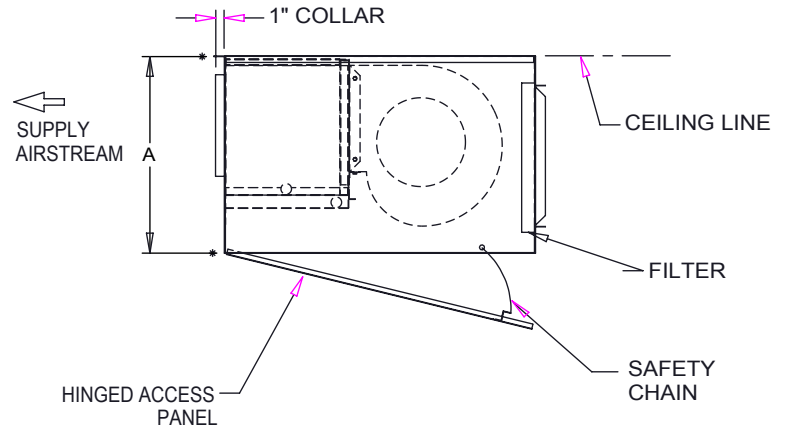
MODEL	A	B	C	D	E	F	G	H	BLOWER QTY	FILTER SIZE
200-300	11 3/8	49	24	21	46	12 3/8	6 1/4	18 1/4	1	(2) 11x20x1
400	11 3/8	49	24	21	46	9 3/8	6 1/4	24 1/4	2	(2) 11x20x1
600	12 3/8	59	28	25	56	11 3/8	6 1/4	30 1/4	2	(2) 11x24x1
800	12 3/8	59	28	25	56	11 3/8	7 3/4	30 1/4	2	(2) 11x24x1
1000	12 3/8	67	28	25	64	12 3/8	7 3/4	36 1/4	2	(2) 11x27x1
1200	12 3/8	67	28	25	64	9 3/8	7 3/4	42 1/4	2	(2) 11x27x1

DELUXE BOTTOM STAMPED
REV A

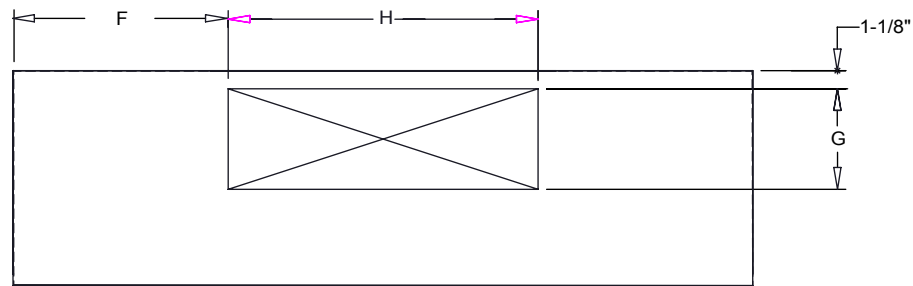
D107693



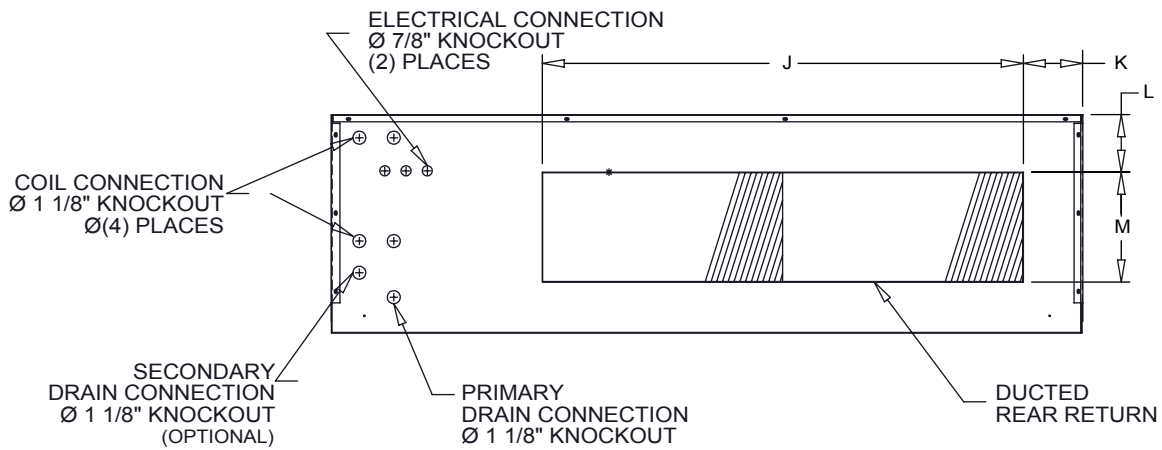
TOP VIEW



SIDE VIEW



FRONT VIEW

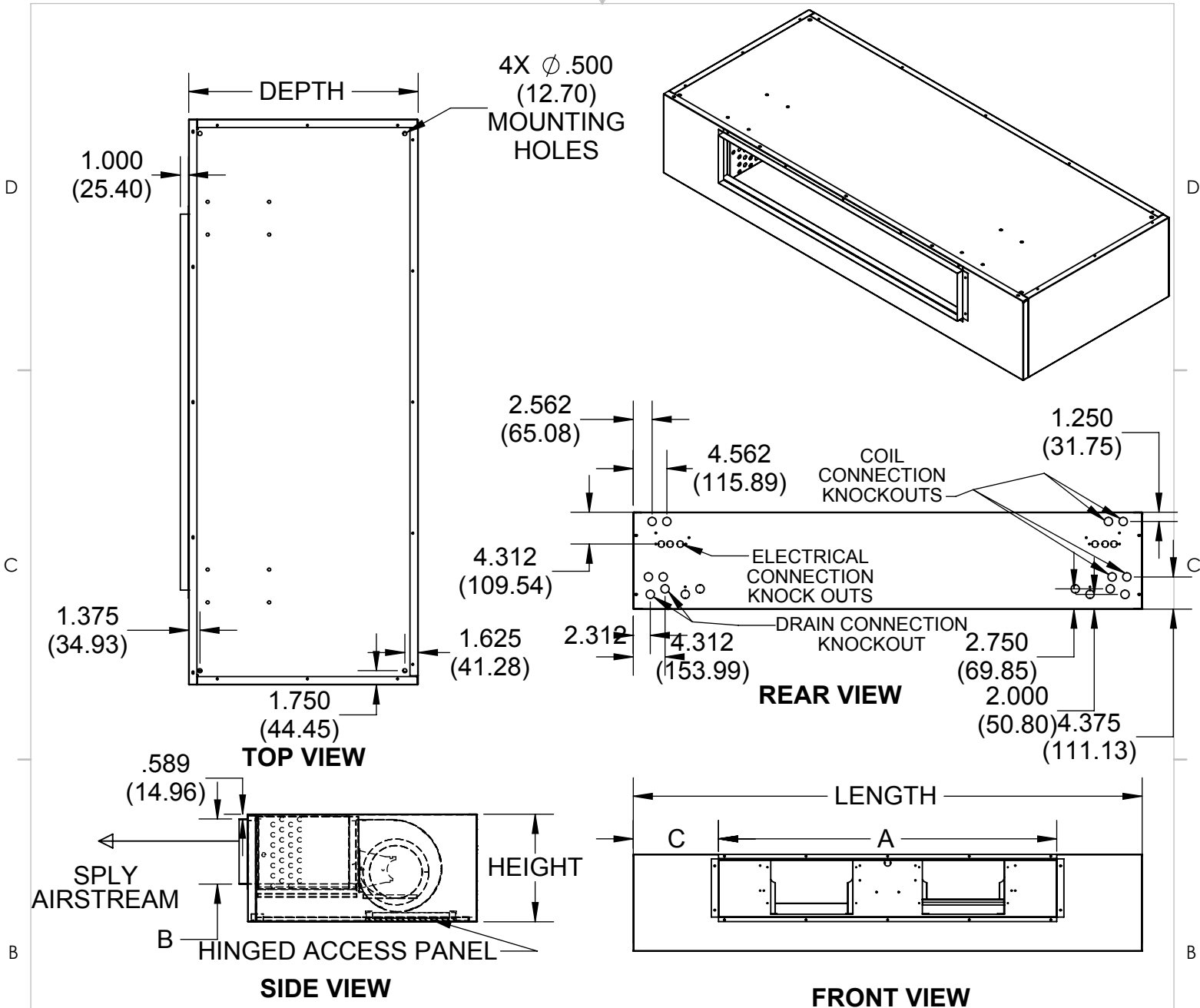


REAR VIEW (COIL CONNECTIONS)

6" HANDED SIDE CABINET EXTENSION WITH EXTENDED DRAIN PAN

RIGHT HAND SHOWN

MODEL	A	B	C	D	E	F	G	H	J	K	L	M	FILTER SIZES
LH002-003	11 3/8	49	24	21 1/8	46	12 3/8	6 1/4	18 1/4	29	2 1/2	2 5/8	7	(1) 8X30X1
LH004	11 3/8	49	24	21	46	9 3/8	6 1/4	24 1/4	29	2 1/2	2 1/2	7	(1) 8X30X1
LH006	12 3/8	59	28	25	56	11 3/8	6 1/4	30 1/4	39	2 1/2	2	9	(2) 10X20X1
LH008	12 3/8	59	28	25	56	11 3/8	7 3/4	30 1/4	39	2 1/2	2	9	(2) 10X20X1
LH010	12 3/8	67	28	25	64	12 3/8	7 3/4	36 1/4	49	2	2	9	(2) 10X25X1
LH012	12 3/8	67	28	25	64	9 3/8	7 3/4	42 1/4	49	2	2	9	(2) 10X25X1



IN (MM)

6" HANDED SIDE CABINET EXTENDED DRAIN PAN

OVERALL				SUPPLY DUCT			BLOWERS	FILTER SIZE
UNIT SIZE	LENGTH	HEIGHT	DEPTH	A	B	C		
002-003	53	11.38	24	18.25	6.38	14.38	1	(2) 11x20x 1
MM	1346.20	289.05	609.60	463.55	162.05	365.25		
004	53	11.38	24	24.25	6.38	11.38	2	(2) 11x20x 1
MM	1346.20	289.05	609.60	615.95	162.05	289.05		
006	61	11.38	24	32.25	6.38	11.38	2	(2) 11x24x 1
MM	1549.40	289.05	609.60	819.15	162.05	289.05		
008	61	13.13	28	32.25	8	11.38	2	(2) 11x24x 1
MM	1549.40	333.50	711.20	819.15	203.20	289.05		
010	75	13.13	28	38.25	8	15.38	2	(2) 11x27x 1
MM	1905.00	333.50	711.20	971.55	203.20	390.65		
012	75	13.13	28	46.25	8	11.38	2	(2) 11x27x 1
MM	1905.00	333.50	711.20	1174.75	203.20	289.05		

RIGHT HAND SHOWN

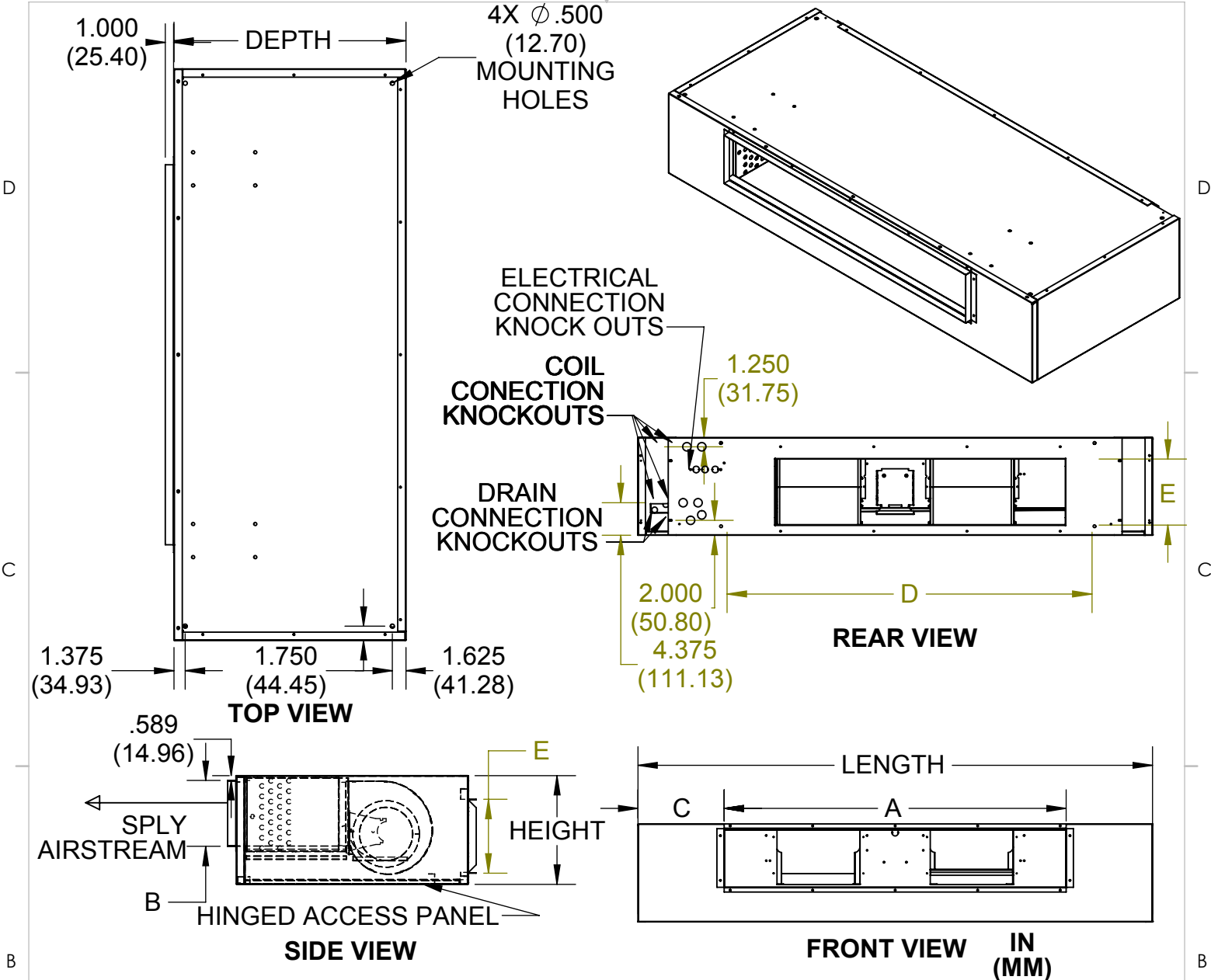
PROPRIETARY AND CONFIDENTIAL
 THE INFORMATION CONTAINED IN THIS DOCUMENT IS THE SOLE PROPERTY OF WILLIAMS FURNACE COMPANY. ANY REPRODUCTION IN PART OR AS A WHOLE WITHOUT THE WRITTEN PERMISSION OF WILLIAMS FURNACE COMPANY IS PROHIBITED.

TITLE:
 LH.Deluxe
 Unit Revision Level B

DWG. NO.
 D107708

REV
 B

DRAWING NOT TO SCALE



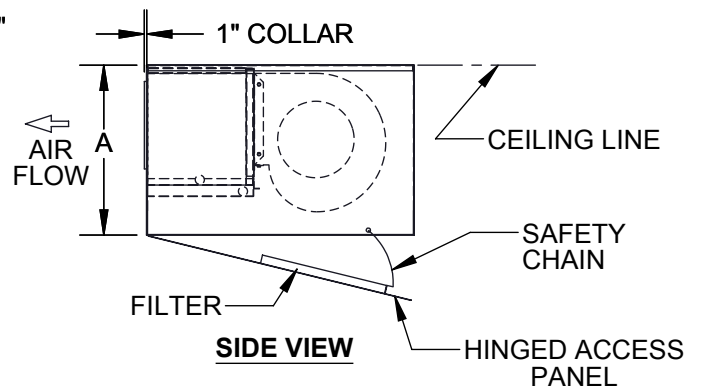
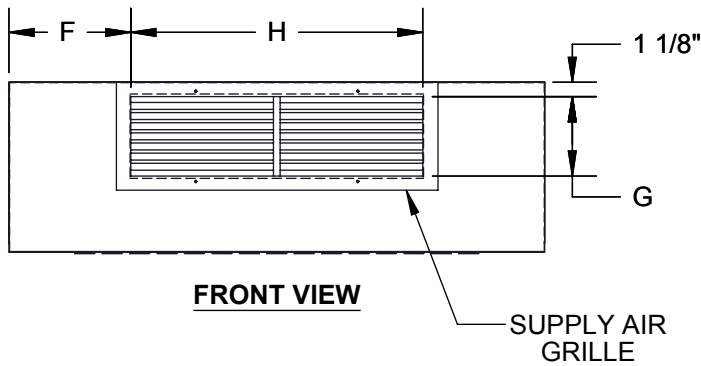
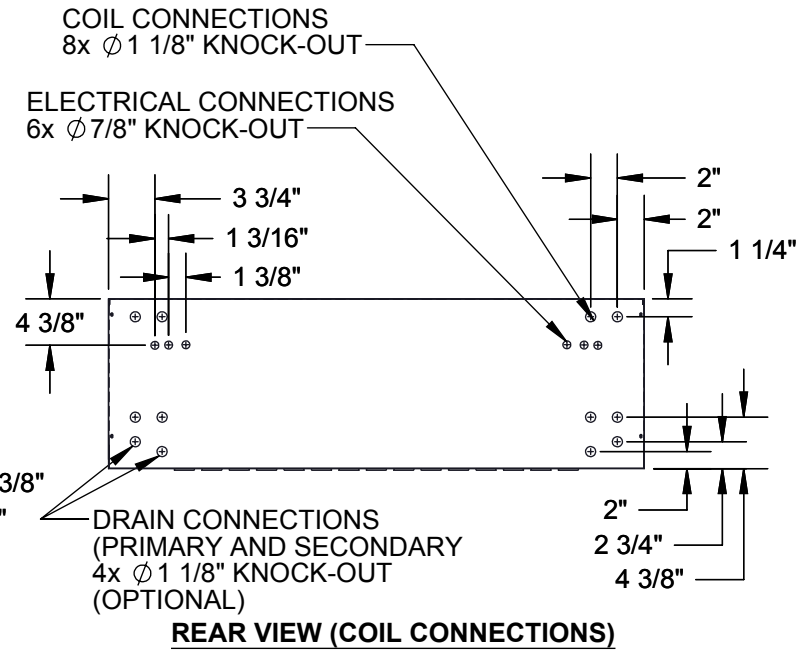
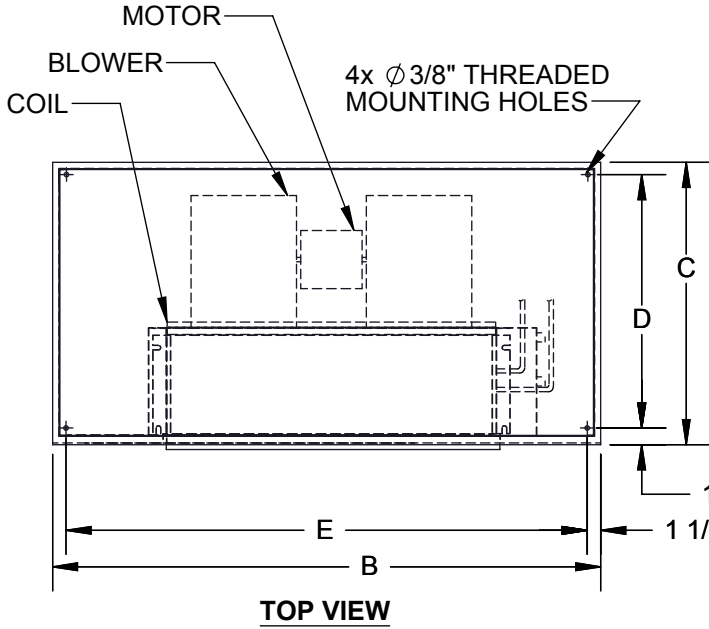
6" HANDED CABINET EXTENDED DRAIN PAN

OVERALL				SUPPLY DUCT			RETURN DUCT			BLOWERS	FILTER SIZE
UNIT SIZE	LENGTH	HEIGHT	DEPTH	A	B	C	D	E			
002-003	53	11.38	24	18.25	6.38	14.38	29	7	1	(2) 11x20x1	
MM	1346.20	289.05	609.60	463.55	162.05	365.25	736.60	177.80			
004	53	11.38	24	24.25	6.38	11.38	29	7	2	(2) 11x20x1	
MM	1346.20	289.05	609.60	615.95	162.05	289.05	736.60	177.80			
006	61	11.38	24	32.25	6.38	11.38	39	7	2	(2) 11x24x1	
MM	1549.40	289.05	609.60	819.15	162.05	289.05	990.60	177.80			
008	61	13.13	28	32.25	8.00	11.38	39	9	2	(2) 11x24x1	
MM	1549.40	333.50	711.20	819.15	203.20	289.05	990.60	228.60			
010	75	13.13	28	38.25	8.00	15.38	49	9	2	(2) 11x27x1	
MM	1905.00	333.50	711.20	971.55	203.20	390.65	1244.60	228.60			
012	75	13.13	28	46.25	8.00	11.38	49	9	2	(2) 11x27x1	
MM	1905.00	333.50	711.20	1174.75	203.20	289.05	1244.60	228.60			

RIGHT HAND SHOWN

<small>PROPRIETARY AND CONFIDENTIAL THE INFORMATION CONTAINED IN THIS DOCUMENT IS THE SOLE PROPERTY OF WILLIAMS FURNACE COMPANY. ANY REPRODUCTION IN PART OR AS A WHOLE WITHOUT THE WRITTEN PERMISSION OF WILLIAMS FURNACE COMPANY IS PROHIBITED.</small>	TITLE:	DWG. NO.	REV
	LH.Deluxe Unit Revision Level B	D107554	B

DRAWING NOT TO SCALE

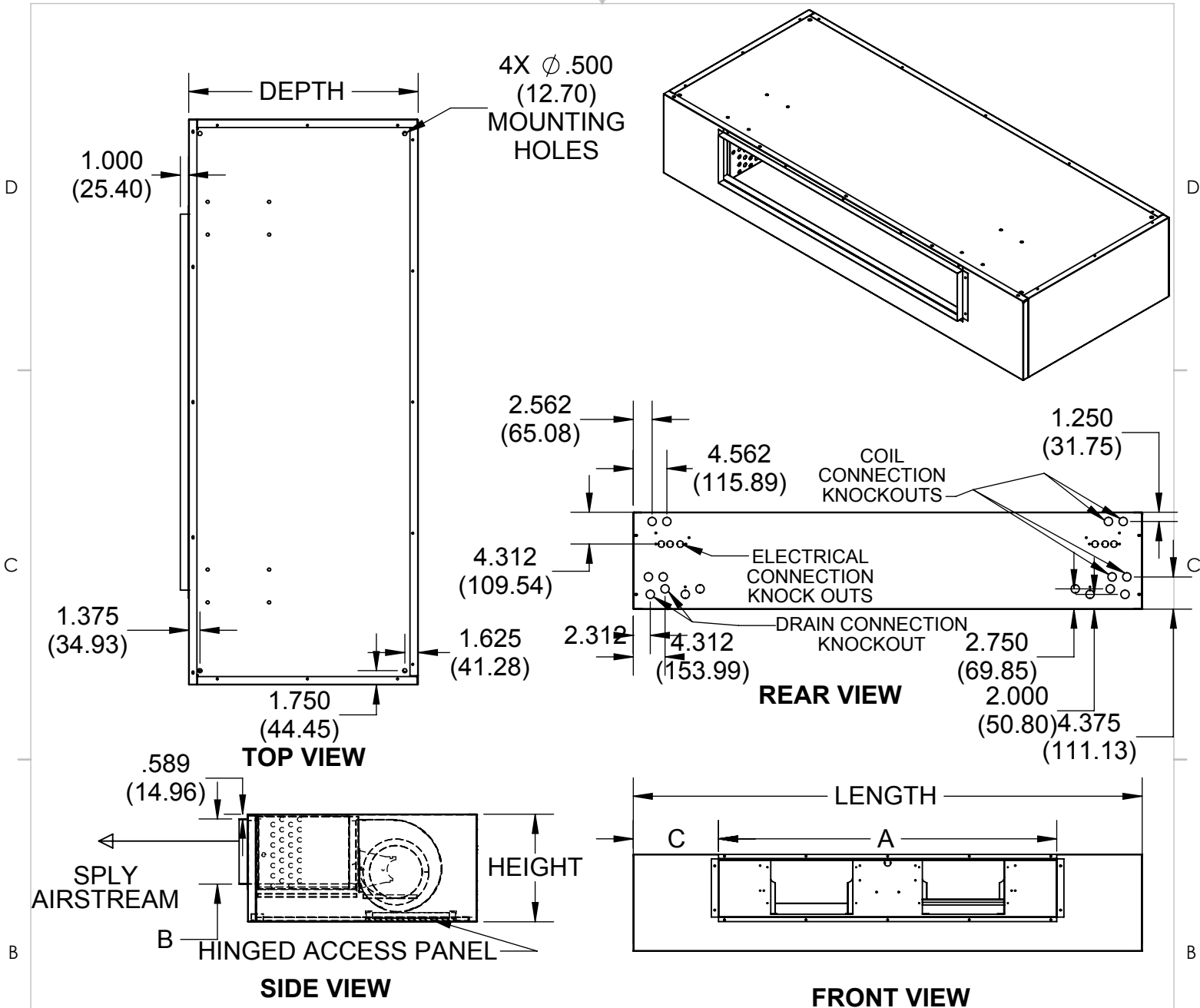


6" OPPOSITE CABINET EXTENSION RIGHT HAND SHOWN

MODEL	A	B	C	D	E	F	G	H	BLOWER QTY	FILTER SIZE
200-300	11 3/8	49	24	21	46	18 3/8	6 1/4	18 1/4	1	(2) 11x20x1
400	11 3/8	49	24	21	46	15 3/8	6 1/4	24 1/4	2	(2) 11x20x1
600	12 3/8	59	28	25	56	17 3/8	6 1/4	30 1/4	2	(2) 11x24x1
800	12 3/8	59	28	25	56	17 3/8	7 3/4	30 1/4	2	(2) 11x24x1
1000	12 3/8	67	28	25	64	18 3/8	7 3/4	36 1/4	2	(2) 11x27x1
1200	12 3/8	67	28	25	64	15 3/8	7 3/4	42 1/4	2	(2) 11x27x1

DELUXE BOTTOM STAMPED
REV A

D107694



IN
(MM)

6" OPPOSITE CABINET EXTENSION

OVERALL				SUPPLY DUCT			BLOWERS	FILTER SIZE
UNIT SIZE	LENGTH	HEIGHT	DEPTH	A	B	C		
002-003	53	11.38	24	18.25	6.38	20.38	1	(2) 11x20x1
MM	1346.20	289.05	609.60	463.55	162.05	517.65		
004	53	11.38	24	24.25	6.38	17.38	2	(2) 11x20x1
MM	1346.20	289.05	609.60	615.95	162.05	441.45		
006	61	11.38	24	32.25	6.38	17.38	2	(2) 11x24x1
MM	1549.40	289.05	609.60	819.15	162.05	441.45		
008	61	13.13	28	32.25	8	17.38	2	(2) 11x24x1
MM	1549.40	333.50	711.20	819.15	203.20	441.45		
010	75	13.13	28	38.25	8	21.38	2	(2) 11x27x1
MM	1905.00	333.50	711.20	971.55	203.20	543.05		
012	75	13.13	28	46.25	8	17.38	2	(2) 11x27x1
MM	1905.00	333.50	711.20	1174.75	203.20	441.45		

RIGHT HAND SHOWN

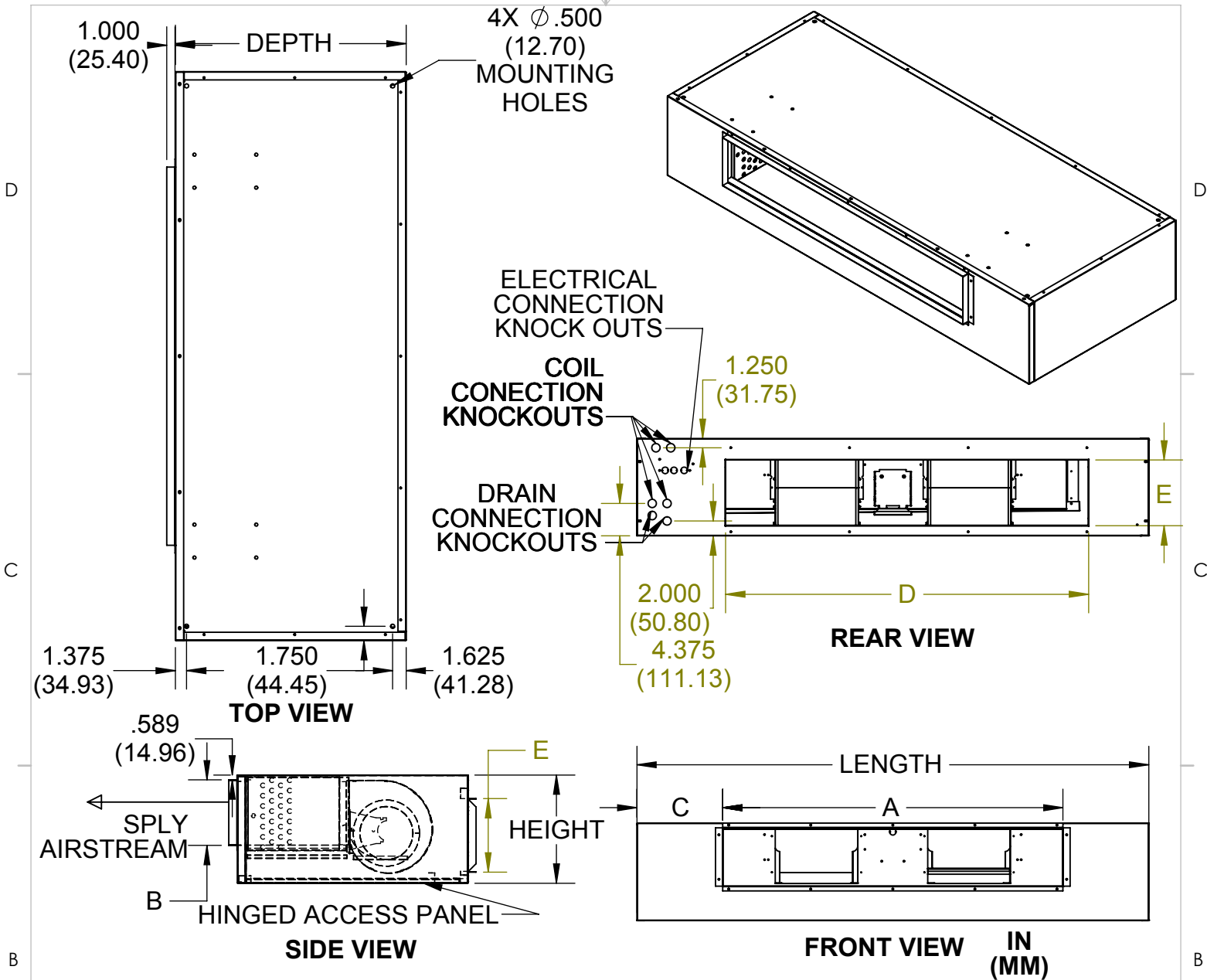
PROPRIETARY AND CONFIDENTIAL
THE INFORMATION CONTAINED IN THIS DOCUMENT IS THE SOLE
PROPERTY OF THE MANUFACTURER. ANY REPRODUCTION IN PART
OR AS A WHOLE WITHOUT WRITTEN PERMISSION IS PROHIBITED.

TITLE:
LH.Deluxe
Unit Revision Level B

DWG. NO.
D107709

REV
B

DRAWING NOT TO SCALE



6" OPPOSITE CABINET EXTENSION

RIGHT HAND SHOWN

OVERALL				SUPPLY DUCT			RETURN DUCT			BLOWERS	FILTER SIZE
UNIT SIZE	LENGTH	HEIGHT	DEPTH	A	B	C	D	E			
002-003	53	11.38	24	18.25	6.38	20.38	29	7	1	(2) 11x20x1	
MM	1346.20	289.05	609.60	463.55	162.05	517.65	736.60	177.80			
004	53	11.38	24	24.25	6.38	17.38	29	7	2	(2) 11x20x1	
MM	1346.20	289.05	609.60	615.95	162.05	441.45	736.60	177.80			
006	61	11.38	24	32.25	6.38	17.38	39	7	2	(2) 11x24x1	
MM	1549.40	289.05	609.60	819.15	162.05	441.45	990.60	177.80			
008	61	13.13	28	32.25	8.00	17.38	39	9	2	(2) 11x24x1	
MM	1549.40	333.50	711.20	819.15	203.20	441.45	990.60	228.60			
010	75	13.13	28	38.25	8.00	21.38	49	9	2	(2) 11x27x1	
MM	1905.00	333.50	711.20	971.55	203.20	543.05	1244.60	228.60			
012	75	13.13	28	46.25	8.00	17.38	49	9	2	(2) 11x27x1	
MM	1905.00	333.50	711.20	1174.75	203.20	441.45	1244.60	228.60			

PROPRIETARY AND CONFIDENTIAL
 THE INFORMATION CONTAINED IN THIS DOCUMENT IS THE SOLE
 PROPERTY OF WILLIAMS FURNACE COMPANY. ANY REPRODUCTION
 IN PART OR AS A WHOLE WITHOUT THE WRITTEN PERMISSION OF
 WILLIAMS FURNACE COMPANY IS PROHIBITED.

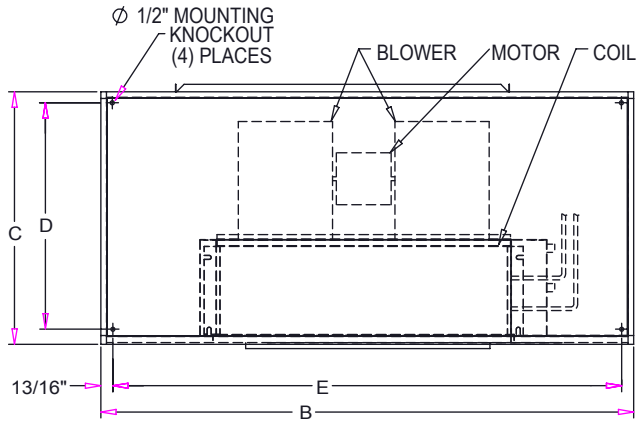
TITLE:

LH.Deluxe
 Unit Revision Level B

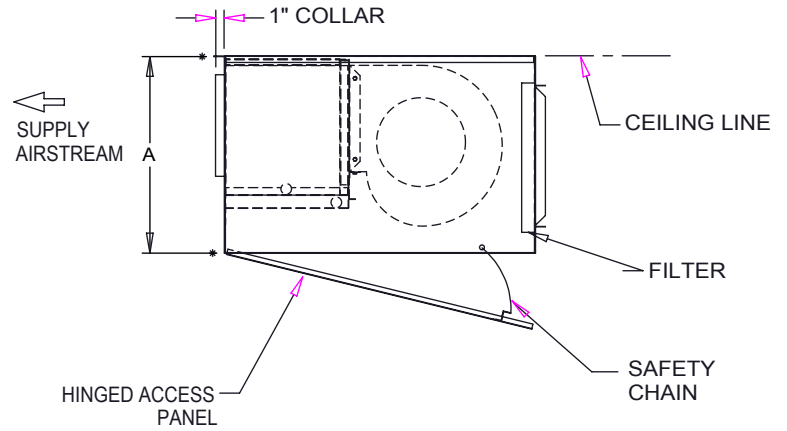
DWG. NO.
 D107556

REV
 B

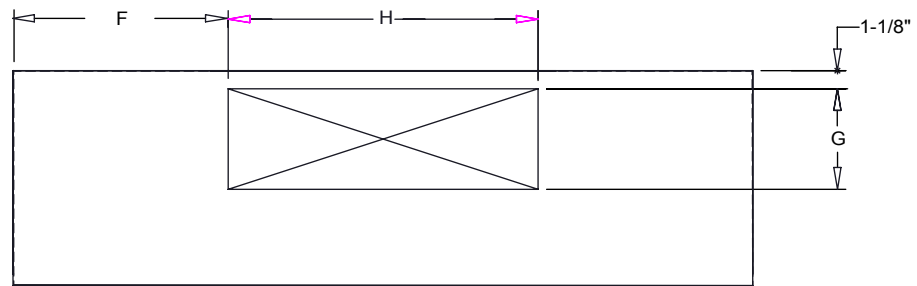
DRAWING NOT TO SCALE



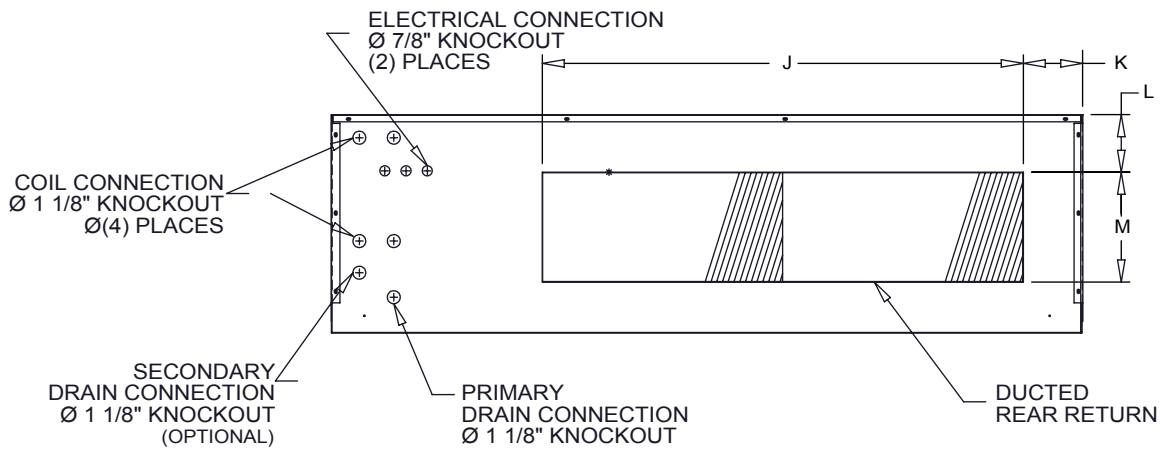
TOP VIEW



SIDE VIEW



FRONT VIEW

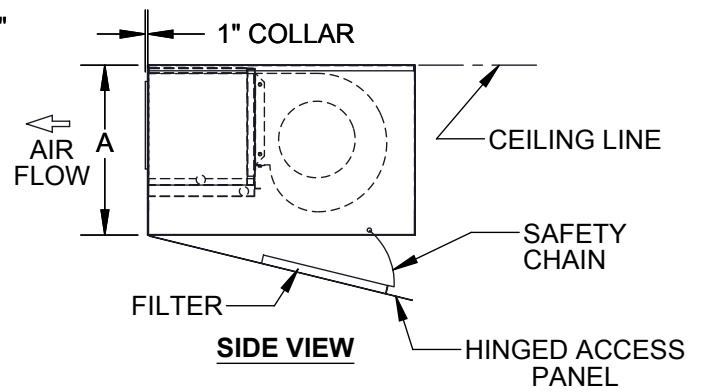
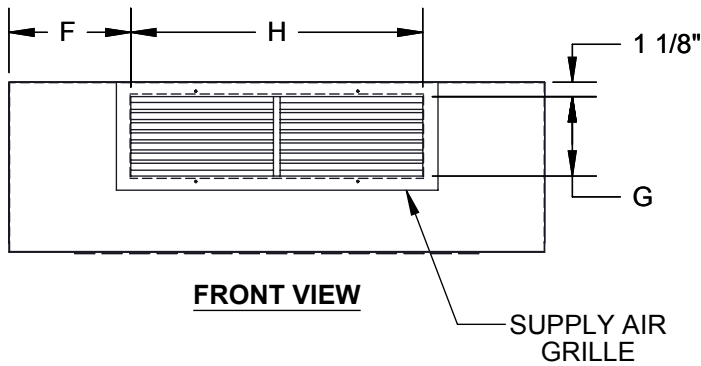
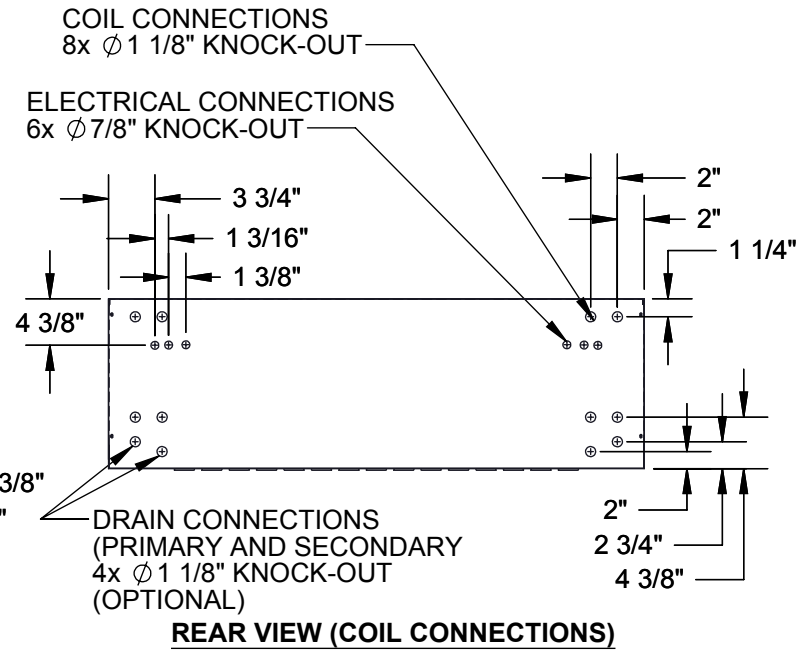
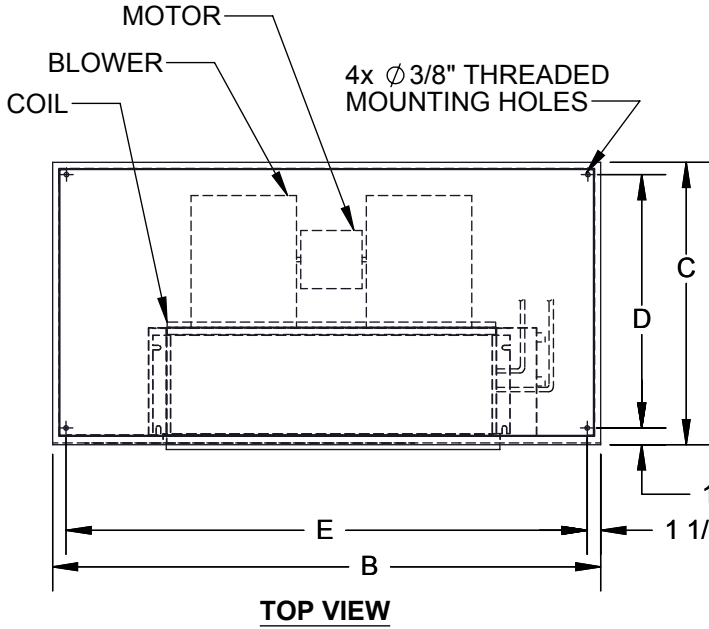


REAR VIEW (COIL CONNECTIONS)

6" OPPOSITE CABINET EXTENSION

RIGHT HAND SHOWN

MODEL	A	B	C	D	E	F	G	H	J	K	L	M	FILTER SIZES
LH002-003	11 3/8	49	24	21 1/8	46	18 3/8	6 1/4	18 1/4	29	8 1/2	2 5/8	7	(1) 8X30X1
LH004	11 3/8	49	24	21	46	15 3/8	6 1/4	24 1/4	29	8 1/2	2 1/2	7	(1) 8X30X1
LH006	12 3/8	59	28	25	56	17 3/8	6 1/4	30 1/4	39	8 1/2	2	9	(2) 10X20X1
LH008	12 3/8	59	28	25	56	17 3/8	7 3/4	30 1/4	39	8 1/2	2	9	(2) 10X20X1
LH010	12 3/8	67	28	25	64	18 3/8	7 3/4	36 1/4	49	8	2	9	(2) 10X25X1
LH012	12 3/8	67	28	25	64	15 3/8	7 3/4	42 1/4	49	8	2	9	(2) 10X25X1

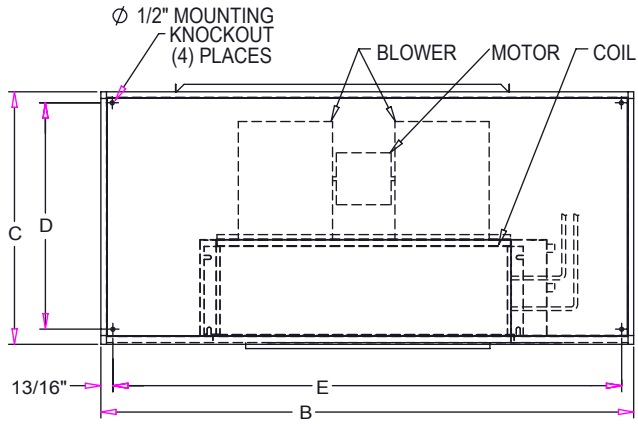


8" HANDED & 6" OPPOSITE CABINET EXTENTION & EXTENDED DRAIN PAN RIGHT HAND SHOWN

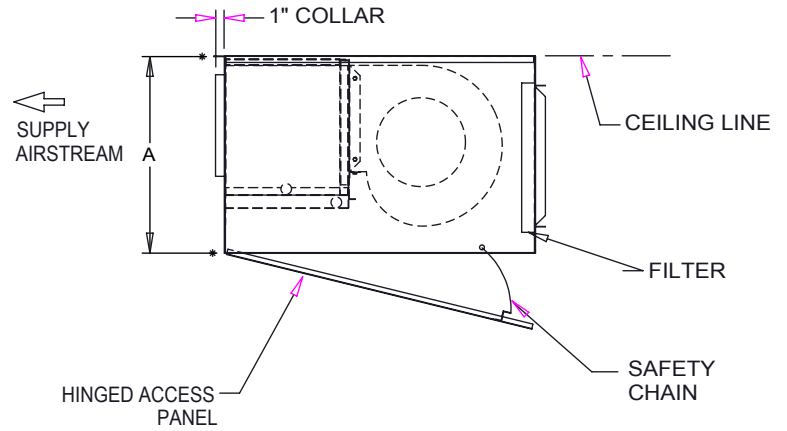
MODEL	A	B	C	D	E	F	G	H	BLOWER QTY	FILTER SIZE
200-300	11 3/8	57	24	21	54	18 3/8	6 1/4	18 1/4	1	(2) 11x20x1
400	11 3/8	57	24	21	54	15 3/8	6 1/4	24 1/4	2	(2) 11x20x1
600	12 3/8	67	28	25	64	17 3/8	6 1/4	30 1/4	2	(2) 11x24x1
800	12 3/8	67	28	25	64	17 3/8	7 3/4	30 1/4	2	(2) 11x24x1
1000	12 3/8	75	28	25	72	18 3/8	7 3/4	36 1/4	2	(2) 11x27x1
1200	12 3/8	75	28	25	72	15 3/8	7 3/4	42 1/4	2	(2) 11x27x1

DELUXE BOTTOM STAMPED
REV A

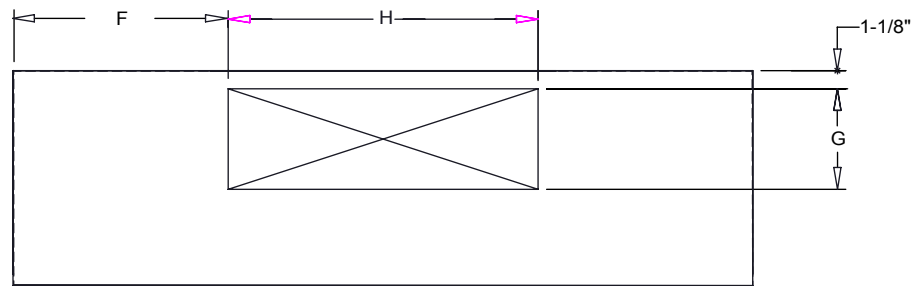
D107700



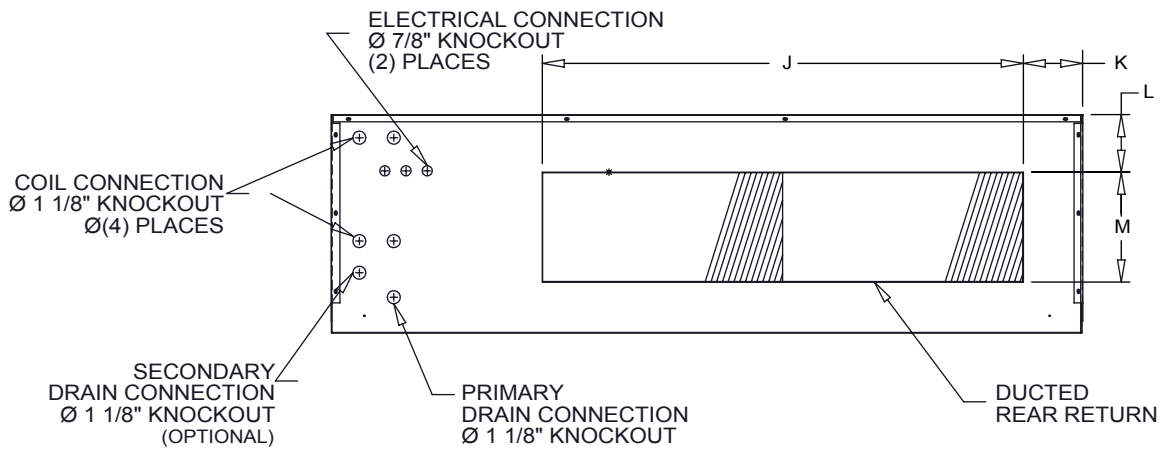
TOP VIEW



SIDE VIEW



FRONT VIEW

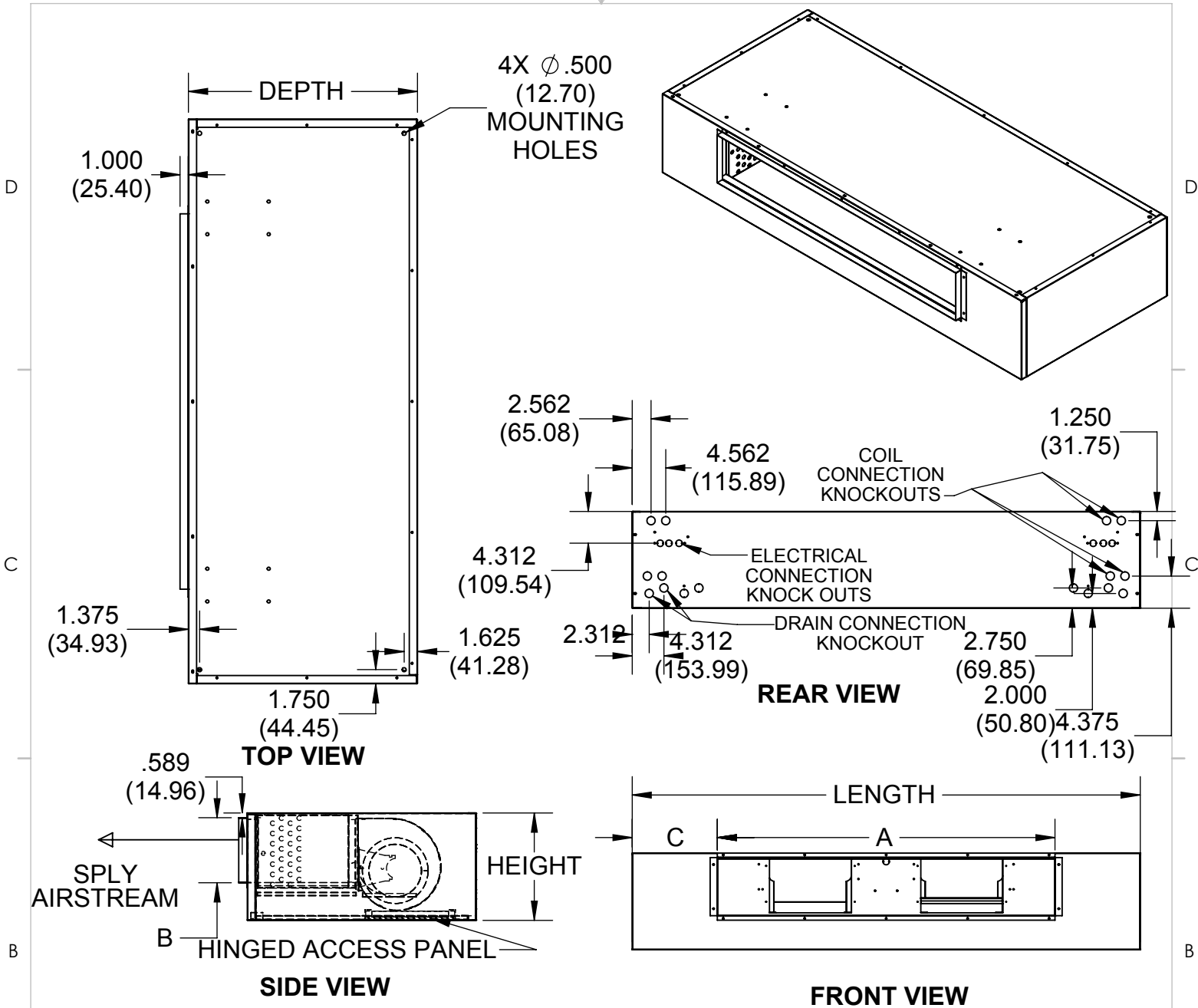


REAR VIEW (COIL CONNECTIONS)

8" HANDED & 6" OPPOSITE CABINET EXTENSION & EXTENDED DRAIN PAN

RIGHT HAND SHOWN

MODEL	A	B	C	D	E	F	G	H	J	K	L	M	FILTER SIZES
LH002-003	11 3/8	57	24	21 1/8	54	18 3/8	6 1/4	18 1/4	29	8 1/2	2 5/8	7	(1) 8X30X1
LH004	11 3/8	57	24	21	54	15 3/8	6 1/4	24 1/4	29	8 1/2	2 1/2	7	(1) 8X30X1
LH006	12 3/8	67	28	25	64	17 3/8	6 1/4	30 1/4	39	8 1/2	2	9	(2) 10X20X1
LH008	12 3/8	67	28	25	64	17 3/8	7 3/4	30 1/4	39	8 1/2	2	9	(2) 10X20X1
LH010	12 3/8	75	28	25	72	18 3/8	7 3/4	36 1/4	49	8	2	9	(2) 10X25X1
LH012	12 3/8	75	28	25	72	15 3/8	7 3/4	42 1/4	49	8	2	9	(2) 10X25X1



8" HANDED & 6" OPPOSITE CABINET EXTENSION & EXTENDED DRAIN PAN

IN (MM)

OVERALL				SUPPLY DUCT			BLOWERS	FILTER SIZE
UNIT SIZE	LENGTH	HEIGHT	DEPTH	A	B	C		
002-003	61	11.38	24	18.25	6.38	20.38	1	(2) 11x20x1
MM	1549.40	289.05	609.60	463.55	162.05	517.65		
004	61	11.38	24	24.25	6.38	17.38	2	(2) 11x20x1
MM	1549.40	289.05	609.60	615.95	162.05	441.45		
006	69	11.38	24	32.25	6.38	17.38	2	(2) 11x24x1
MM	1752.60	289.05	609.60	819.15	162.05	441.45		
008	69	13.13	28	32.25	8	17.38	2	(2) 11x24x1
MM	1752.60	333.50	711.20	819.15	203.20	441.45		
010	83	13.13	28	38.25	8	21.38	2	(2) 11x27x1
MM	2108.20	333.50	711.20	971.55	203.20	543.05		
012	83	13.13	28	46.25	8	17.38	2	(2) 11x27x1
MM	2108.20	333.50	711.20	1174.75	203.20	441.45		

RIGHT HAND SHOWN

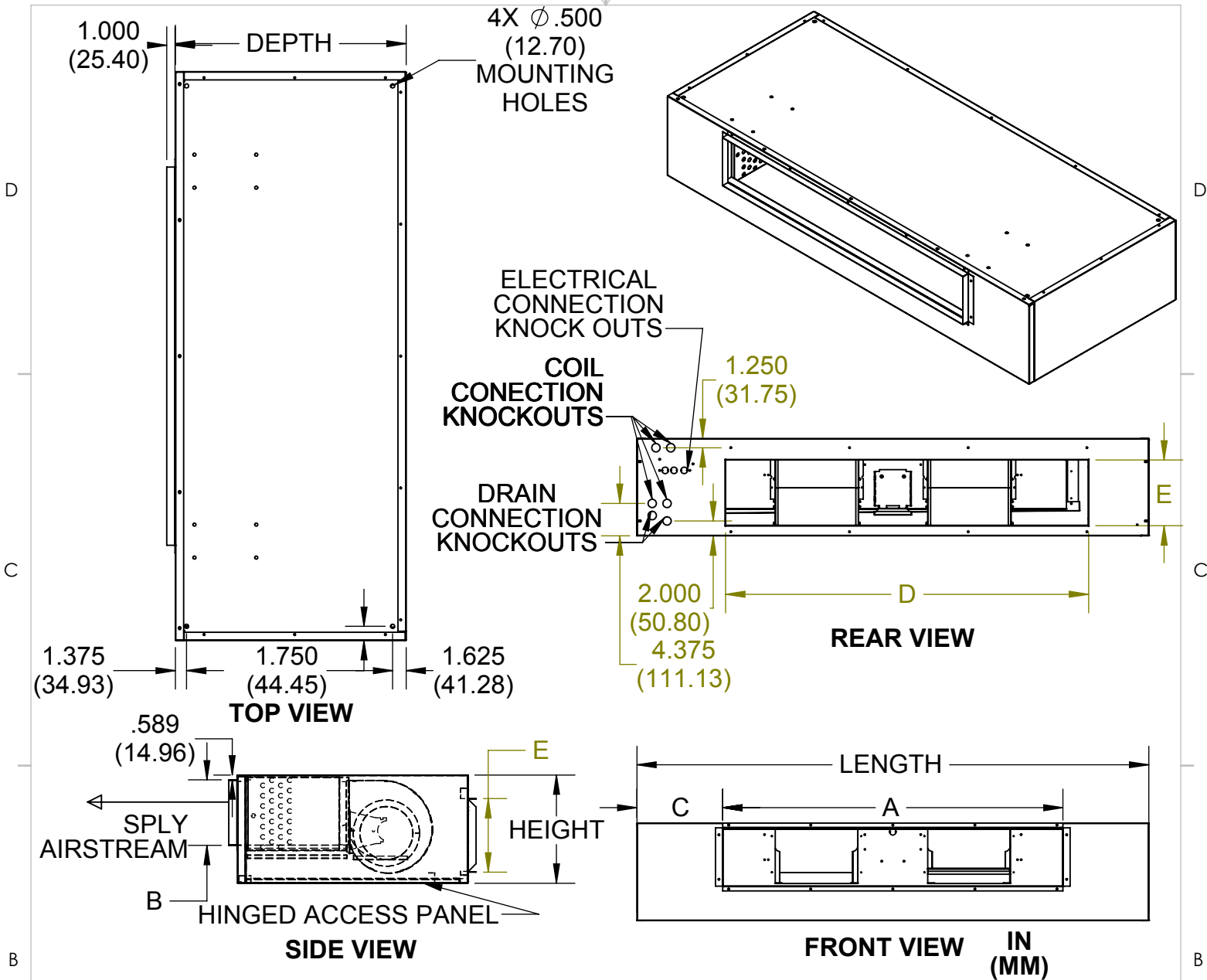
PROPRIETARY AND CONFIDENTIAL
 THE INFORMATION CONTAINED IN THIS DOCUMENT IS THE SOLE PROPERTY OF WILLIAMS FURNACE COMPANY. ANY REPRODUCTION IN PART OR AS A WHOLE WITHOUT THE WRITTEN PERMISSION OF WILLIAMS FURNACE COMPANY IS PROHIBITED.

TITLE:
 LH.Deluxe
 Unit Revision Level B

DWG. NO.
 D107715

REV
 B

DRAWING NOT TO SCALE



RIGHT HAND SHOWN

8" HANDED & 6" OPPOSITE CABINET EXTENSION & EXTENDED DRAIN PAN

OVERALL				SUPPLY DUCT			RETURN DUCT			BLOWERS	FILTER SIZE
UNIT SIZE	LENGTH	HEIGHT	DEPTH	A	B	C	D	E			
002-003	61	11.38	24	18.25	6.38	20.38	29	7	1	(2) 11x20x1	
MM	1549.40	289.05	609.60	463.55	162.05	517.65	736.60	177.80			
004	61	11.38	24	24.25	6.38	17.38	29	7	2	(2) 11x20x1	
MM	1549.40	289.05	609.60	615.95	162.05	441.45	736.60	177.80			
006	69	11.38	24	32.25	6.38	17.38	39	7	2	(2) 11x24x1	
MM	1752.60	289.05	609.60	819.15	162.05	441.45	990.60	177.80			
008	69	13.13	28	32.25	8	17.38	39	9	2	(2) 11x24x1	
MM	1752.60	333.50	711.20	819.15	203.20	441.45	990.60	228.60			
010	83	13.13	28	38.25	8	21.38	49	9	2	(2) 11x27x1	
MM	2108.20	333.50	711.20	971.55	203.20	543.05	1244.60	228.60			
012	83	13.13	28	46.25	8	17.38	49	9	2	(2) 11x27x1	
MM	2108.20	333.50	711.20	1174.75	203.20	441.45	1244.60	228.60			

PROPRIETARY AND CONFIDENTIAL
 THE INFORMATION CONTAINED IN THIS DOCUMENT IS THE SOLE
 PROPERTY OF WILLIAMS FURNACE COMPANY. ANY REPRODUCTION
 IN PART OR AS A WHOLE WITHOUT THE WRITTEN PERMISSION OF
 WILLIAMS FURNACE COMPANY IS PROHIBITED.

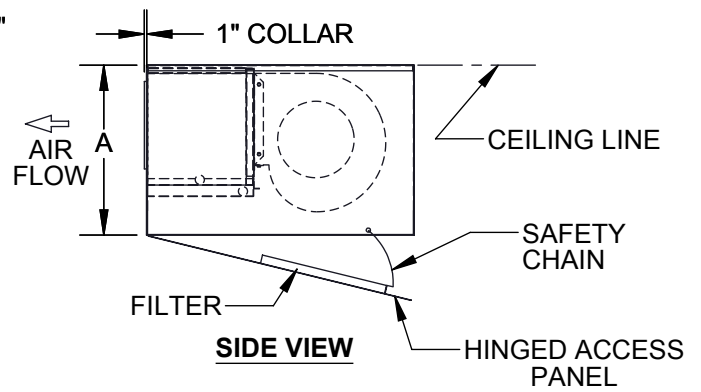
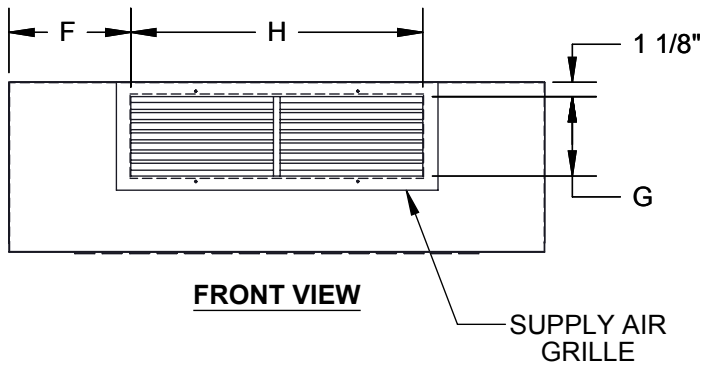
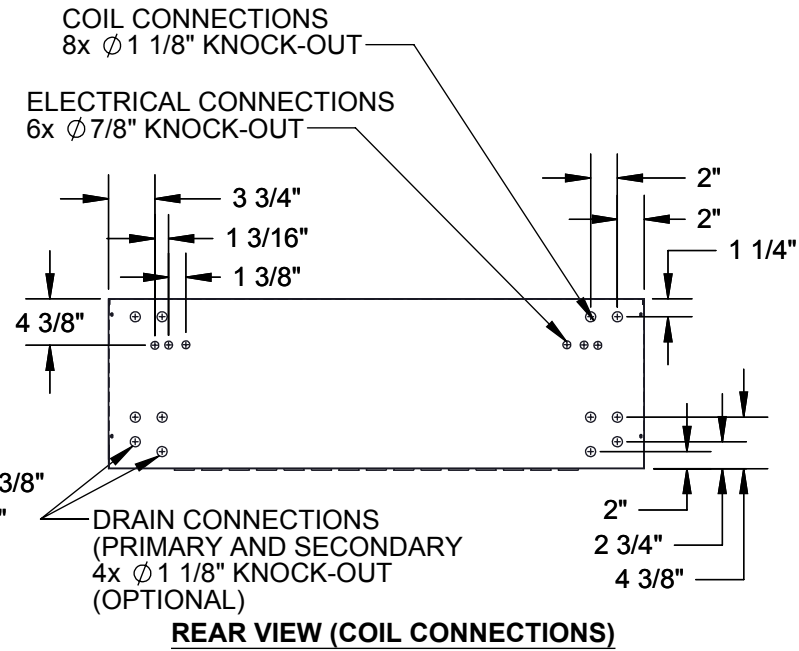
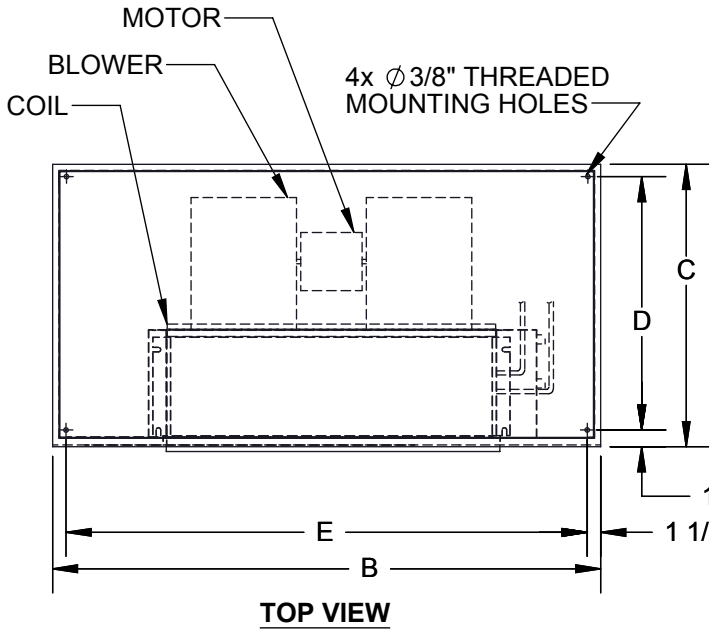
TITLE:

LH.Deluxe
 Unit Revision Level B

DWG. NO.
 D107562

REV
 B

DRAWING NOT TO SCALE

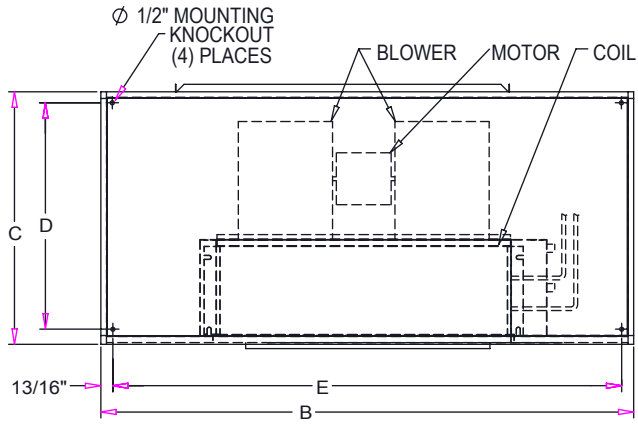


8" HANDED & 8" OPPOSITE CABINET EXTENTION & EXTENDED DRAIN PAN RIGHT HAND SHOWN

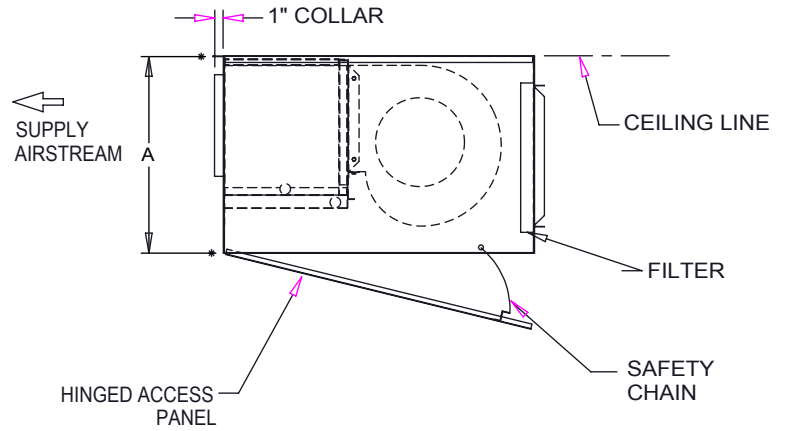
MODEL	A	B	C	D	E	F	G	H	BLOWER QTY	FILTER SIZE
200-300	11 3/8	59	24	21	56	20 3/8	6 1/4	18 1/4	1	(2) 11x20x1
400	11 3/8	59	24	21	56	17 3/8	6 1/4	24 1/4	2	(2) 11x20x1
600	12 3/8	69	28	25	66	19 3/8	6 1/4	30 1/4	2	(2) 11x24x1
800	12 3/8	69	28	25	66	19 3/8	7 3/4	30 1/4	2	(2) 11x24x1
1000	12 3/8	77	28	25	74	20 3/8	7 3/4	36 1/4	2	(2) 11x27x1
1200	12 3/8	77	28	25	74	17 3/8	7 3/4	42 1/4	2	(2) 11x27x1

DELUXE BOTTOM STAMPED
REV A

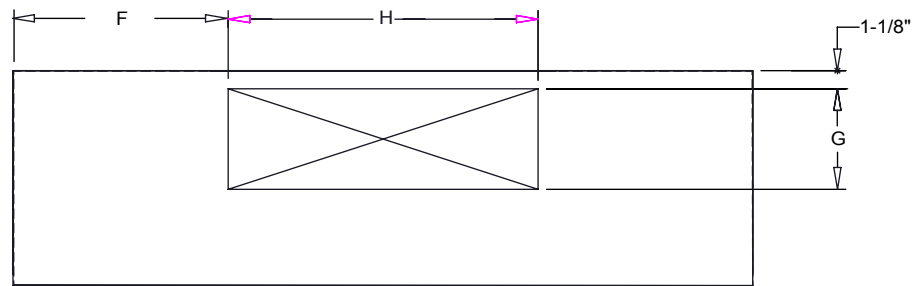
D107701



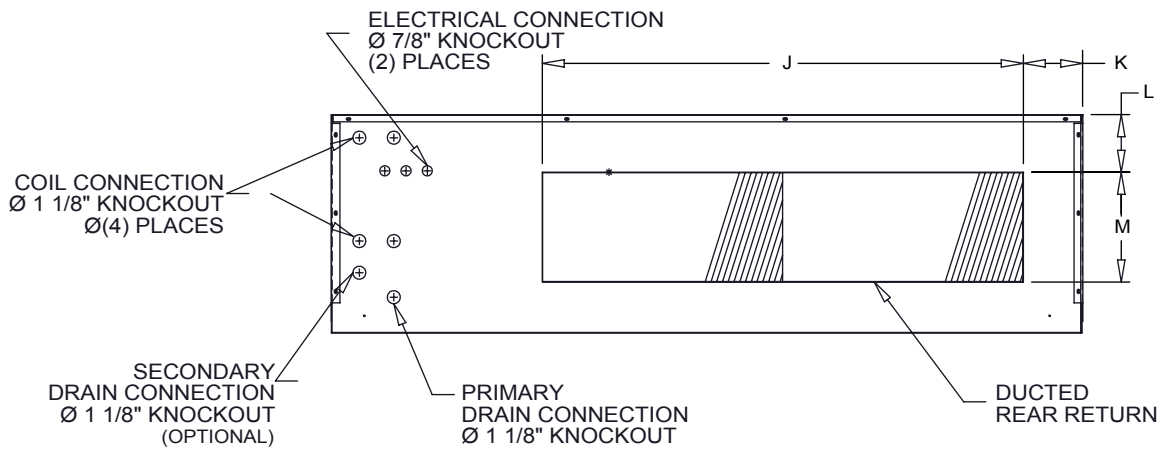
TOP VIEW



SIDE VIEW



FRONT VIEW

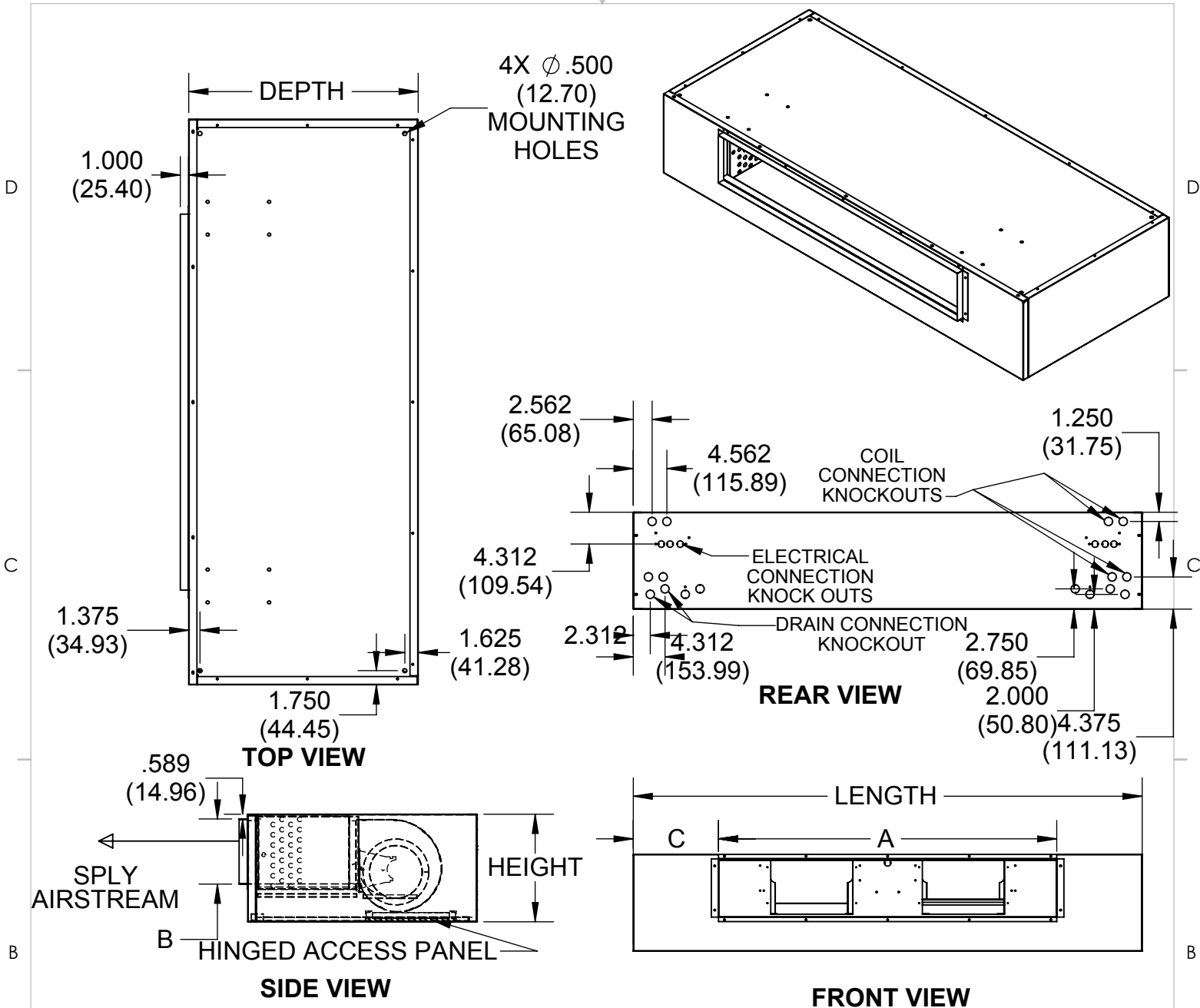


REAR VIEW (COIL CONNECTIONS)

8" HANDED & 8" OPPOSITE CABINET EXTENSION & EXTENDED DRAIN PAN

RIGHT HAND SHOWN

MODEL	A	B	C	D	E	F	G	H	J	K	L	M	FILTER SIZES
LH002-003	11 3/8	59	24	21 1/8	56	20 3/8	6 1/4	18 1/4	29	10 1/2	2 5/8	7	(1) 8X30X1
LH004	11 3/8	59	24	21	56	17 3/8	6 1/4	24 1/4	29	10 1/2	2 1/2	7	(1) 8X30X1
LH006	12 3/8	69	28	25	66	19 3/8	6 1/4	30 1/4	39	10 1/2	2	9	(2) 10X20X1
LH008	12 3/8	69	28	25	66	19 3/8	7 3/4	30 1/4	39	10 1/2	2	9	(2) 10X20X1
LH010	12 3/8	77	28	25	74	20 3/8	7 3/4	36 1/4	49	10	2	9	(2) 10X25X1
LH012	12 3/8	77	28	25	74	17 3/8	7 3/4	42 1/4	49	10	2	9	(2) 10X25X1



8" HANDED & 8" OPPOSITE CABINET EXTENSION & EXTENDED DRAIN PAN

IN (MM)

OVERALL				SUPPLY DUCT			BLOWERS	FILTER SIZE
UNIT SIZE	LENGTH	HEIGHT	DEPTH	A	B	C		
002-003	63	11.38	24	18.25	6.38	22.38	1	(2) 11x20x1
MM	1600.20	289.05	609.60	463.55	162.05	568.45		
004	63	11.38	24	24.25	6.38	19.38	2	(2) 11x20x1
MM	1600.20	289.05	609.60	615.95	162.05	492.25		
006	71	11.38	24	32.25	6.38	19.38	2	(2) 11x24x1
MM	1803.40	289.05	609.60	819.15	162.05	492.25		
008	71	13.13	28	32.25	8	19.38	2	(2) 11x24x1
MM	1803.40	333.50	711.20	819.15	203.20	492.25		
010	85	13.13	28	38.25	8	23.38	2	(2) 11x27x1
MM	2159.00	333.50	711.20	971.55	203.20	593.85		
012	85	13.13	28	46.25	8	19.38	2	(2) 11x27x1
MM	2159.00	333.50	711.20	1174.75	203.20	492.25		

RIGHT HAND SHOWN

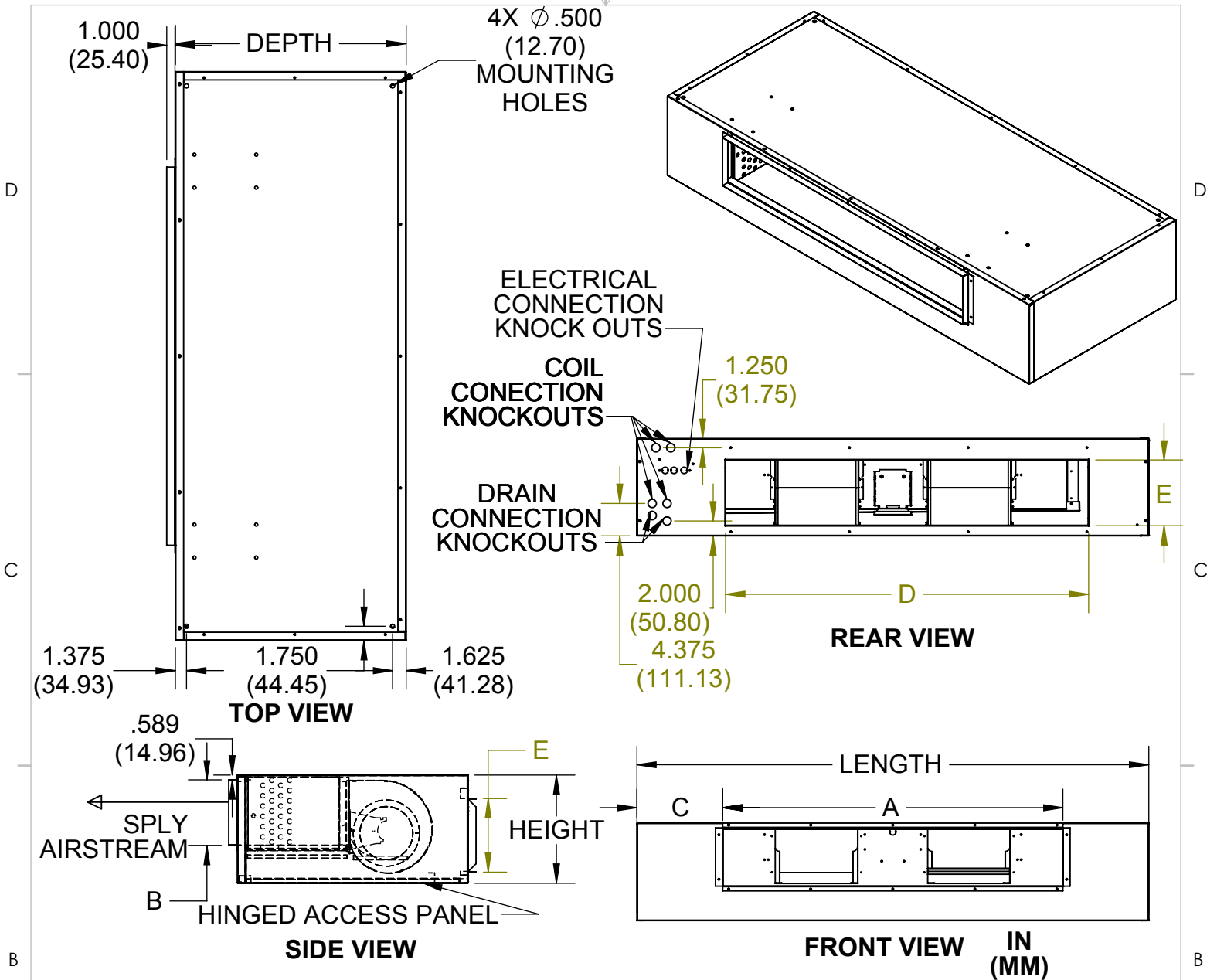
PROPRIETARY AND CONFIDENTIAL
 THE INFORMATION CONTAINED IN THIS DOCUMENT IS THE SOLE PROPERTY OF WILLIAMS FURNACE COMPANY. ANY REPRODUCTION IN PART OR AS A WHOLE WITHOUT THE WRITTEN PERMISSION OF WILLIAMS FURNACE COMPANY IS PROHIBITED.

TITLE:
 LH.Deluxe
 Unit Revision Level B

DWG. NO.
 D107716

REV
 B

DRAWING NOT TO SCALE



RIGHT HAND SHOWN

8" HANDED & 8" OPPOSITE CABINET EXTENSION & EXTENDED DRAIN PAN

OVERALL				SUPPLY DUCT			RETURN DUCT				
UNIT SIZE	LENGTH	HEIGHT	DEPTH	A	B	C	D	E	BLOWERS	FILTER SIZE	
002-003	63	11.38	24	18.25	6.38	22.38	29	7	1	(2) 11x20x1	
MM	1600.20	289.05	609.60	463.55	162.05	568.45	736.60	177.80			
004	63	11.38	24	24.25	6.38	19.38	29	7	2	(2) 11x20x1	
MM	1600.20	289.05	609.60	615.95	162.05	492.25	736.60	177.80			
006	71	11.38	24	32.25	6.38	19.38	39	7	2	(2) 11x24x1	
MM	1803.40	289.05	609.60	819.15	162.05	492.25	990.60	177.80			
008	71	13.13	28	32.25	8	19.38	39	9	2	(2) 11x24x1	
MM	1803.40	333.50	711.20	819.15	203.20	492.25	990.60	228.60			
010	85	13.13	28	38.25	8	23.38	49	9	2	(2) 11x27x1	
MM	2159.00	333.50	711.20	971.55	203.20	593.85	1244.60	228.60			
012	85	13.13	28	46.25	8	19.38	49	9	2	(2) 11x27x1	
MM	2159.00	333.50	711.20	1174.75	203.20	492.25	1244.60	228.60			

PROPRIETARY AND CONFIDENTIAL
 THE INFORMATION CONTAINED IN THIS DOCUMENT IS THE SOLE PROPERTY OF WILLIAMS FURNACE COMPANY. ANY REPRODUCTION IN PART OR AS A WHOLE WITHOUT THE WRITTEN PERMISSION OF WILLIAMS FURNACE COMPANY IS PROHIBITED.

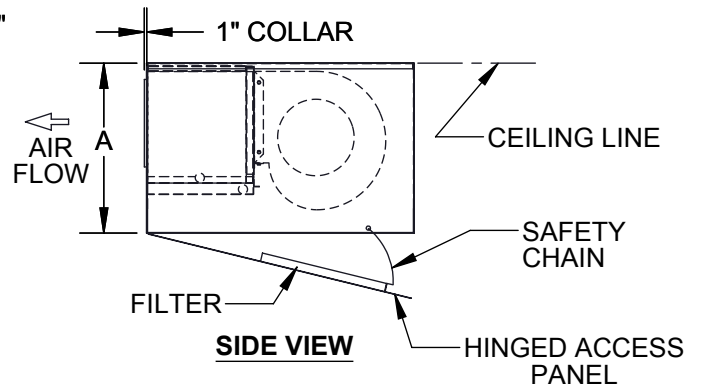
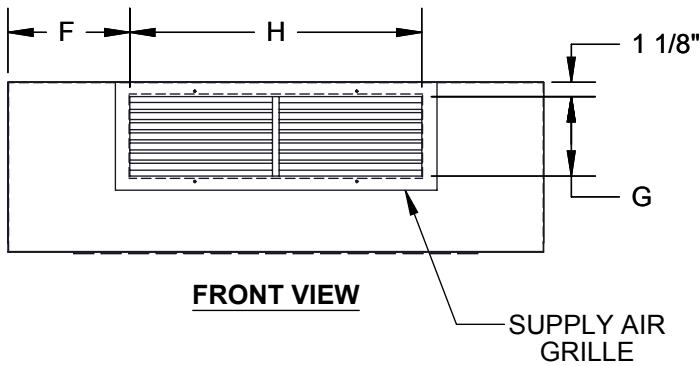
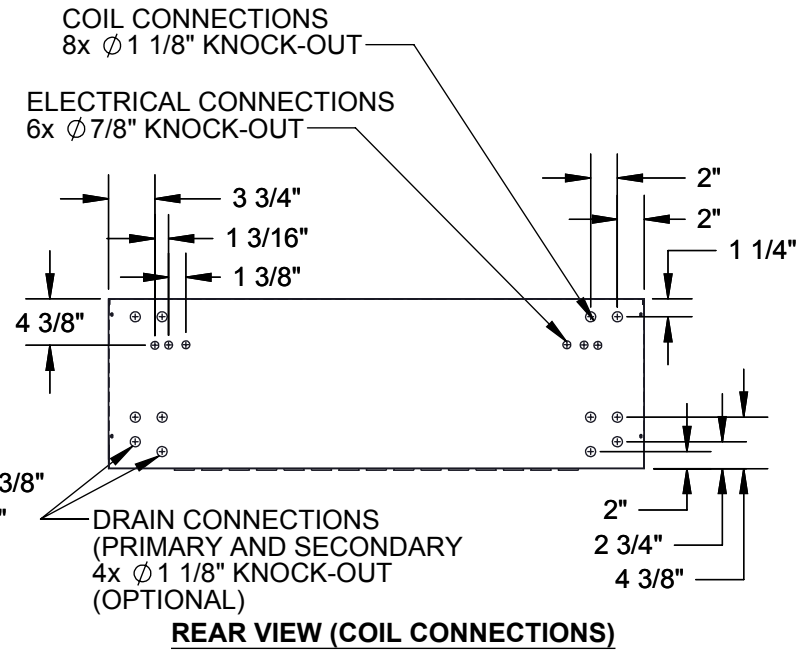
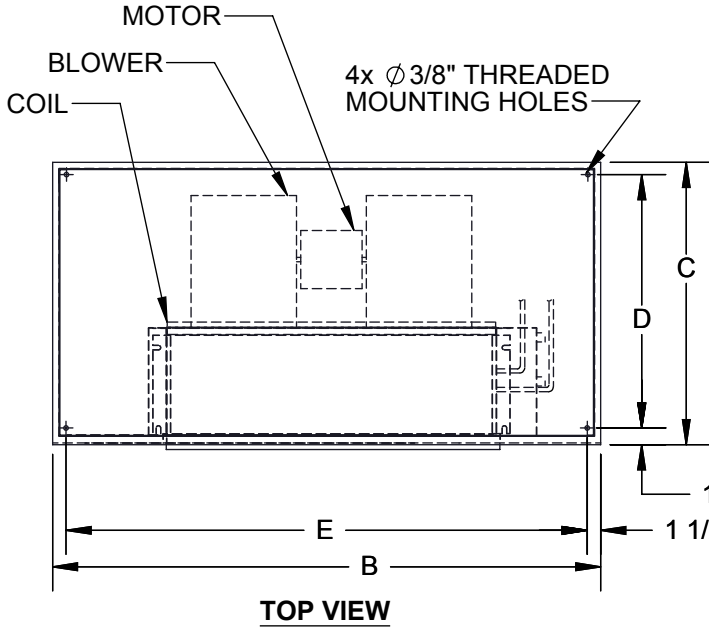
TITLE:

LH.Deluxe
 Unit Revision Level B

DWG. NO.
 D107563

REV
 B

DRAWING NOT TO SCALE

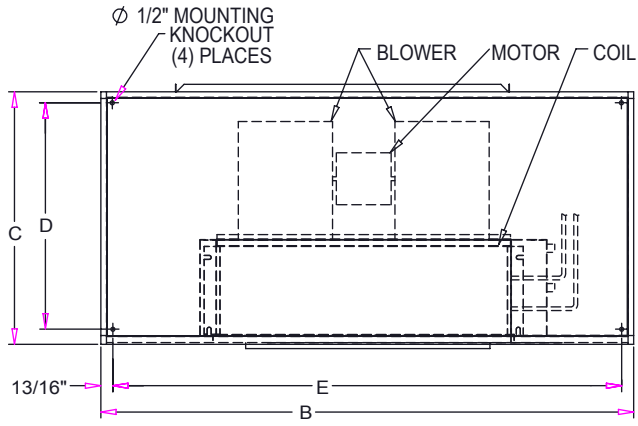


8" HANDED & 10" OPPOSITE CABINET EXTENSION & EXTENDED DRAIN PAN RIGHT HAND SHOWN

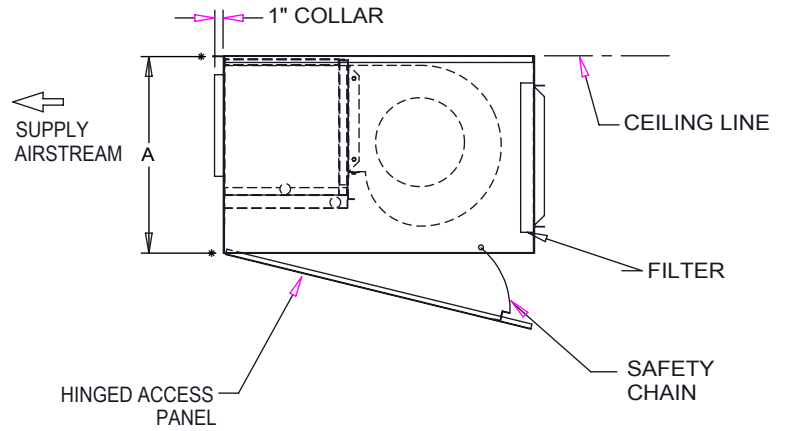
MODEL	A	B	C	D	E	F	G	H	BLOWER QTY	FILTER SIZE
200-300	11 3/8	61	24	21	58	22 3/8	6 1/4	18 1/4	1	(2) 11x20x1
400	11 3/8	61	24	21	58	19 3/8	6 1/4	24 1/4	2	(2) 11x20x1
600	12 3/8	71	28	25	68	21 3/8	6 1/4	30 1/4	2	(2) 11x24x1
800	12 3/8	71	28	25	68	21 3/8	7 3/4	30 1/4	2	(2) 11x24x1
1000	12 3/8	79	28	25	76	22 3/8	7 3/4	36 1/4	2	(2) 11x27x1
1200	12 3/8	79	28	25	76	19 3/8	7 3/4	42 1/4	2	(2) 11x27x1

DELUXE BOTTOM STAMPED
REV A

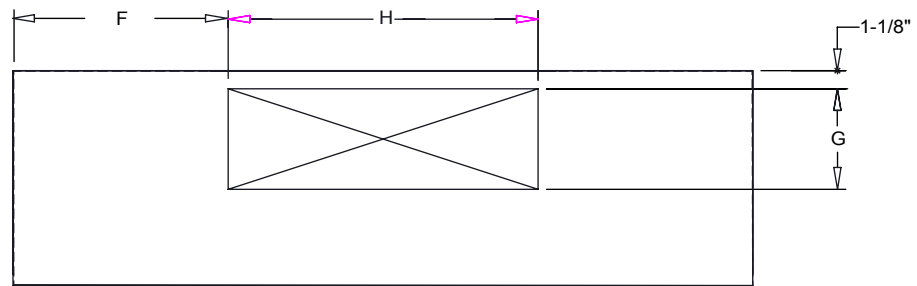
D107702



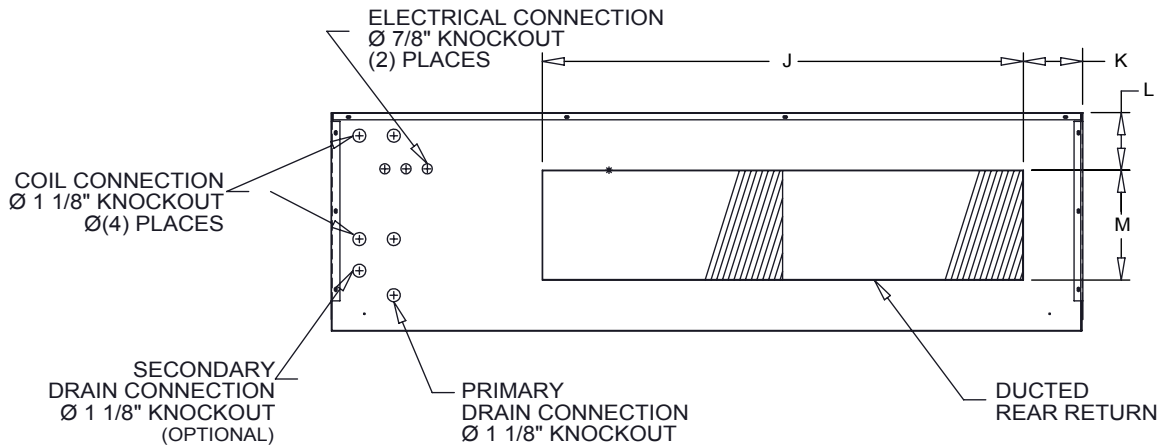
TOP VIEW



SIDE VIEW



FRONT VIEW

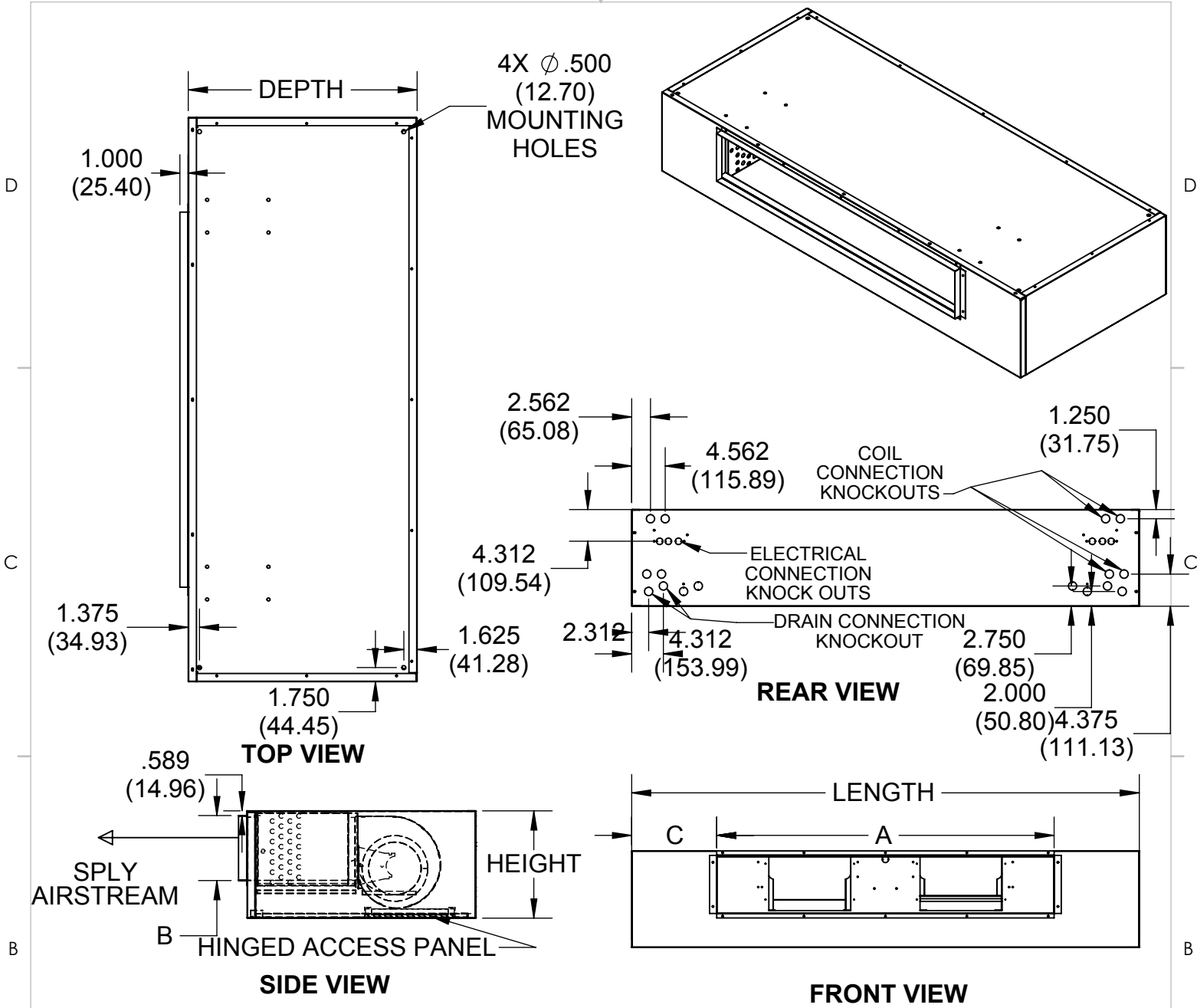


REAR VIEW (COIL CONNECTIONS)

8" HANDED & 10" OPPOSITE CABINET EXTENSION & EXTENDED DRAIN PAN

RIGHT HAND SHOWN

MODEL	A	B	C	D	E	F	G	H	J	K	L	M	FILTER SIZES
LH002-003	11 3/8	61	24	21 1/8	58	22 3/8	6 1/4	18 1/4	29	12 1/2	2 5/8	7	(1) 8X30X1
LH004	11 3/8	61	24	21	58	19 3/8	6 1/4	24 1/4	29	12 1/2	2 1/2	7	(1) 8X30X1
LH006	12 3/8	71	28	25	68	21 3/8	6 1/4	30 1/4	39	12 1/2	2	9	(2) 10X20X1
LH008	12 3/8	71	28	25	68	21 3/8	7 3/4	30 1/4	39	12 1/2	2	9	(2) 10X20X1
LH010	12 3/8	79	28	25	76	22 3/8	7 3/4	36 1/4	49	12	2	9	(2) 10X25X1
LH012	12 3/8	79	28	25	76	19 3/8	7 3/4	42 1/4	49	12	2	9	(2) 10X25X1



IN (MM)

8" HANDED & 10" OPPOSITE CABINET EXTENSION & EXTENDED DRAIN PAN

OVERALL				SUPPLY DUCT			BLOWERS	FILTER SIZE
UNIT SIZE	LENGTH	HEIGHT	DEPTH	A	B	C		
002-003	65	11.38	24	18.25	6.38	24.38	1	(2) 11x20x1
MM	1651.00	289.05	609.60	463.55	162.05	619.25		
004	65	11.38	24	24.25	6.38	21.38	2	(2) 11x20x1
MM	1651.00	289.05	609.60	615.95	162.05	543.05		
006	73	11.38	24	32.25	6.38	21.38	2	(2) 11x24x1
MM	1854.20	289.05	609.60	819.15	162.05	543.05		
008	73	13.13	28	32.25	8	21.38	2	(2) 11x24x1
MM	1854.20	333.50	711.20	819.15	203.20	543.05		
010	87	13.13	28	38.25	8	25.38	2	(2) 11x27x1
MM	2209.80	333.50	711.20	971.55	203.20	644.65		
012	87	13.13	28	46.25	8	21.38	2	(2) 11x27x1
MM	2209.80	333.50	711.20	1174.75	203.20	543.05		

RIGHT HAND SHOWN

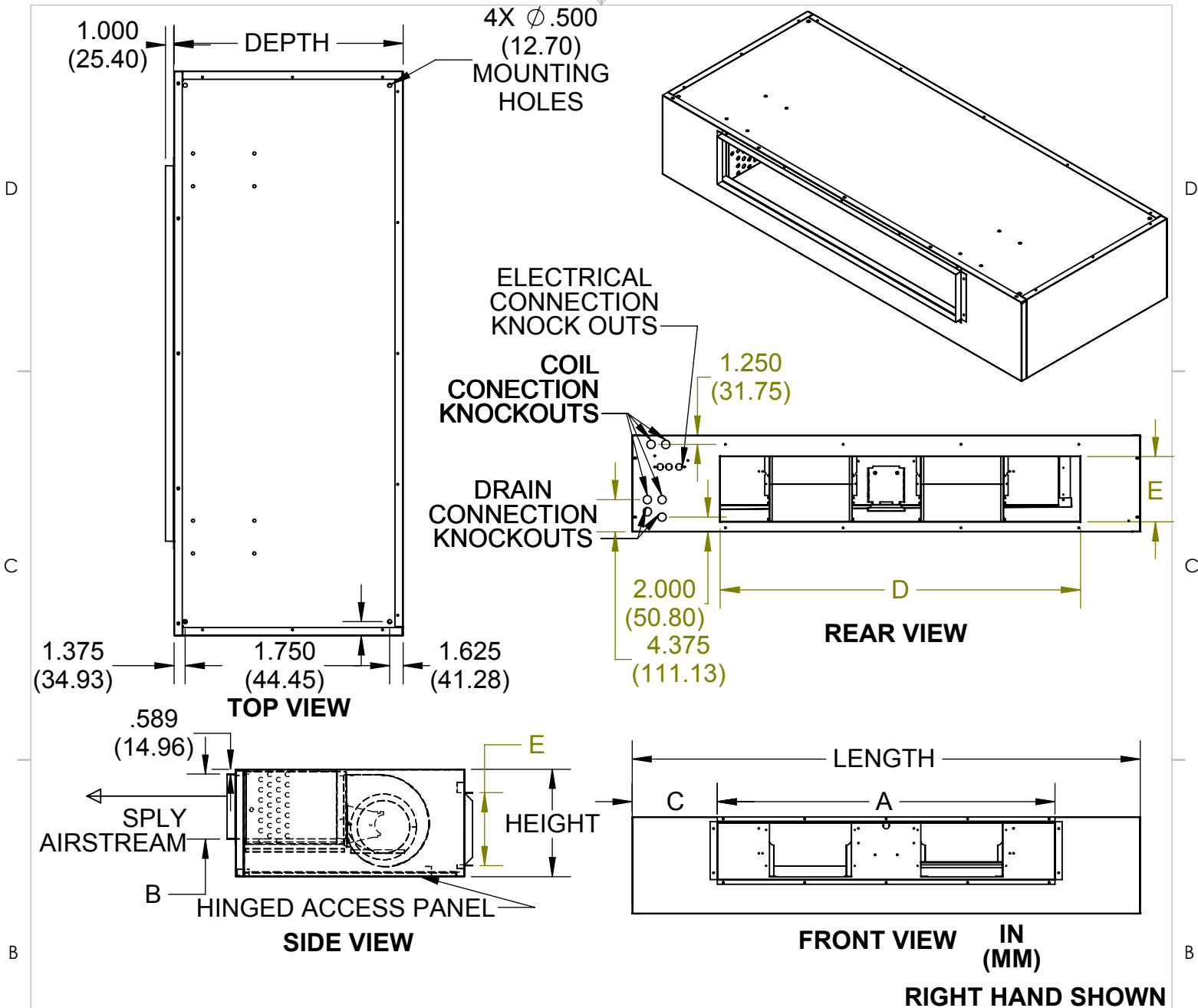
PROPRIETARY AND CONFIDENTIAL
 THE INFORMATION CONTAINED IN THIS DOCUMENT IS THE SOLE PROPERTY OF WILLIAMS FURNACE COMPANY. ANY REPRODUCTION IN PART OR AS A WHOLE WITHOUT THE WRITTEN PERMISSION OF WILLIAMS FURNACE COMPANY IS PROHIBITED.

TITLE:
 LH.Deluxe
 Unit Revision Level B

DWG. NO.
 D107717

REV
 B

DRAWING NOT TO SCALE



8" HANDED & 10" OPPOSITE CABINET EXTENSION & EXTENDED DRAIN PAN

OVERALL				SUPPLY DUCT			RETURN DUCT			
UNIT SIZE	LENGTH	HEIGHT	DEPTH	A	B	C	D	E	BLOWERS	FILTER SIZE
002-003	65	11.38	24	18.25	6.38	24.38	29	7	1	(2) 11x20x1
MM	1651.00	289.05	609.60	463.55	162.05	619.25	736.60	177.80		
004	65	11.38	24	24.25	6.38	21.38	29	7	2	(2) 11x20x1
MM	1651.00	289.05	609.60	615.95	162.05	543.05	736.60	177.80		
006	73	11.38	24	32.25	6.38	21.38	39	7	2	(2) 11x24x1
MM	1854.20	289.05	609.60	819.15	162.05	543.05	990.60	177.80		
008	73	13.13	28	32.25	8	21.38	39	9	2	(2) 11x24x1
MM	1854.20	333.50	711.20	819.15	203.20	543.05	990.60	228.60		
010	87	13.13	28	38.25	8	25.38	49	9	2	(2) 11x27x1
MM	2209.80	333.50	711.20	971.55	203.20	644.65	1244.60	228.60		
012	87	13.13	28	46.25	8	21.38	49	9	2	(2) 11x27x1
MM	2209.80	333.50	711.20	1174.75	203.20	543.05	1244.60	228.60		

PROPRIETARY AND CONFIDENTIAL
 THE INFORMATION CONTAINED IN THIS DOCUMENT IS THE SOLE PROPERTY OF WILLIAMS FURNACE COMPANY. ANY REPRODUCTION IN PART OR AS A WHOLE WITHOUT THE WRITTEN PERMISSION OF WILLIAMS FURNACE COMPANY IS PROHIBITED.

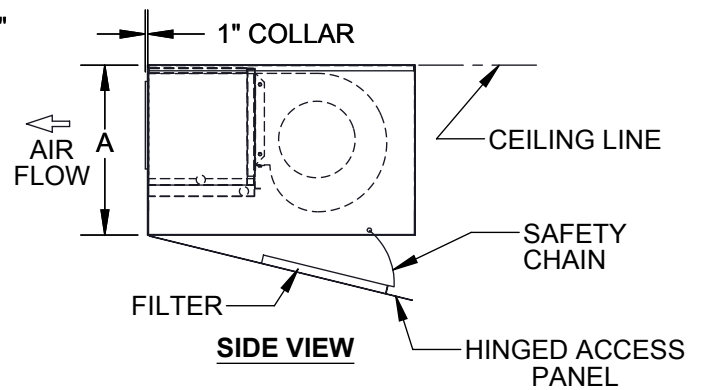
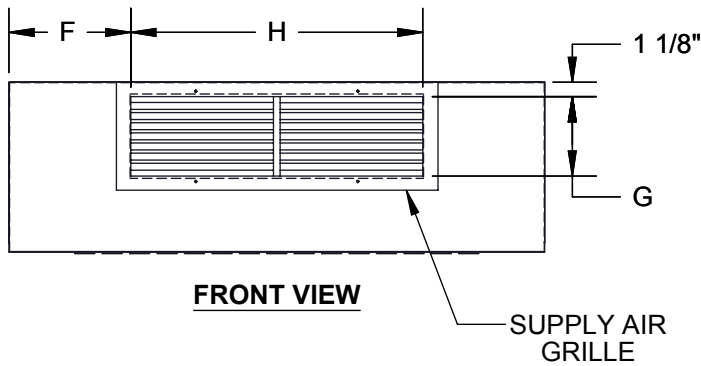
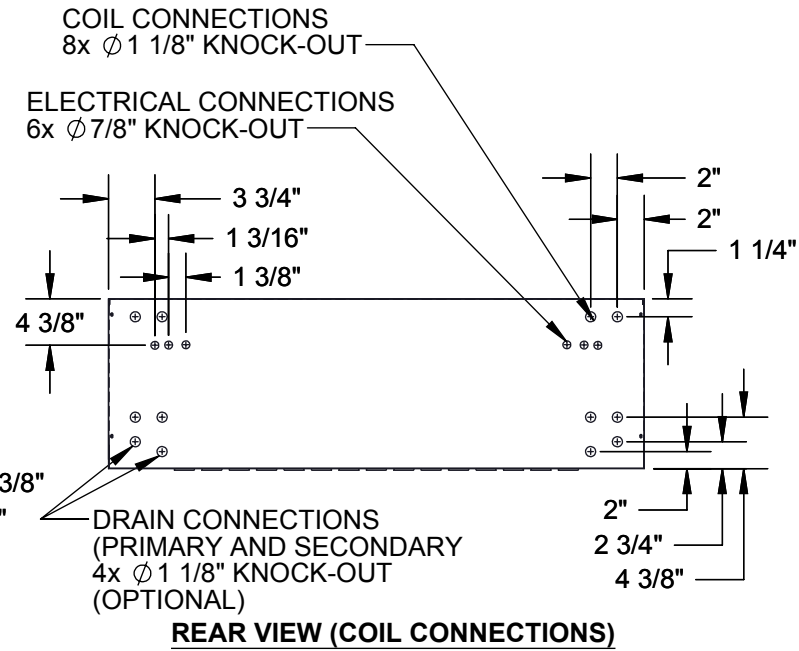
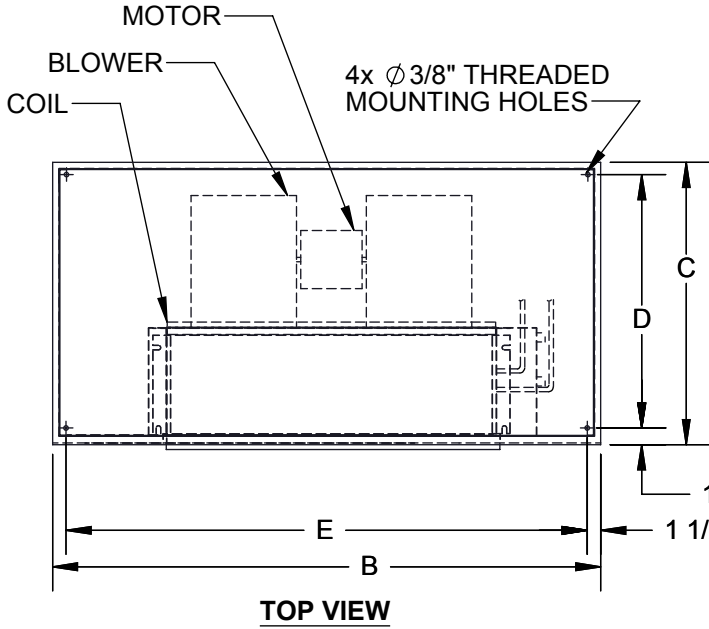
TITLE:

LH.Deluxe
 Unit Revision Level B

DWG. NO.
 D107564

REV
 B

DRAWING NOT TO SCALE

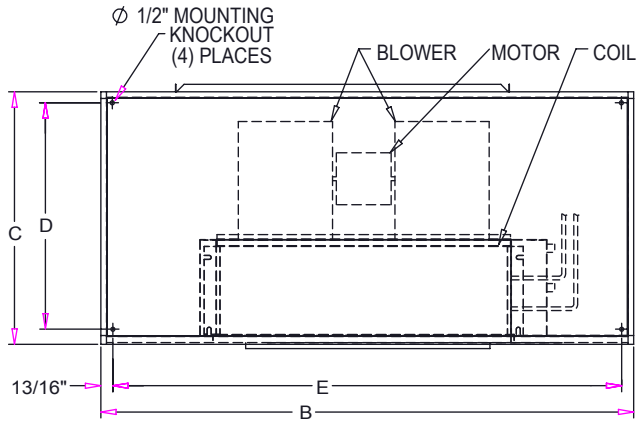


8" HANDED SIDE CABINET EXTENDED DRAIN PAN RIGHT HAND SHOWN

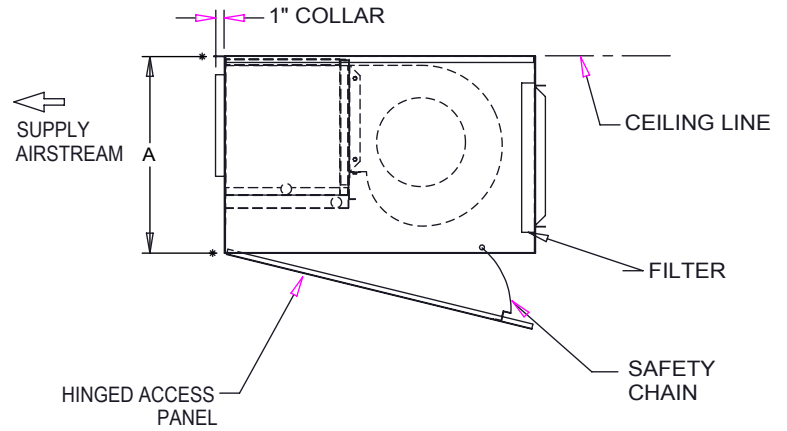
MODEL	A	B	C	D	E	F	G	H	BLOWER QTY	FILTER SIZE
200-300	11 3/8"	51	24	21	48	12 3/8"	6 1/4"	18 1/4"	1	(2) 11x20x1
400	11 3/8"	51	24	21	48	9 3/8"	6 1/4"	24 1/4"	2	(2) 11x20x1
600	12 3/8"	61	28	25	58	11 3/8"	6 1/4"	30 1/4"	2	(2) 11x24x1
800	12 3/8"	61	28	25	58	11 3/8"	7 3/4"	30 1/4"	2	(2) 11x24x1
1000	12 3/8"	69	28	25	66	12 3/8"	7 3/4"	36 1/4"	2	(2) 11x27x1
1200	12 3/8"	69	28	25	66	9 3/8"	7 3/4"	42 1/4"	2	(2) 11x27x1

DELUXE BOTTOM STAMPED
REV A

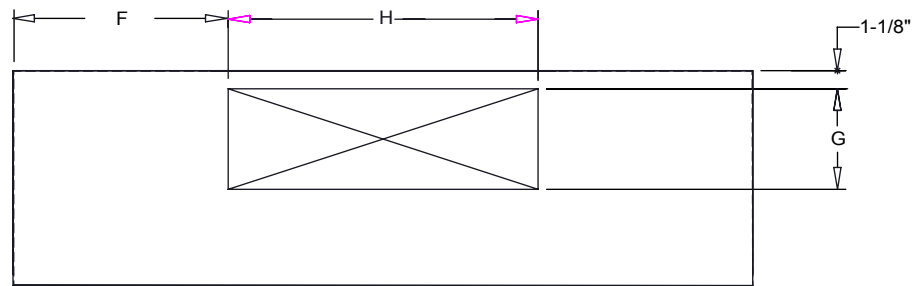
D107698



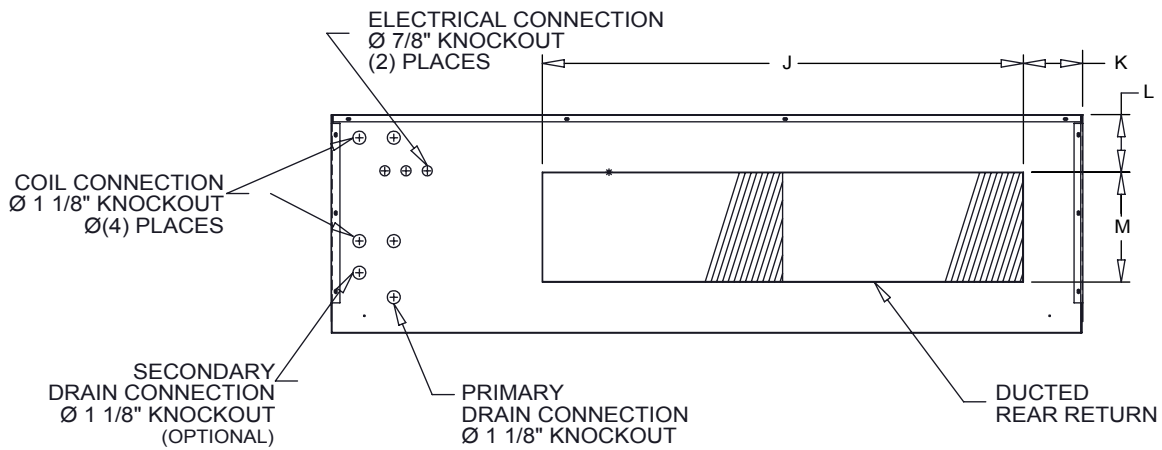
TOP VIEW



SIDE VIEW



FRONT VIEW

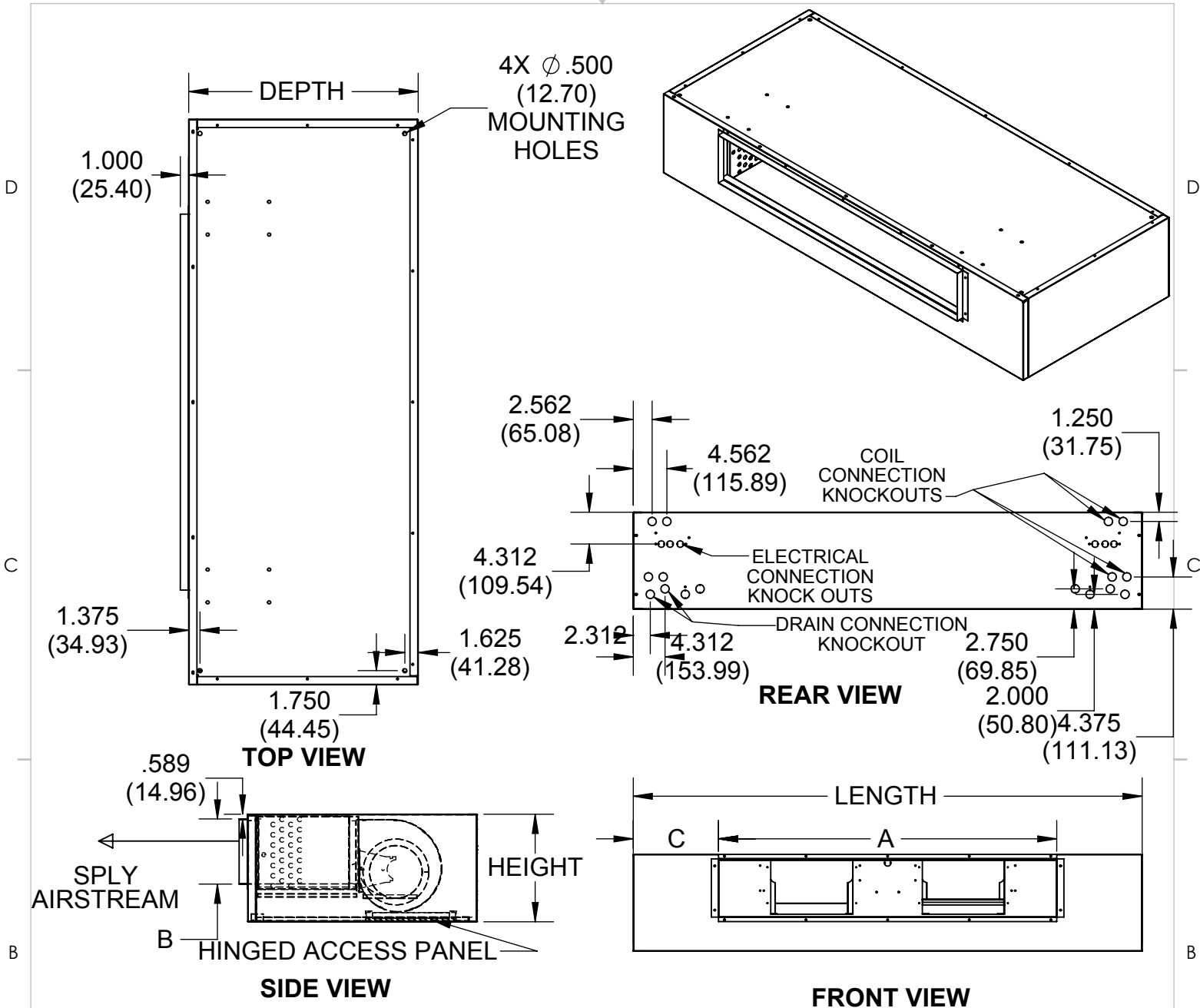


REAR VIEW (COIL CONNECTIONS)

8" HANDED SIDE CABINET EXTENSION WITH EXTENDED DRAIN PAN

RIGHT HAND SHOWN

MODEL	A	B	C	D	E	F	G	H	J	K	L	M	FILTER SIZES
LH002-003	11 3/8	51	24	21 1/8	48	12 3/8	6 1/4	18 1/4	29	2 1/2	2 5/8	7	(1) 8X30X1
LH004	11 3/8	51	24	21	48	9 3/8	6 1/4	24 1/4	29	2 1/2	2 1/2	7	(1) 8X30X1
LH006	12 3/8	61	28	25	58	11 3/8	6 1/4	30 1/4	39	2 1/2	2	9	(2) 10X20X1
LH008	12 3/8	61	28	25	58	11 3/8	7 3/4	30 1/4	39	2 1/2	2	9	(2) 10X20X1
LH010	12 3/8	69	28	25	66	12 3/8	7 3/4	36 1/4	49	2	2	9	(2) 10X25X1
LH012	12 3/8	69	28	25	66	9 3/8	7 3/4	42 1/4	49	2	2	9	(2) 10X25X1



IN (MM)

8" HANDED SIDE CABINET EXTENDED DRAIN PAN

OVERALL				SUPPLY DUCT			BLOWERS	FILTER SIZE
UNIT SIZE	LENGTH	HEIGHT	DEPTH	A	B	C		
002-003	55	11.38	24	18.25	6.38	14.38	1	(2) 11x20x1
MM	1397.00	289.05	609.60	463.55	162.05	365.25		
004	55	11.38	24	24.25	6.38	11.38	2	(2) 11x20x1
MM	1397.00	289.05	609.60	615.95	162.05	289.05		
006	63	11.38	24	32.25	6.38	11.38	2	(2) 11x24x1
MM	1600.20	289.05	609.60	819.15	162.05	289.05		
008	63	13.13	28	32.25	8	11.38	2	(2) 11x24x1
MM	1600.20	333.50	711.20	819.15	203.20	289.05		
010	77	13.13	28	38.25	8	15.38	2	(2) 11x27x1
MM	1955.80	333.50	711.20	971.55	203.20	390.65		
012	77	13.13	28	46.25	8	11.38	2	(2) 11x27x1
MM	1955.80	333.50	711.20	1174.75	203.20	289.05		

RIGHT HAND SHOWN

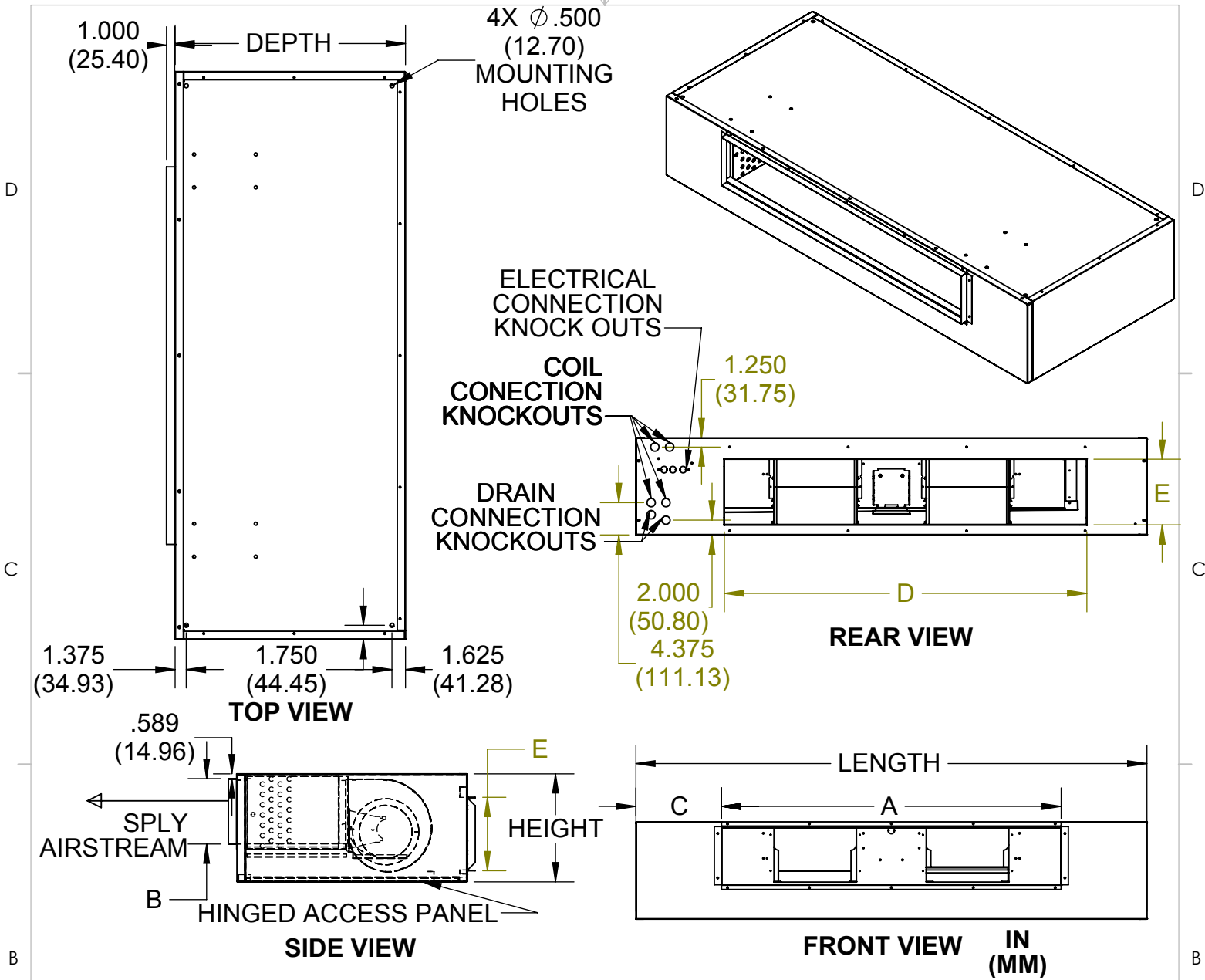
PROPRIETARY AND CONFIDENTIAL
 THE INFORMATION CONTAINED IN THIS DOCUMENT IS THE SOLE PROPERTY OF WILLIAMS FURNACE COMPANY. ANY REPRODUCTION IN PART OR AS A WHOLE WITHOUT THE WRITTEN PERMISSION OF WILLIAMS FURNACE COMPANY IS PROHIBITED.

DRAWING NOT TO SCALE

TITLE:
 LH.Deluxe
 Unit Revision Level B

DWG. NO.
 D107713

REV
 B



8" HANDED CABINET EXTENDED DRAIN PAN

RIGHT HAND SHOWN

OVERALL				SUPPLY DUCT			RETURN DUCT			BLOWERS	FILTER SIZE
UNIT SIZE	LENGTH	HEIGHT	DEPTH	A	B	C	D	E			
002-003	55	11.38	24	18.25	6.38	14.38	29	7	1	(2) 11x20x1	
MM	1397.00	289.05	609.60	463.55	162.05	365.25	736.60	177.80			
004	55	11.38	24	24.25	6.38	11.38	29	7	2	(2) 11x20x1	
MM	1397.00	289.05	609.60	615.95	162.05	289.05	736.60	177.80			
006	63	11.38	24	32.25	6.38	11.38	39	7	2	(2) 11x24x1	
MM	1600.20	289.05	609.60	819.15	162.05	289.05	990.60	177.80			
008	63	13.13	28	32.25	8	11.38	39	9	2	(2) 11x24x1	
MM	1600.20	333.50	711.20	819.15	203.20	289.05	990.60	228.60			
010	77	13.13	28	38.25	8	15.38	49	9	2	(2) 11x27x1	
MM	1955.80	333.50	711.20	971.55	203.20	390.65	1244.60	228.60			
012	77	13.13	28	46.25	8	11.38	49	9	2	(2) 11x27x1	
MM	1955.80	333.50	711.20	1174.75	203.20	289.05	1244.60	228.60			

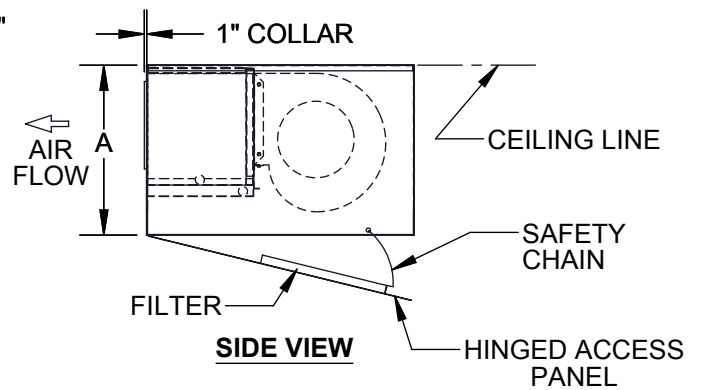
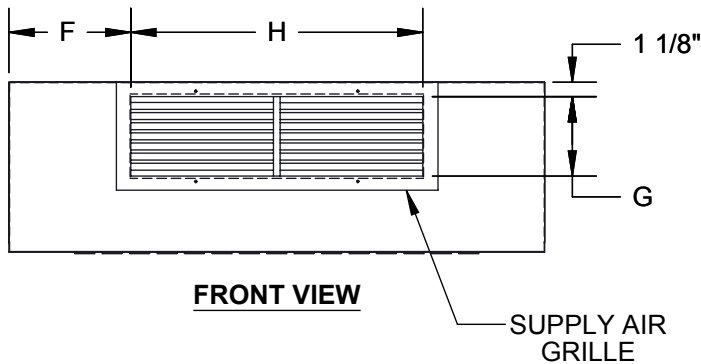
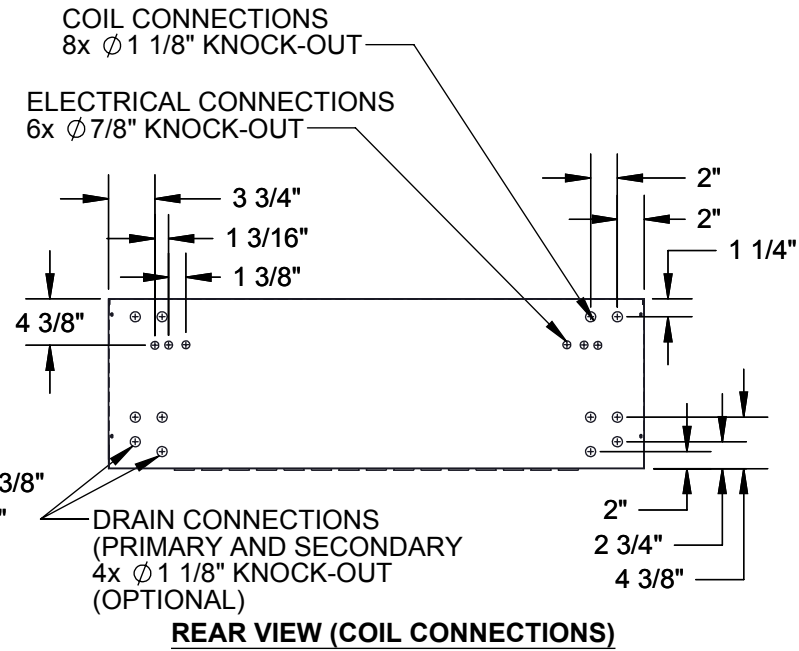
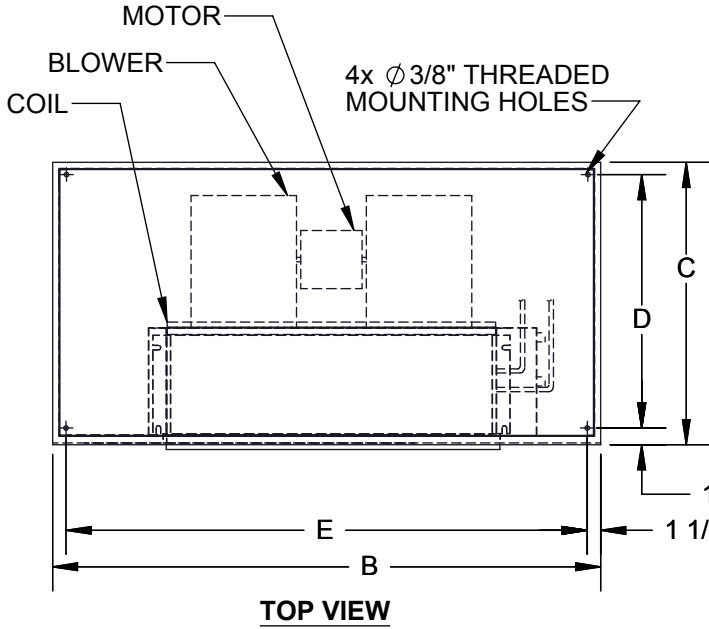
PROPRIETARY AND CONFIDENTIAL
 THE INFORMATION CONTAINED IN THIS DOCUMENT IS THE SOLE
 PROPERTY OF WILLIAMS FURNACE COMPANY. ANY REPRODUCTION
 IN PART OR AS A WHOLE WITHOUT THE WRITTEN PERMISSION OF
 WILLIAMS FURNACE COMPANY IS PROHIBITED.

TITLE:
 LH.Deluxe
 Unit Revision Level B

DWG. NO.
 D107088

REV
 B

DRAWING NOT TO SCALE

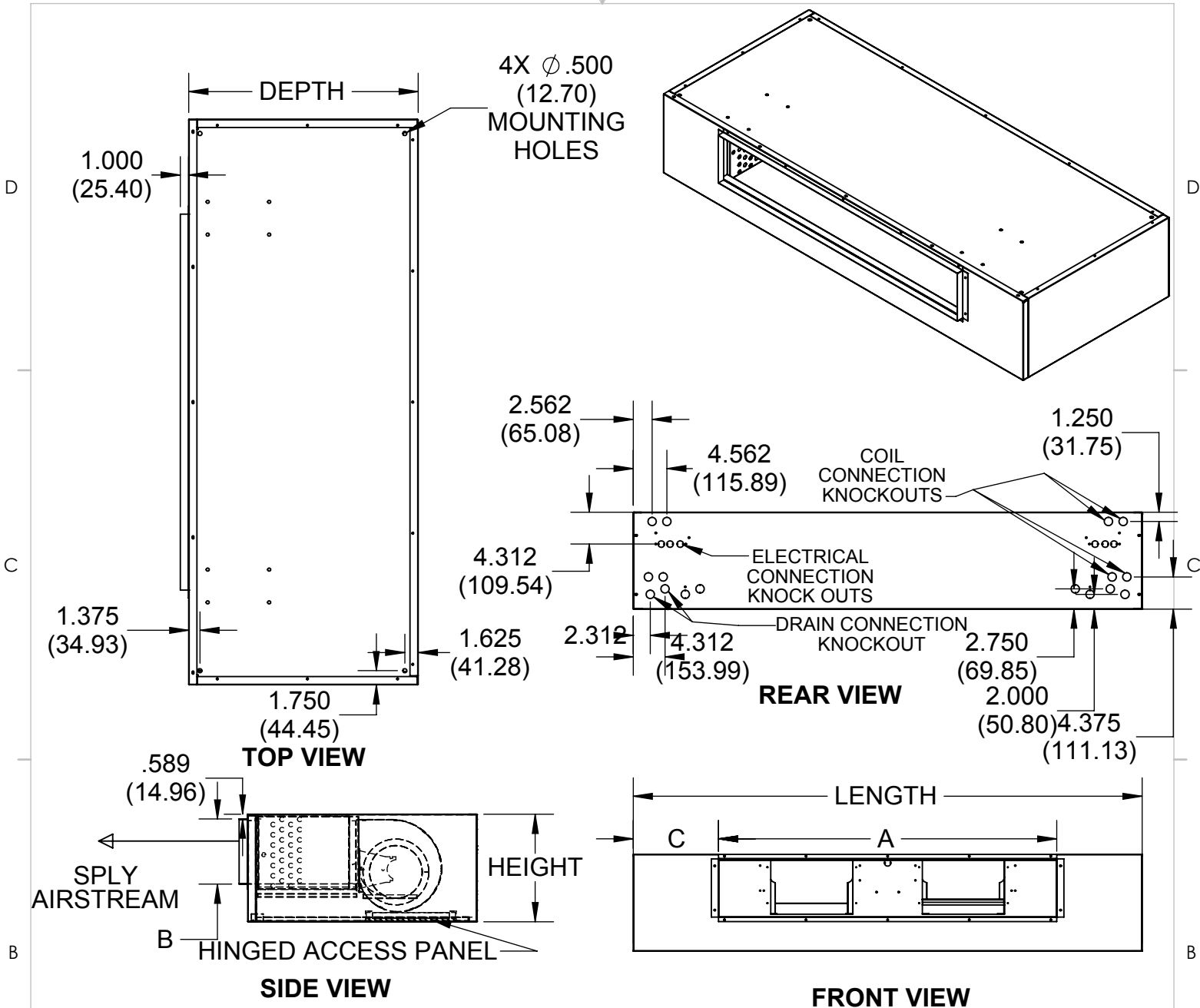


8" OPPOSITE CABINET EXTENSION RIGHT HAND SHOWN

MODEL	A	B	C	D	E	F	G	H	BLOWER QTY	FILTER SIZE
200-300	11 3/8"	51"	24"	21"	48"	20 3/8"	6 1/4"	18 1/4"	1	(2) 11x20x1
400	11 3/8"	51"	24"	21"	48"	17 3/8"	6 1/4"	24 1/4"	2	(2) 11x20x1
600	12 3/8"	61"	28"	25"	58"	19 3/8"	6 1/4"	30 1/4"	2	(2) 11x24x1
800	12 3/8"	61"	28"	25"	58"	19 3/8"	7 3/4"	30 1/4"	2	(2) 11x24x1
1000	12 3/8"	69"	28"	25"	66"	20 3/8"	7 3/4"	36 1/4"	2	(2) 11x27x1
1200	12 3/8"	69"	28"	25"	66"	17 3/8"	7 3/4"	42 1/4"	2	(2) 11x27x1

DELUXE BOTTOM STAMPED
REV A

D107699



IN
(MM)

8" OPPOSITE CABINET EXTENSION

OVERALL				SUPPLY DUCT			BLOWERS	FILTER SIZE
UNIT SIZE	LENGTH	HEIGHT	DEPTH	A	B	C		
002-003	55	11.38	24	18.25	6.38	22.38	1	(2) 11x20x1
MM	1397.00	289.05	609.60	463.55	162.05	568.45		
004	55	11.38	24	24.25	6.38	19.38	2	(2) 11x20x1
MM	1397.00	289.05	609.60	615.95	162.05	492.25		
006	63	11.38	24	32.25	6.38	19.38	2	(2) 11x24x1
MM	1600.20	289.05	609.60	819.15	162.05	492.25		
008	63	13.13	28	32.25	8	19.38	2	(2) 11x24x1
MM	1600.20	333.50	711.20	819.15	203.20	492.25		
010	77	13.13	28	38.25	8	23.38	2	(2) 11x27x1
MM	1955.80	333.50	711.20	971.55	203.20	593.85		
012	77	13.13	28	46.25	8	19.38	2	(2) 11x27x1
MM	1955.80	333.50	711.20	1174.75	203.20	492.25		

RIGHT HAND SHOWN

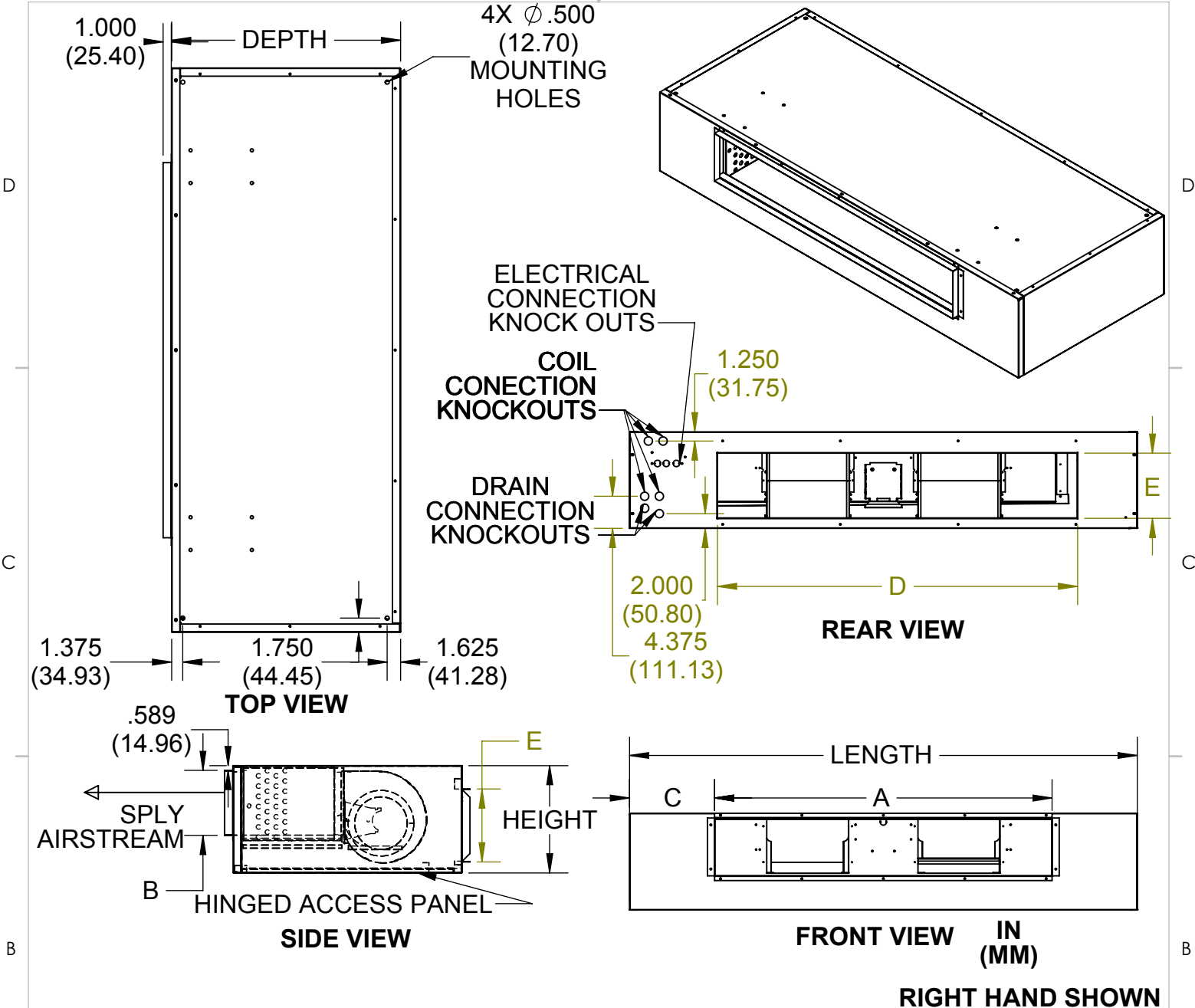
PROPRIETARY AND CONFIDENTIAL
THE INFORMATION CONTAINED IN THIS DOCUMENT IS THE SOLE
PROPERTY OF WILLIAMS FURNACE COMPANY. ANY REPRODUCTION
IN PART OR AS A WHOLE WITHOUT THE WRITTEN PERMISSION OF
WILLIAMS FURNACE COMPANY IS PROHIBITED.

TITLE:
LH.Deluxe
Unit Revision Level B

DWG. NO.
D107714

REV
B

DRAWING NOT TO SCALE



8" OPPOSITE CABINET EXTENSION

OVERALL				SUPPLY DUCT			RETURN DUCT			BLOWERS	FILTER SIZE
UNIT SIZE	LENGTH	HEIGHT	DEPTH	A	B	C	D	E			
002-003	55	11.38	24	18.25	6.38	22.38	29	7	1	(2) 11x20x1	
MM	1397.00	289.05	609.60	463.55	162.05	568.45	736.60	177.80			
004	55	11.38	24	24.25	6.38	19.38	29	7	2	(2) 11x20x1	
MM	1397.00	289.05	609.60	615.95	162.05	492.25	736.60	177.80			
006	63	11.38	24	32.25	6.38	19.38	39	7	2	(2) 11x24x1	
MM	1600.20	289.05	609.60	819.15	162.05	492.25	990.60	177.80			
008	63	13.13	28	32.25	8	19.38	39	9	2	(2) 11x24x1	
MM	1600.20	333.50	711.20	819.15	203.20	492.25	990.60	228.60			
010	77	13.13	28	38.25	8	23.38	49	9	2	(2) 11x27x1	
MM	1955.80	333.50	711.20	971.55	203.20	593.85	1244.60	228.60			
012	77	13.13	28	46.25	8	19.38	49	9	2	(2) 11x27x1	
MM	1955.80	333.50	711.20	1174.75	203.20	492.25	1244.60	228.60			

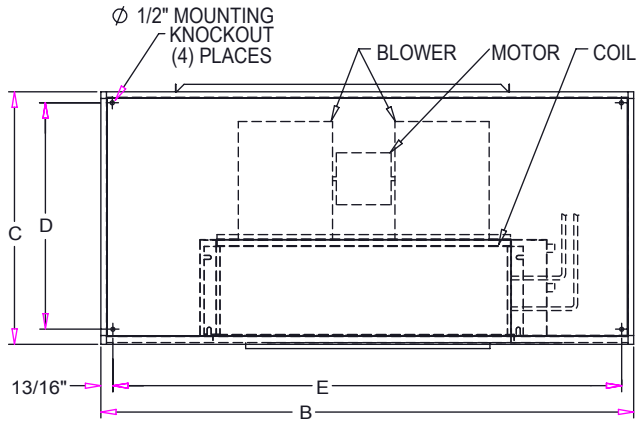
PROPRIETARY AND CONFIDENTIAL
 THE INFORMATION CONTAINED IN THIS DOCUMENT IS THE SOLE
 PROPERTY OF WILLIAMS FURNACE COMPANY. ANY REPRODUCTION
 IN PART OR AS A WHOLE WITHOUT THE WRITTEN PERMISSION OF
 WILLIAMS FURNACE COMPANY IS PROHIBITED.

TITLE:
 LH.Deluxe
 Unit Revision Level B

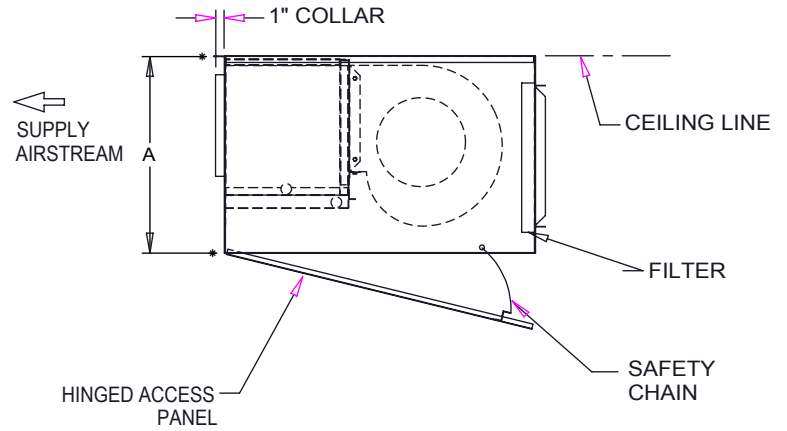
DWG. NO.
 D107557

REV
 B

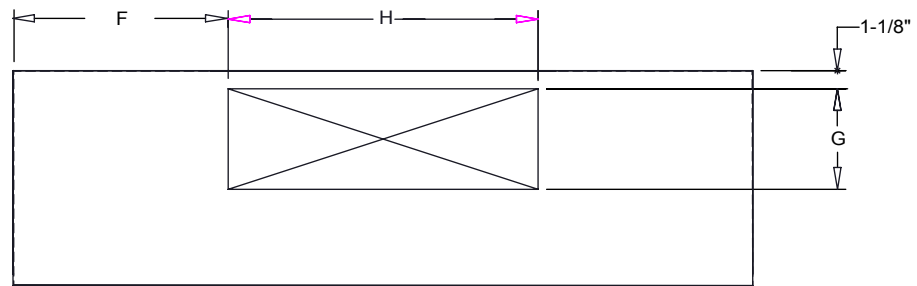
DRAWING NOT TO SCALE



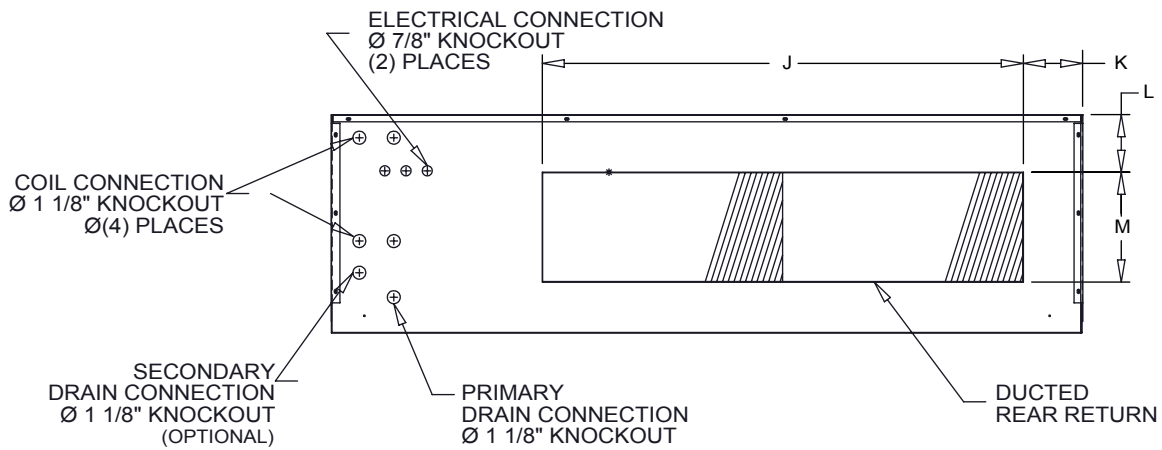
TOP VIEW



SIDE VIEW



FRONT VIEW

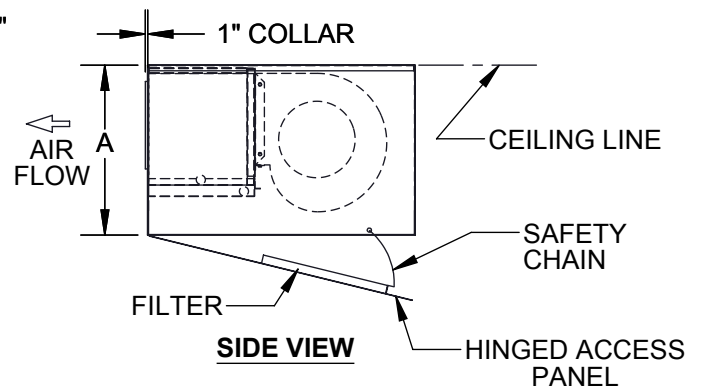
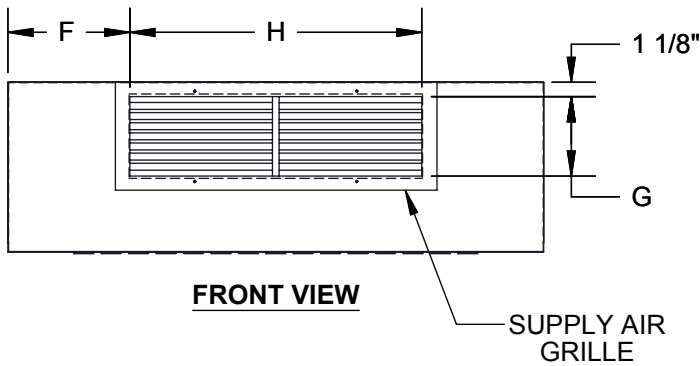
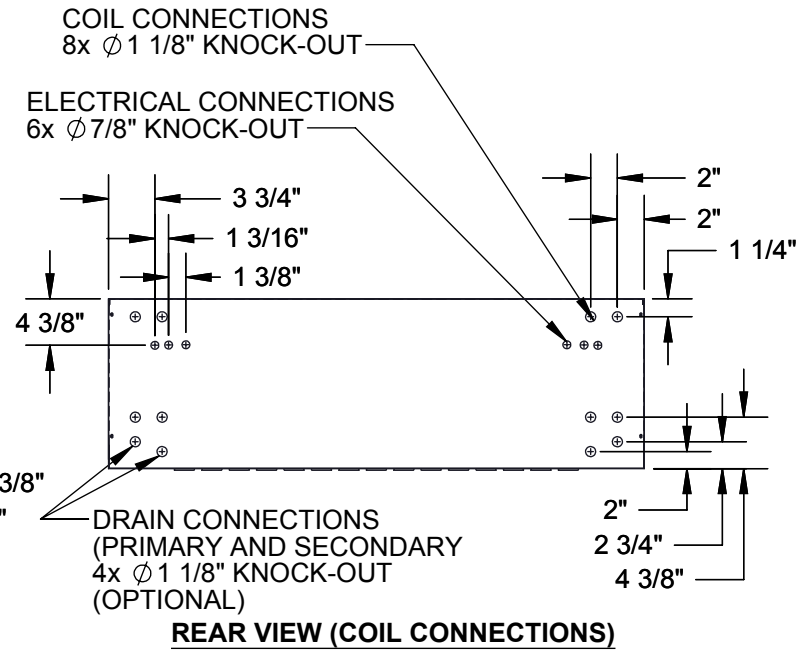
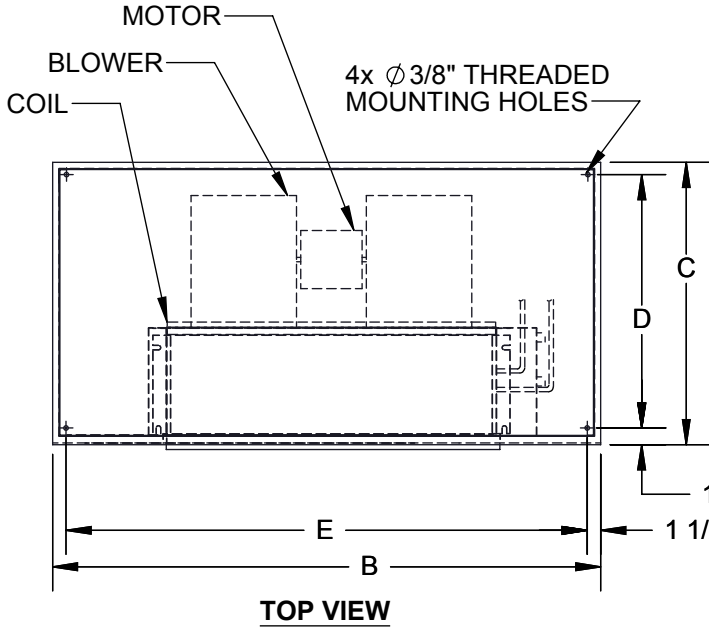


REAR VIEW (COIL CONNECTIONS)

8" OPPOSITE CABINET EXTENSION

RIGHT HAND SHOWN

MODEL	A	B	C	D	E	F	G	H	J	K	L	M	FILTER SIZES
LH002-003	11 3/8	51	24	21 1/8	48	20 3/8	6 1/4	18 1/4	29	10 1/2	2 5/8	7	(1) 8X30X1
LH004	11 3/8	51	24	21	48	17 3/8	6 1/4	24 1/4	29	10 1/2	2 1/2	7	(1) 8X30X1
LH006	12 3/8	61	28	25	58	19 3/8	6 1/4	30 1/4	39	10 1/2	2	9	(2) 10X20X1
LH008	12 3/8	61	28	25	58	19 3/8	7 3/4	30 1/4	39	10 1/2	2	9	(2) 10X20X1
LH010	12 3/8	69	28	25	66	20 3/8	7 3/4	36 1/4	49	10	2	9	(2) 10X25X1
LH012	12 3/8	69	28	25	66	17 3/8	7 3/4	42 1/4	49	10	2	9	(2) 10X25X1

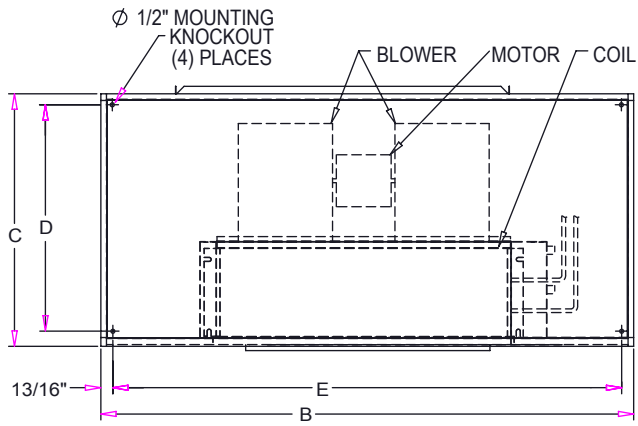


10" HANDED & 6" OPPOSITE CABINET EXTENSION & EXTENDED DRAIN PAN RIGHT HAND SHOWN

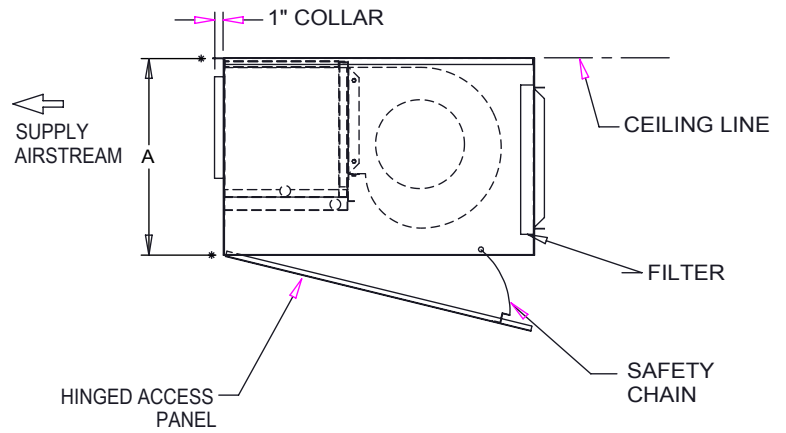
MODEL	A	B	C	D	E	F	G	H	BLOWER QTY	FILTER SIZE
200-300	11 3/8	59	24	21	56	18 3/8	6 1/4	18 1/4	1	(2) 11x20x1
400	11 3/8	59	24	21	56	15 3/8	6 1/4	24 1/4	2	(2) 11x20x1
600	12 3/8	69	28	25	66	17 3/8	6 1/4	30 1/4	2	(2) 11x24x1
800	12 3/8	69	28	25	66	17 3/8	7 3/4	30 1/4	2	(2) 11x24x1
1000	12 3/8	77	28	25	74	18 3/8	7 3/4	36 1/4	2	(2) 11x27x1
1200	12 3/8	77	28	25	74	15 3/8	7 3/4	42 1/4	2	(2) 11x27x1

DELUXE BOTTOM STAMPED
REV A

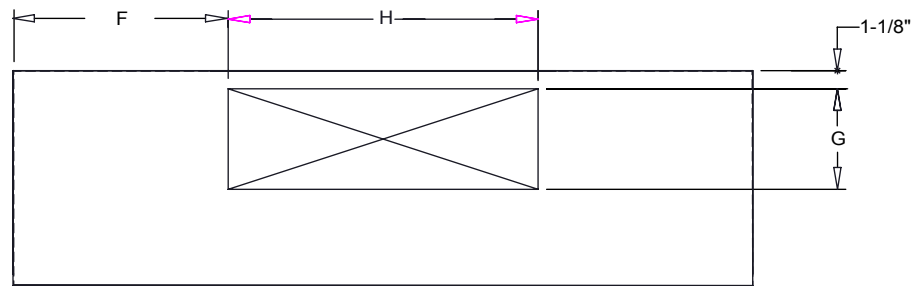
D107705



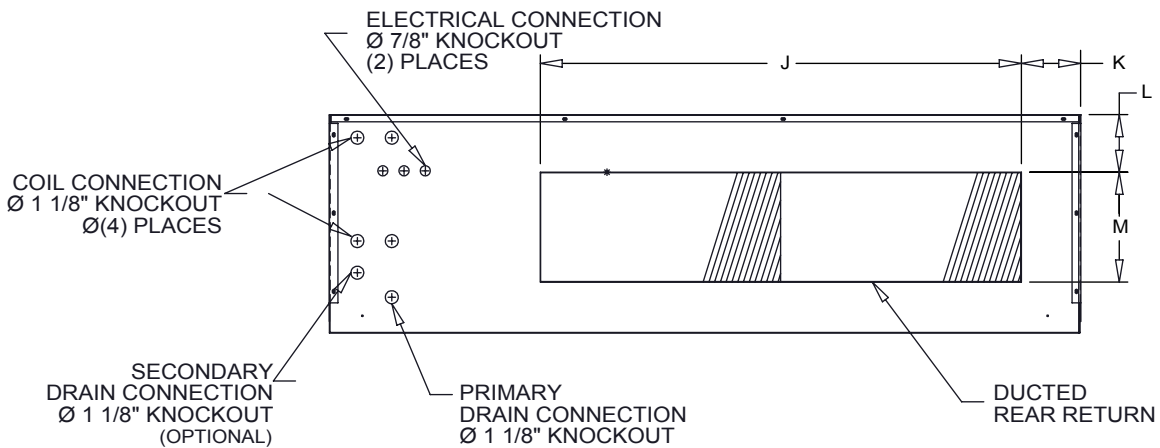
TOP VIEW



SIDE VIEW



FRONT VIEW

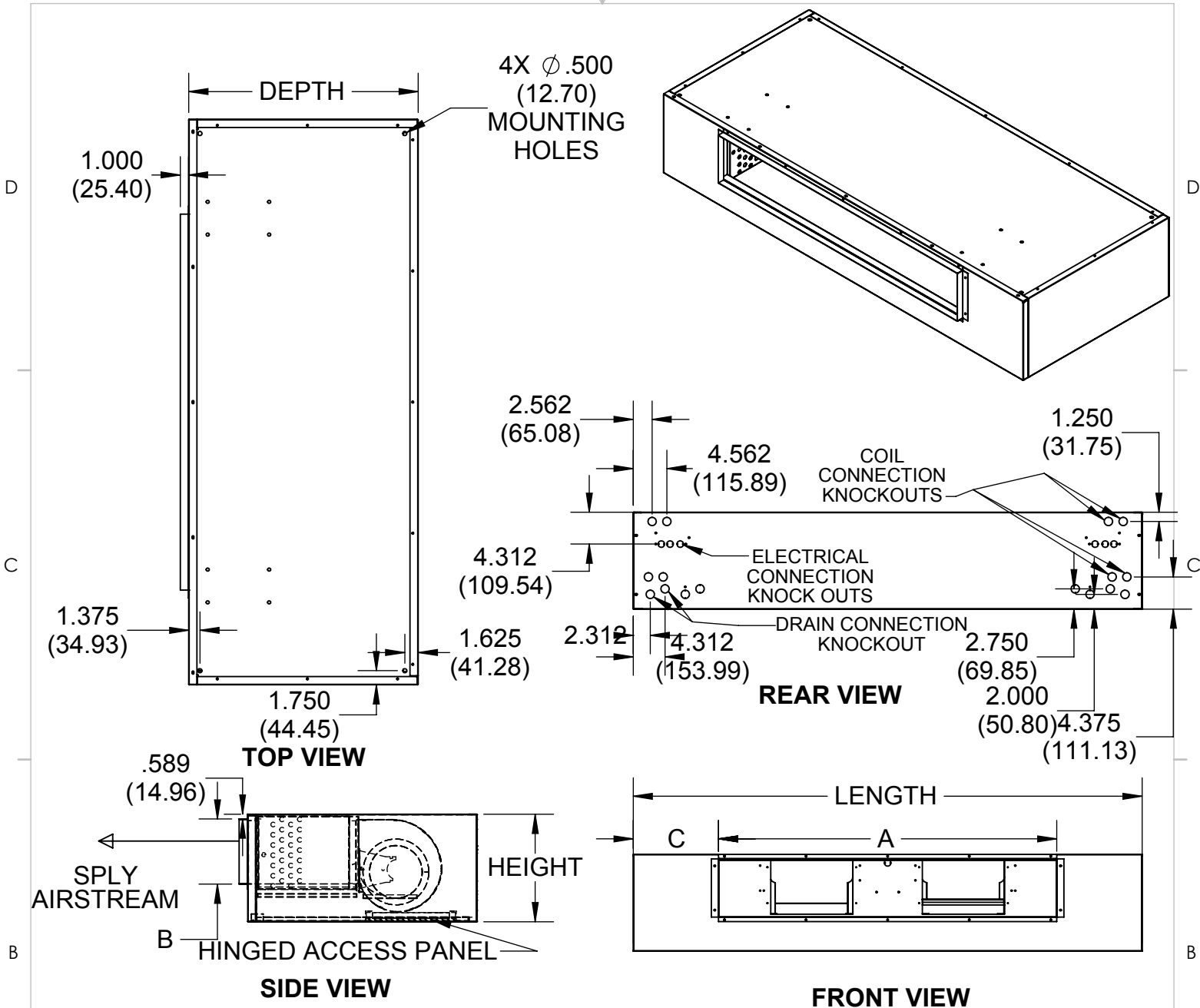


REAR VIEW (COIL CONNECTIONS)

10" HANDED & 6" OPPOSITE CABINET EXTENSION & EXTENDED DRAIN PAN

RIGHT HAND SHOWN

MODEL	A	B	C	D	E	F	G	H	J	K	L	M	FILTER SIZES
LH002-003	11 3/8	59	24	21 1/8	56	18 3/8	6 1/4	18 1/4	29	8 1/2	2 5/8	7	(1) 8X30X1
LH004	11 3/8	59	24	21	56	15 3/8	6 1/4	24 1/4	29	8 1/2	2 1/2	7	(1) 8X30X1
LH006	12 3/8	69	28	25	66	17 3/8	6 1/4	30 1/4	39	8 1/2	2	9	(2) 10X20X1
LH008	12 3/8	69	28	25	66	17 3/8	7 3/4	30 1/4	39	8 1/2	2	9	(2) 10X20X1
LH010	12 3/8	77	28	25	74	18 3/8	7 3/4	36 1/4	49	8	2	9	(2) 10X25X1
LH012	12 3/8	77	28	25	74	15 3/8	7 3/4	42 1/4	49	8	2	9	(2) 10X25X1



IN (MM)

10" HANDED & 6" OPPOSITE CABINET EXTENSION & EXTENDED DRAIN PAN

OVERALL				SUPPLY DUCT			BLOWERS	FILTER SIZE
UNIT SIZE	LENGTH	HEIGHT	DEPTH	A	B	C		
002-003	63	11.38	24	18.25	6.38	20.38	1	(2) 11x20x1
MM	1600.20	289.05	609.60	463.55	162.05	517.65		
004	63	11.38	24	24.25	6.38	17.38	2	(2) 11x20x1
MM	1600.20	289.05	609.60	615.95	162.05	441.45		
006	71	11.38	24	32.25	6.38	17.38	2	(2) 11x24x1
MM	1803.40	289.05	609.60	819.15	162.05	441.45		
008	71	13.13	28	32.25	8	17.38	2	(2) 11x24x1
MM	1803.40	333.50	711.20	819.15	203.20	441.45		
010	85	13.13	28	38.25	8	21.38	2	(2) 11x27x1
MM	2159.00	333.50	711.20	971.55	203.20	543.05		
012	85	13.13	28	46.25	8	17.38	2	(2) 11x27x1
MM	2159.00	333.50	711.20	1174.75	203.20	441.45		

RIGHT HAND SHOWN

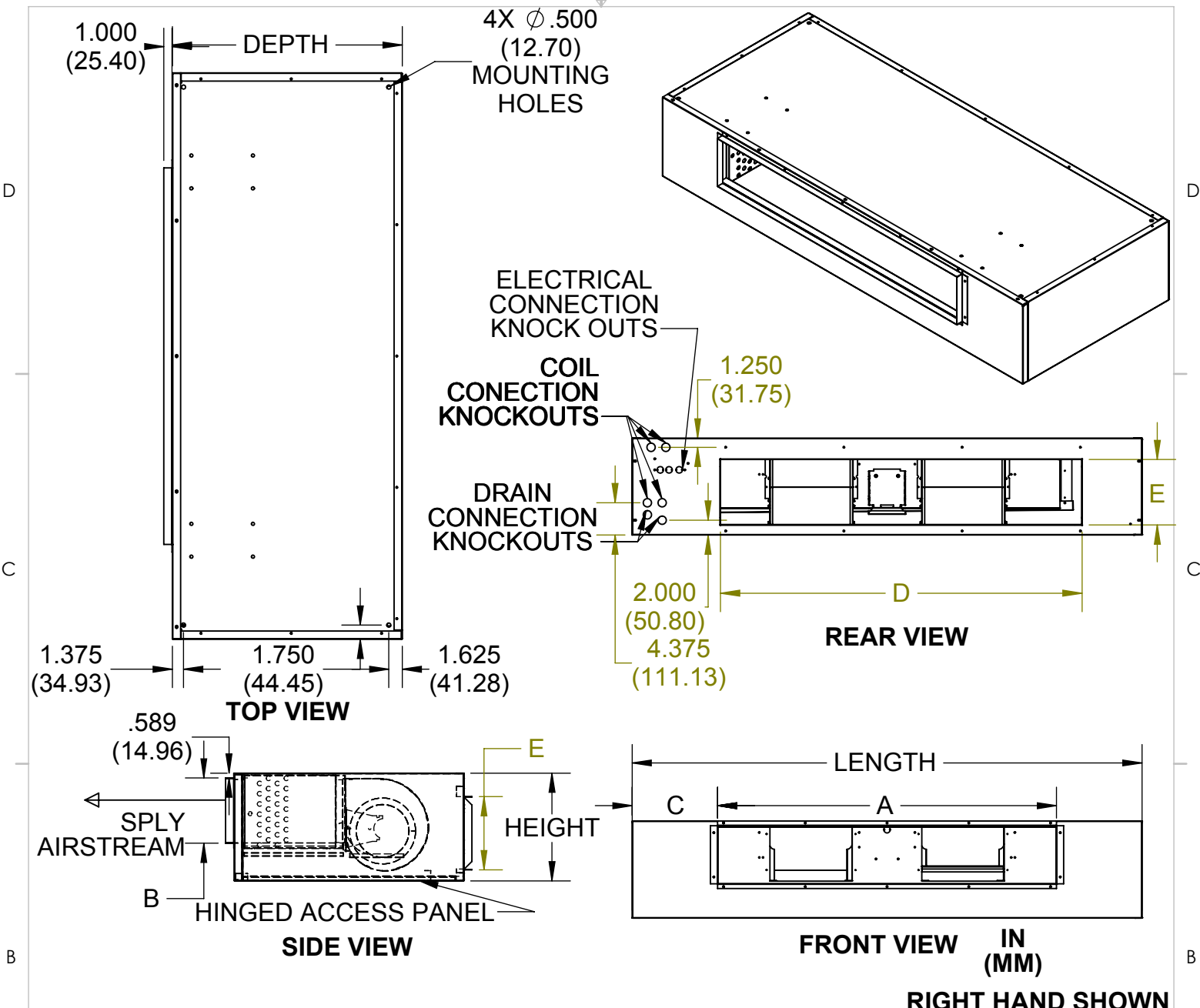
PROPRIETARY AND CONFIDENTIAL
 THE INFORMATION CONTAINED IN THIS DOCUMENT IS THE SOLE PROPERTY OF WILLIAMS FURNACE COMPANY. ANY REPRODUCTION IN PART OR AS A WHOLE WITHOUT THE WRITTEN PERMISSION OF WILLIAMS FURNACE COMPANY IS PROHIBITED.

TITLE:
 LH.Deluxe
 Unit Revision Level B

DWG. NO.
 D107720

REV
 B

DRAWING NOT TO SCALE



10" HANDED & 6" OPPOSITE CABINET EXTENSION & EXTENDED DRAIN PAN

OVERALL				SUPPLY DUCT			RETURN DUCT			BLOWERS	FILTER SIZE
UNIT SIZE	LENGTH	HEIGHT	DEPTH	A	B	C	D	E			
002-003	63	11.38	24	18.25	6.38	20.38	29	7	1	(2) 11x20x1	
MM	1600.20	289.05	609.60	463.55	162.05	517.65	736.60	177.80			
004	63	11.38	24	24.25	6.38	17.38	29	7	2	(2) 11x20x1	
MM	1600.20	289.05	609.60	615.95	162.05	441.45	736.60	177.80			
006	71	11.38	24	32.25	6.38	17.38	39	7	2	(2) 11x24x1	
MM	1803.40	289.05	609.60	819.15	162.05	441.45	990.60	177.80			
008	71	13.13	28	32.25	8	17.38	39	9	2	(2) 11x24x1	
MM	1803.40	333.50	711.20	819.15	203.20	441.45	990.60	228.60			
010	85	13.13	28	38.25	8	21.38	49	9	2	(2) 11x27x1	
MM	2159.00	333.50	711.20	971.55	203.20	543.05	1244.60	228.60			
012	85	13.13	28	46.25	8	17.38	49	9	2	(2) 11x27x1	
MM	2159.00	333.50	711.20	1174.75	203.20	441.45	1244.60	228.60			

PROPRIETARY AND CONFIDENTIAL
 THE INFORMATION CONTAINED IN THIS DOCUMENT IS THE SOLE
 PROPERTY OF WILLIAMS FURNACE COMPANY. ANY REPRODUCTION
 IN PART OR AS A WHOLE WITHOUT THE WRITTEN PERMISSION OF
 WILLIAMS FURNACE COMPANY IS PROHIBITED.

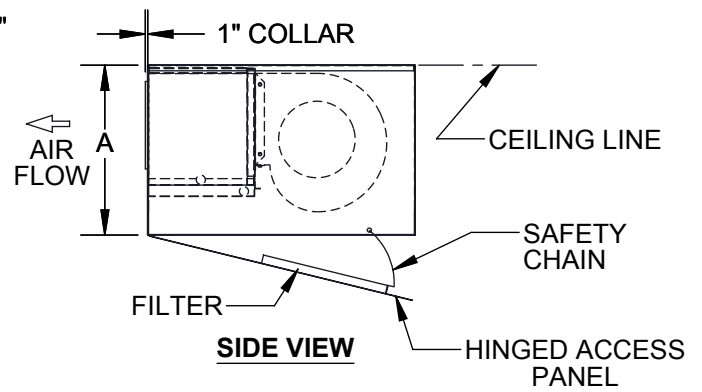
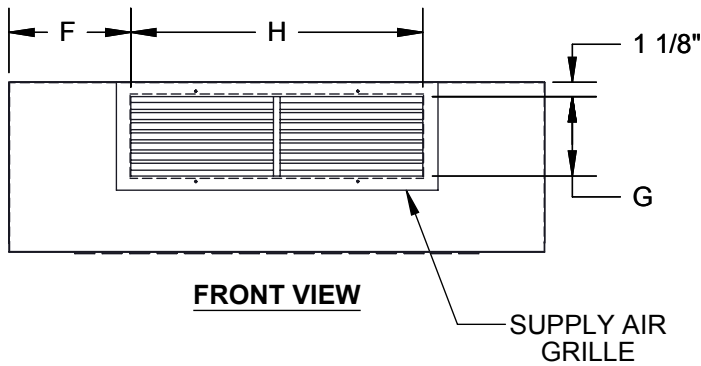
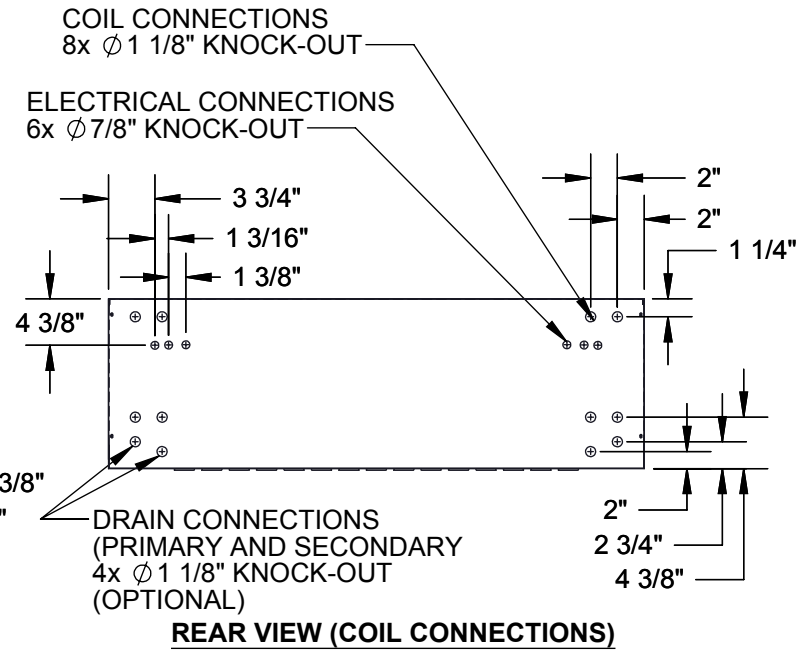
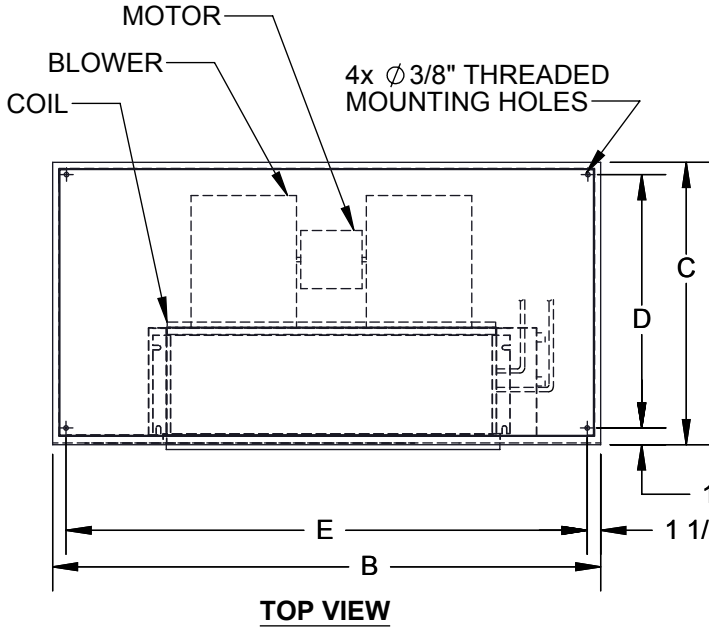
TITLE:

LH.Deluxe
 Unit Revision Level B

DWG. NO.
 D107565

REV
 B

DRAWING NOT TO SCALE

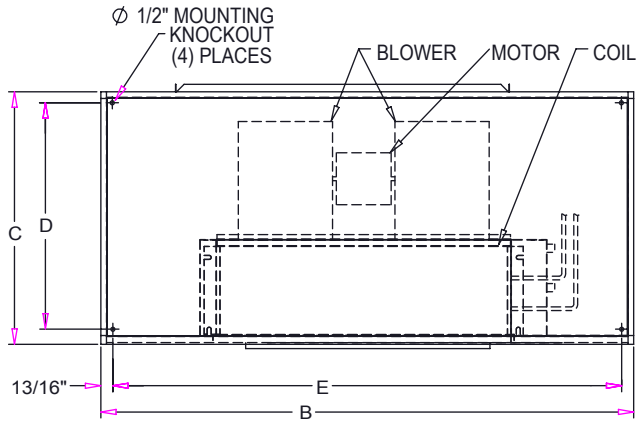


10" HANDED & 8" OPPOSITE CABINET EXTENSION & EXTENDED DRAIN PAN RIGHT HAND SHOWN

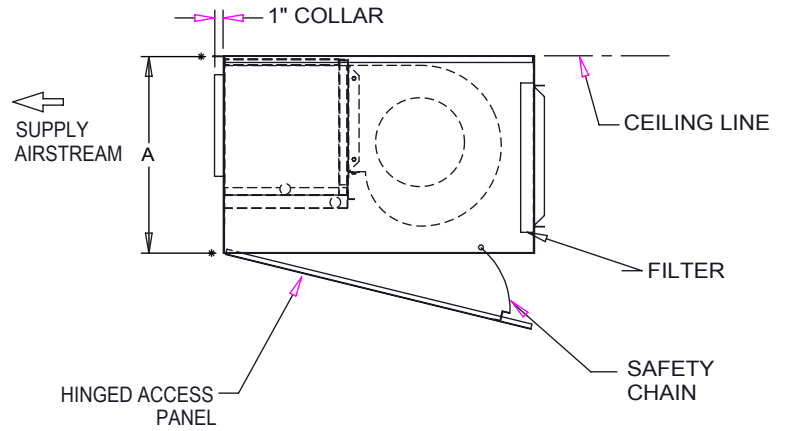
MODEL	A	B	C	D	E	F	G	H	BLOWER QTY	FILTER SIZE
200-300	11 3/8"	61"	24"	21"	58"	20 3/8"	6 1/4"	18 1/4"	1	(2) 11x20x1
400	11 3/8"	61"	24"	21"	58"	17 3/8"	6 1/4"	24 1/4"	2	(2) 11x20x1
600	12 3/8"	71"	28"	25"	68"	19 3/8"	6 1/4"	30 1/4"	2	(2) 11x24x1
800	12 3/8"	71"	28"	25"	68"	19 3/8"	7 3/4"	30 1/4"	2	(2) 11x24x1
1000	12 3/8"	79"	28"	25"	76"	20 3/8"	7 3/4"	36 1/4"	2	(2) 11x27x1
1200	12 3/8"	79"	28"	25"	76"	17 3/8"	7 3/4"	42 1/4"	2	(2) 11x27x1

DELUXE BOTTOM STAMPED
REV A

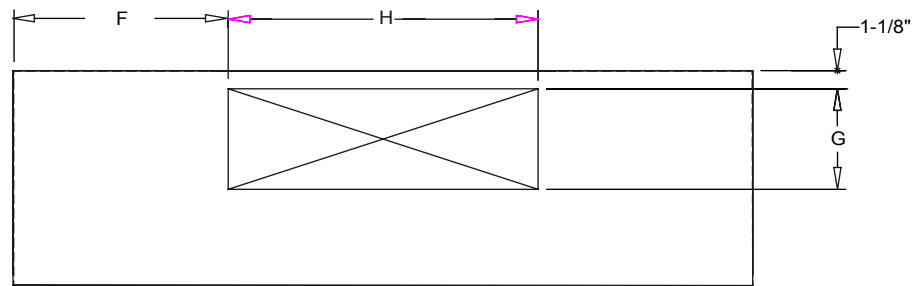
D107706



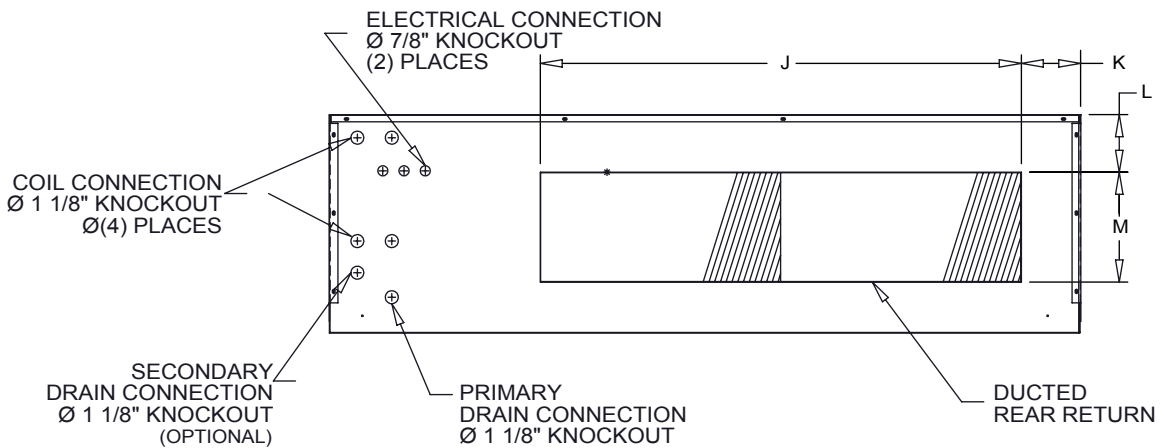
TOP VIEW



SIDE VIEW



FRONT VIEW

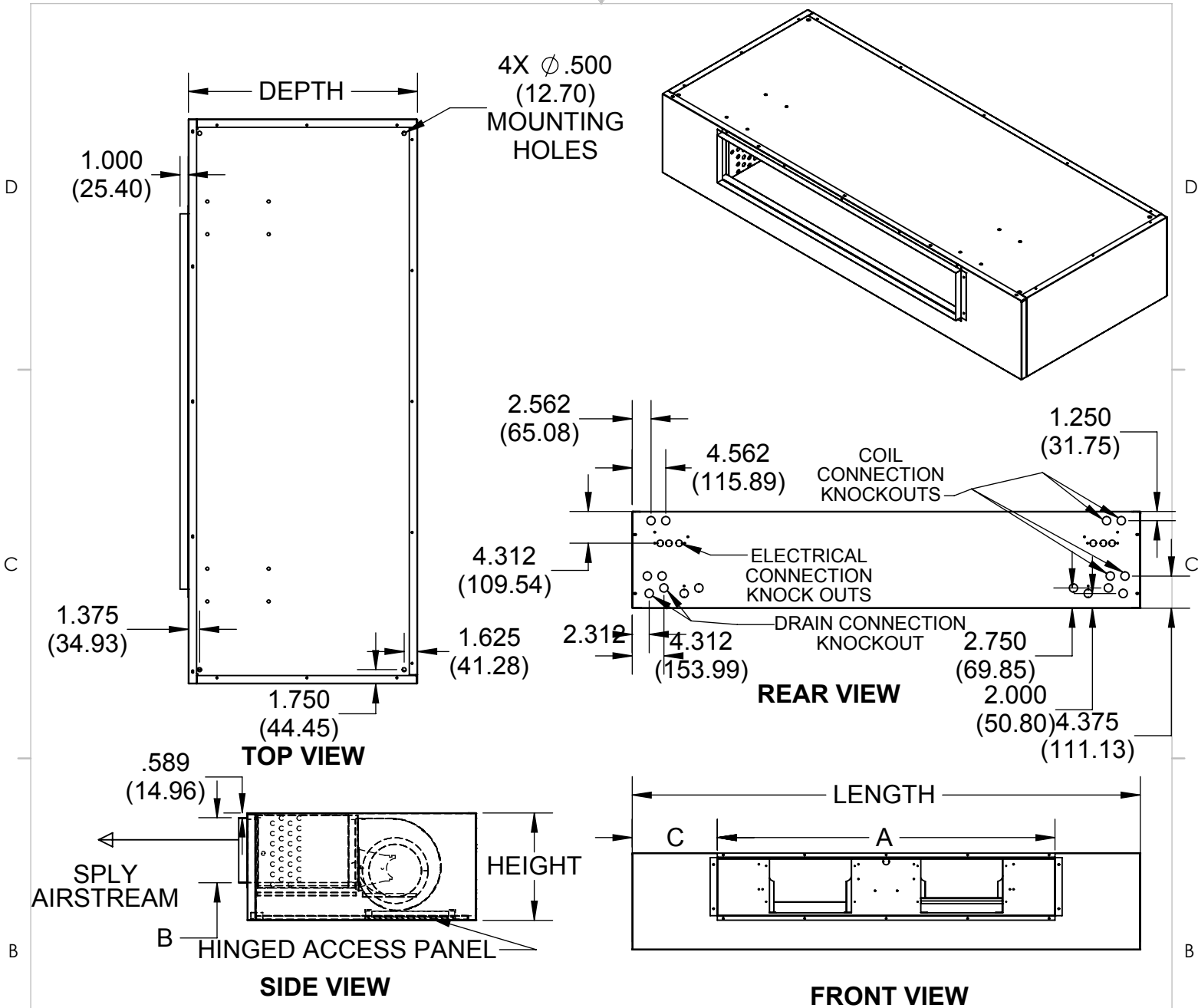


REAR VIEW (COIL CONNECTIONS)

10" HANDED & 8" OPPOSITE CABINET EXTENSION & EXTENDED DRAIN PAN

RIGHT HAND SHOWN

MODEL	A	B	C	D	E	F	G	H	J	K	L	M	FILTER SIZES
LH002-003	11 3/8	61	24	21 1/8	58	20 3/8	6 1/4	18 1/4	29	10 1/2	2 5/8	7	(1) 8X30X1
LH004	11 3/8	61	24	21	58	17 3/8	6 1/4	24 1/4	29	10 1/2	2 1/2	7	(1) 8X30X1
LH006	12 3/8	71	28	25	68	19 3/8	6 1/4	30 1/4	39	10 1/2	2	9	(2) 10X20X1
LH008	12 3/8	71	28	25	68	19 3/8	7 3/4	30 1/4	39	10 1/2	2	9	(2) 10X20X1
LH010	12 3/8	79	28	25	76	20 3/8	7 3/4	36 1/4	49	10	2	9	(2) 10X25X1
LH012	12 3/8	79	28	25	76	17 3/8	7 3/4	42 1/4	49	10	2	9	(2) 10X25X1



10" HANDED & 8" OPPOSITE CABINET EXTENSION & EXTENDED DRAIN PAN

IN (MM)

OVERALL				SUPPLY DUCT			BLOWERS	FILTER SIZE
UNIT SIZE	LENGTH	HEIGHT	DEPTH	A	B	C		
002-003	65	11.38	24	18.25	6.38	22.38	1	(2) 11x20x1
MM	1651.00	289.05	609.60	463.55	162.05	568.45		
004	65	11.38	24	24.25	6.38	19.38	2	(2) 11x20x1
MM	130.00	22.76	48.00	48.50	12.76	38.76		
006	73	11.38	24	32.25	6.38	19.38	2	(2) 11x24x1
MM	1854.20	289.05	609.60	819.15	162.05	492.25		
008	73	13.13	28	32.25	8	19.38	2	(2) 11x24x1
MM	1854.20	333.50	711.20	819.15	203.20	492.25		
010	87	13.13	28	38.25	8	23.38	2	(2) 11x27x1
MM	2209.80	333.50	711.20	971.55	203.20	593.85		
012	87	13.13	28	46.25	8	19.38	2	(2) 11x27x1
MM	2209.80	333.50	711.20	1174.75	203.20	492.25		

RIGHT HAND SHOWN

PROPRIETARY AND CONFIDENTIAL
 THE INFORMATION CONTAINED IN THIS DOCUMENT IS THE SOLE PROPERTY OF WILLIAMS FURNACE COMPANY. ANY REPRODUCTION IN PART OR AS A WHOLE WITHOUT THE WRITTEN PERMISSION OF WILLIAMS FURNACE COMPANY IS PROHIBITED.

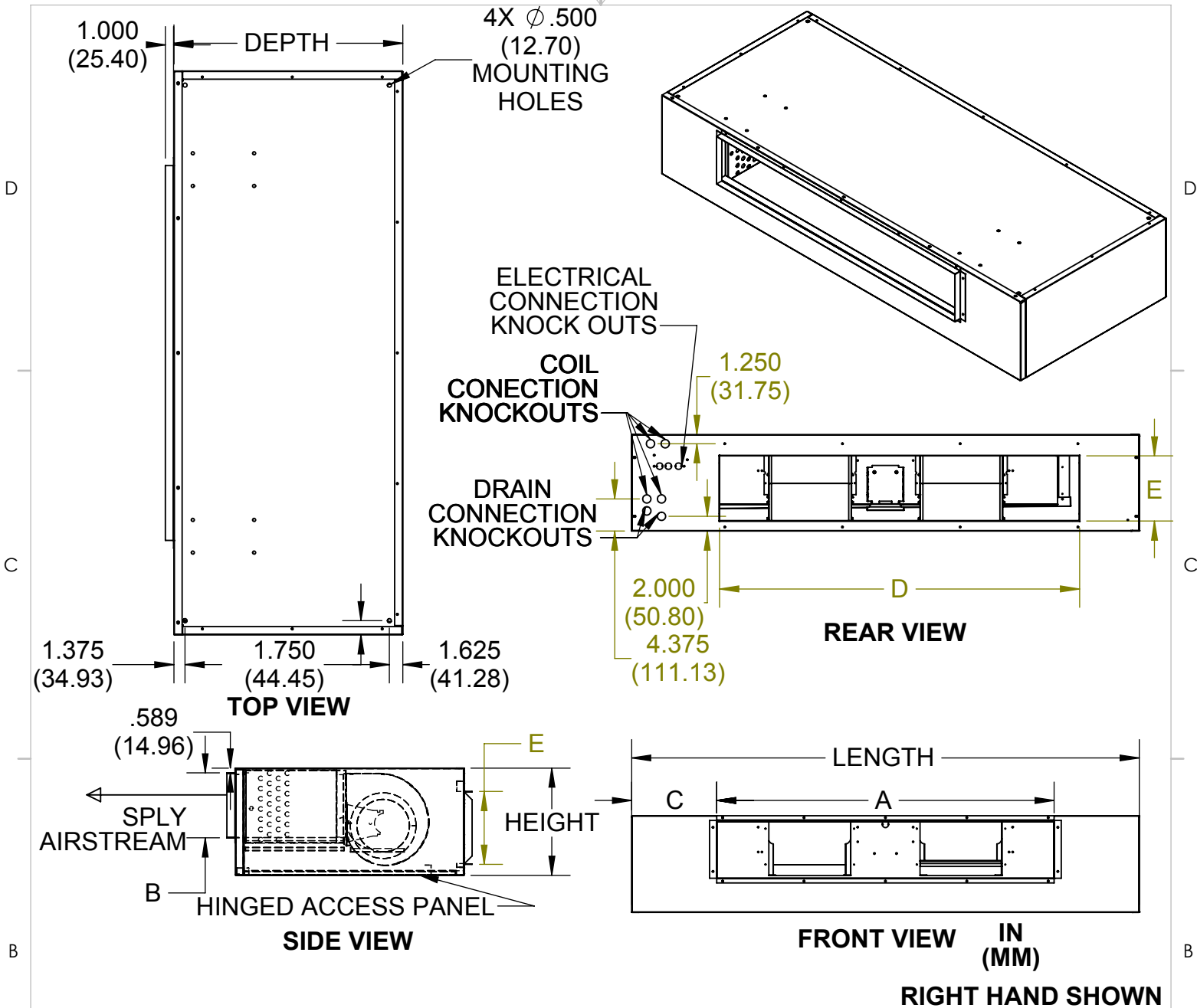
TITLE:
 LH.Deluxe
 Unit Revision Level B

DWG. NO.
 D104029

REV
 B

WILLIAMS
 250 Laurel Street
 Colton, California 92324

DRAWING NOT TO SCALE



10" HANDED & 8" OPPOSITE CABINET EXTENSION & EXTENDED DRAIN PAN

OVERALL				SUPPLY DUCT			RETURN DUCT			BLOWERS	FILTER SIZE
UNIT SIZE	LENGTH	HEIGHT	DEPTH	A	B	C	D	E			
002-003	65	11.38	24	18.25	6.38	22.38	29	7	1	(2) 11x20x1	
MM	1651.00	289.05	609.60	463.55	162.05	568.45	736.60	177.80			
004	65	11.38	24	24.25	6.38	19.38	29	7	2	(2) 11x20x1	
MM	1651.00	289.05	609.60	615.95	162.05	492.25	736.60	177.80			
006	73	11.38	24	32.25	6.38	19.38	39	7	2	(2) 11x24x1	
MM	1854.20	289.05	609.60	819.15	162.05	492.25	990.60	177.80			
008	73	13.13	28	32.25	8	19.38	39	9	2	(2) 11x24x1	
MM	1854.20	333.50	711.20	819.15	203.20	492.25	990.60	228.60			
010	87	13.13	28	38.25	8	23.38	49	9	2	(2) 11x27x1	
MM	2209.80	333.50	711.20	971.55	203.20	593.85	1244.60	228.60			
012	87	13.13	28	46.25	8	19.38	49	9	2	(2) 11x27x1	
MM	2209.80	333.50	711.20	1174.75	203.20	492.25	1244.60	228.60			

PROPRIETARY AND CONFIDENTIAL
 THE INFORMATION CONTAINED IN THIS DOCUMENT IS THE SOLE
 PROPERTY OF WILLIAMS FURNACE COMPANY. ANY REPRODUCTION
 IN PART OR AS A WHOLE WITHOUT THE WRITTEN PERMISSION OF
 WILLIAMS FURNACE COMPANY IS PROHIBITED.

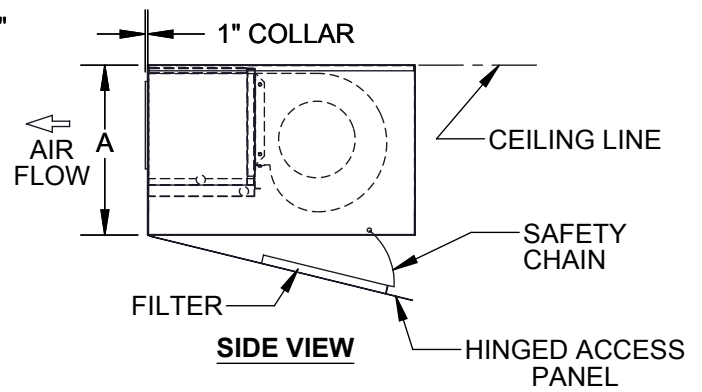
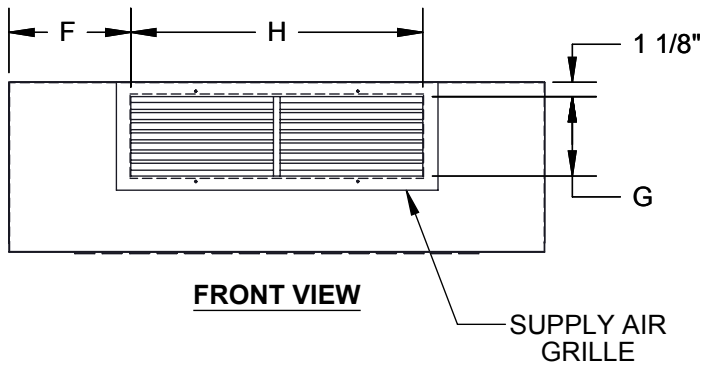
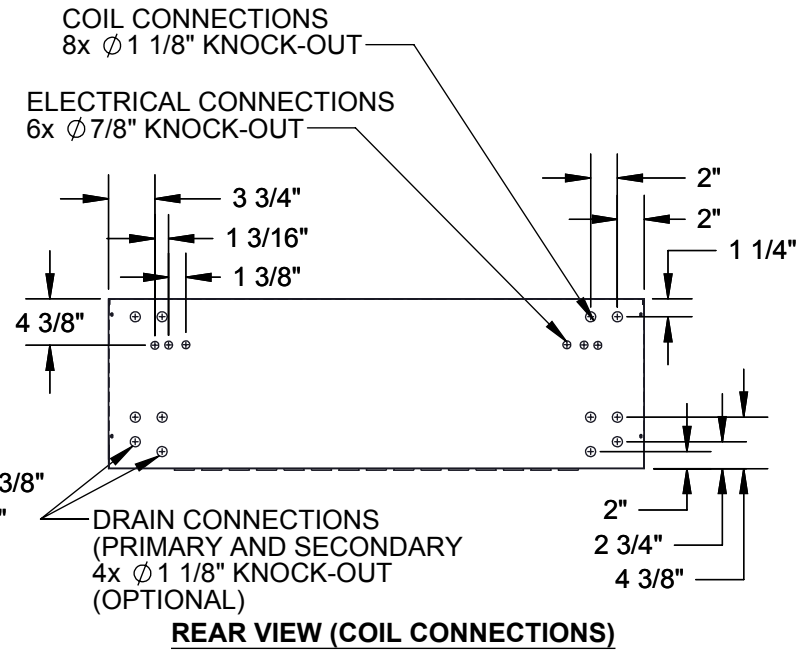
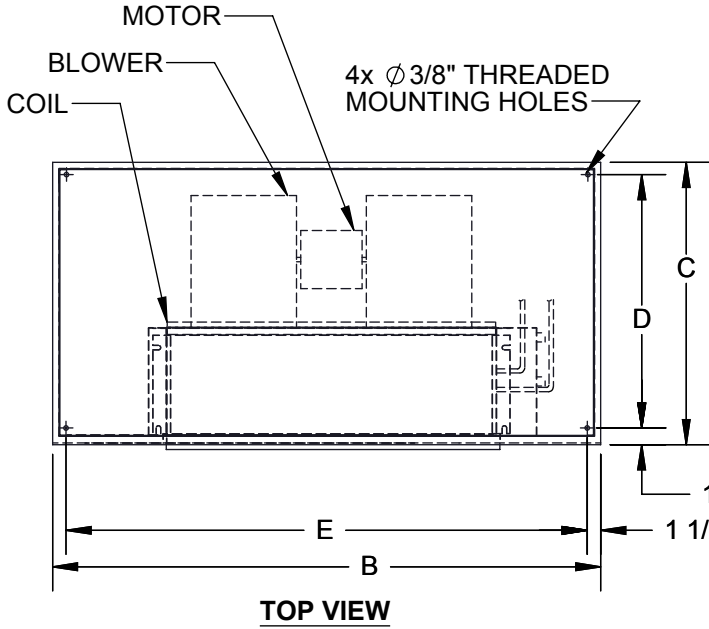
TITLE:

LH.Deluxe
 Unit Revision Level B

DWG. NO.
 D107566

REV
 B

DRAWING NOT TO SCALE

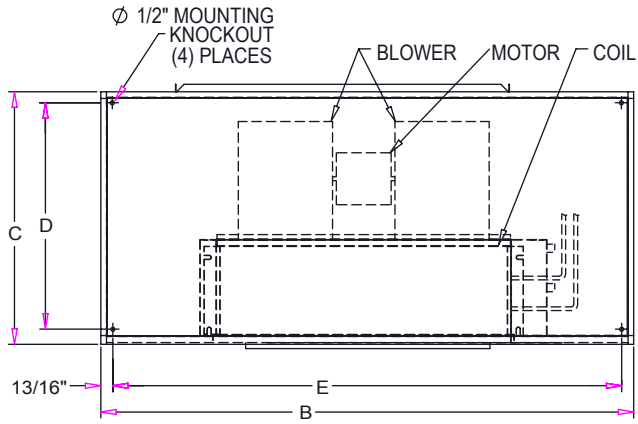


10" HANDED & 10" OPPOSITE CABINET EXTENTION & EXTENDED DRAIN PAN RIGHT HAND SHOWN

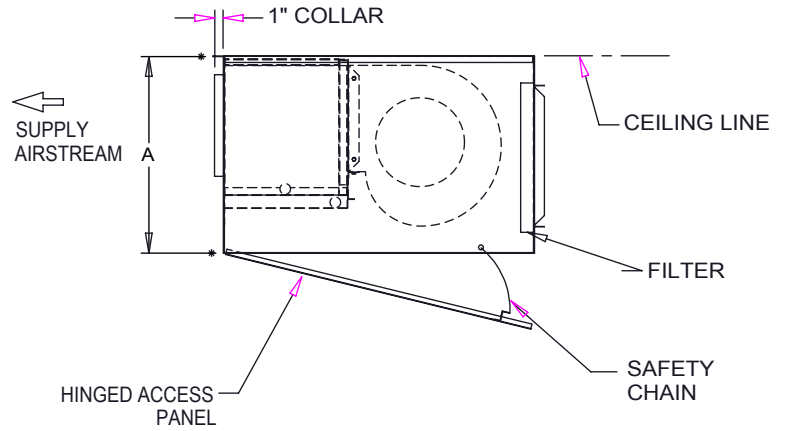
MODEL	A	B	C	D	E	F	G	H	BLOWER QTY	FILTER SIZE
200-300	11 3/8"	63"	24"	21"	60"	22 3/8"	6 1/4"	18 1/4"	1	(2) 11x20x1
400	11 3/8"	63"	24"	21"	60"	19 3/8"	6 1/4"	24 1/4"	2	(2) 11x20x1
600	12 3/8"	73"	28"	25"	70"	21 3/8"	6 1/4"	30 1/4"	2	(2) 11x24x1
800	12 3/8"	73"	28"	25"	70"	21 3/8"	7 3/4"	30 1/4"	2	(2) 11x24x1
1000	12 3/8"	81"	28"	25"	78"	22 3/8"	7 3/4"	36 1/4"	2	(2) 11x27x1
1200	12 3/8"	81"	28"	25"	78"	19 3/8"	7 3/4"	42 1/4"	2	(2) 11x27x1

DELUXE BOTTOM STAMPED
REV A

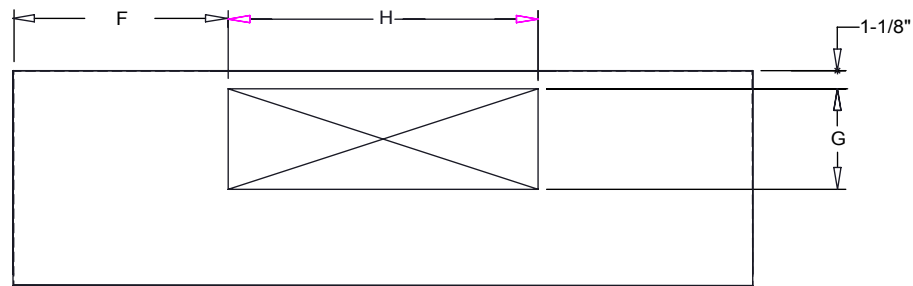
D107707



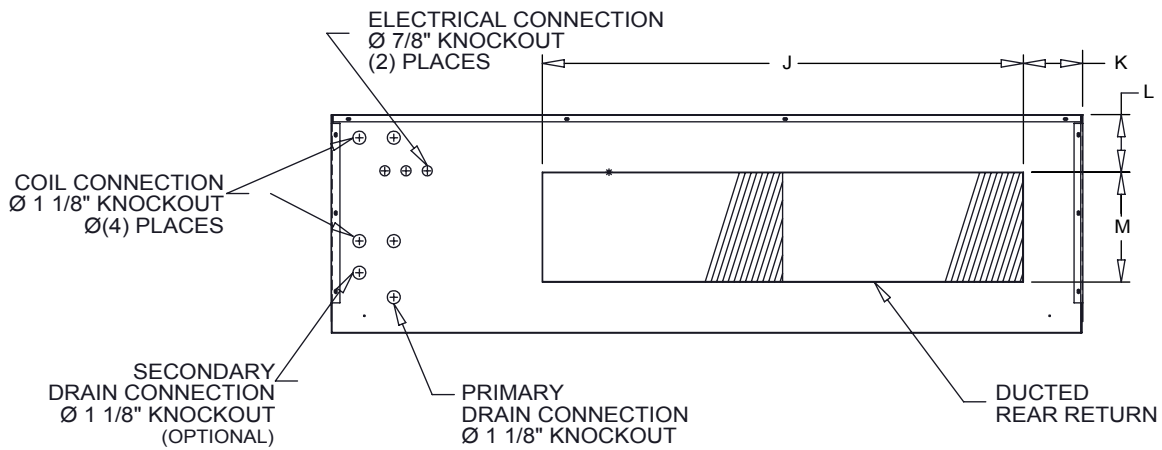
TOP VIEW



SIDE VIEW



FRONT VIEW

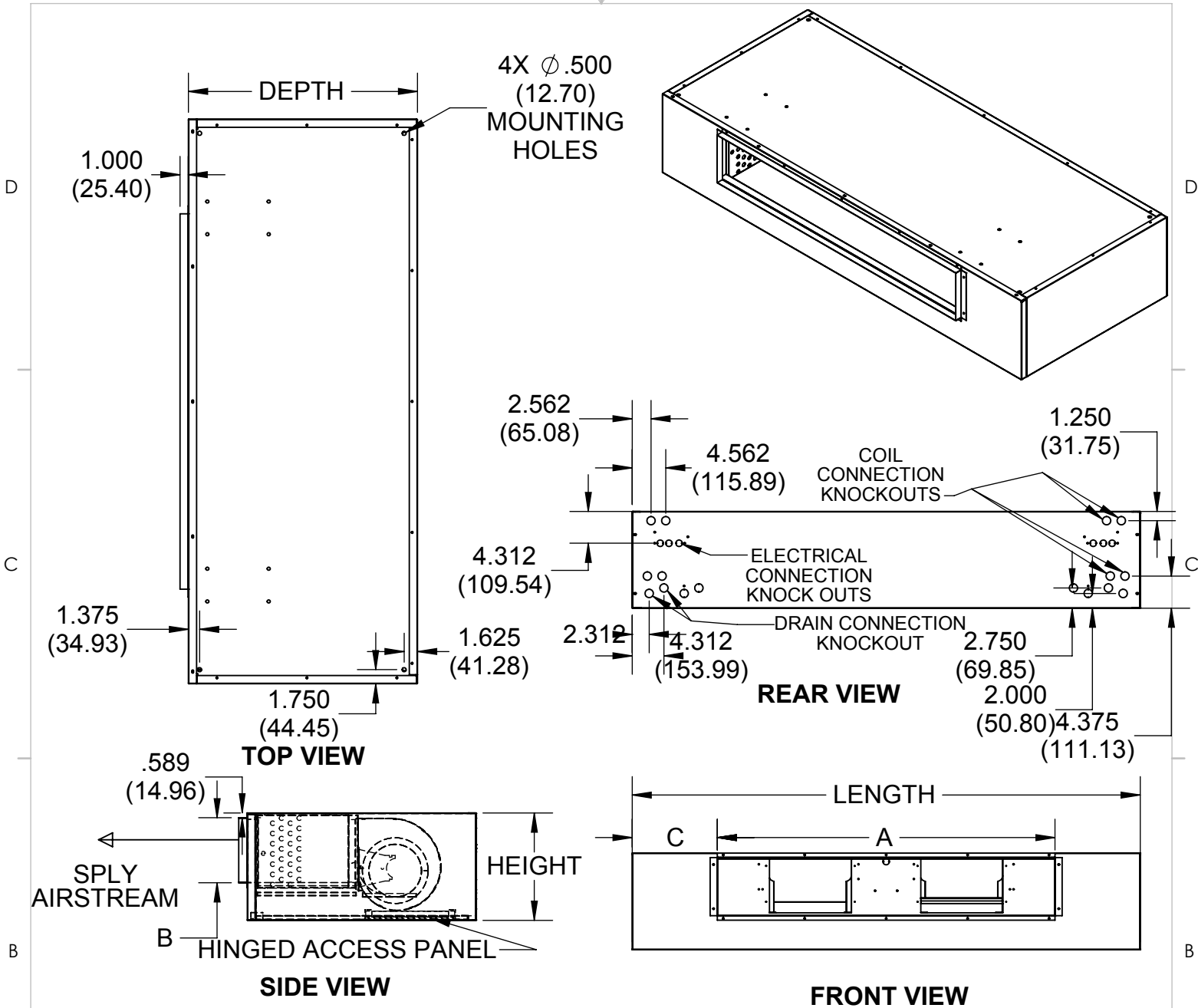


REAR VIEW (COIL CONNECTIONS)

10" HANDED & 10" OPPOSITE CABINET EXTENSION & EXTENDED DRAIN PAN

RIGHT HAND SHOWN

MODEL	A	B	C	D	E	F	G	H	J	K	L	M	FILTER SIZES
LH002-003	11 3/8	63	24	21 1/8	60	22 3/8	6 1/4	18 1/4	29	12 1/2	2 5/8	7	(1) 8X30X1
LH004	11 3/8	63	24	21	60	19 3/8	6 1/4	24 1/4	29	12 1/2	2 1/2	7	(1) 8X30X1
LH006	12 3/8	73	28	25	70	21 3/8	6 1/4	30 1/4	39	12 1/2	2	9	(2) 10X20X1
LH008	12 3/8	73	28	25	70	21 3/8	7 3/4	30 1/4	39	12 1/2	2	9	(2) 10X20X1
LH010	12 3/8	81	28	25	78	22 3/8	7 3/4	36 1/4	49	12	2	9	(2) 10X25X1
LH012	12 3/8	81	28	25	78	19 3/8	7 3/4	42 1/4	49	12	2	9	(2) 10X25X1



IN (MM)

10" HANDED & 10" OPPOSITE CABINET EXTENSION & EXTENDED DRAIN PAN

OVERALL				SUPPLY DUCT			BLOWERS	FILTER SIZE
UNIT SIZE	LENGTH	HEIGHT	DEPTH	A	B	C		
002-003	67	11.38	24	18.25	6.38	24.38	1	(2) 11x20x1
MM	1701.80	289.05	609.60	463.55	162.05	619.25		
004	67	11.38	24	24.25	6.38	21.38	2	(2) 11x20x1
MM	1701.80	289.05	609.60	615.95	162.05	543.05		
006	75	11.38	24	32.25	6.38	21.38	2	(2) 11x24x1
MM	1905.00	289.05	609.60	819.15	162.05	543.05		
008	75	13.13	28	32.25	8	21.38	2	(2) 11x24x1
MM	1905.00	333.50	711.20	819.15	203.20	543.05		
010	89	13.13	28	38.25	8	25.38	2	(2) 11x27x1
MM	2260.60	333.50	711.20	971.55	203.20	644.65		
012	89	13.13	28	46.25	8	21.38	2	(2) 11x27x1
MM	2260.60	333.50	711.20	1174.75	203.20	543.05		

RIGHT HAND SHOWN

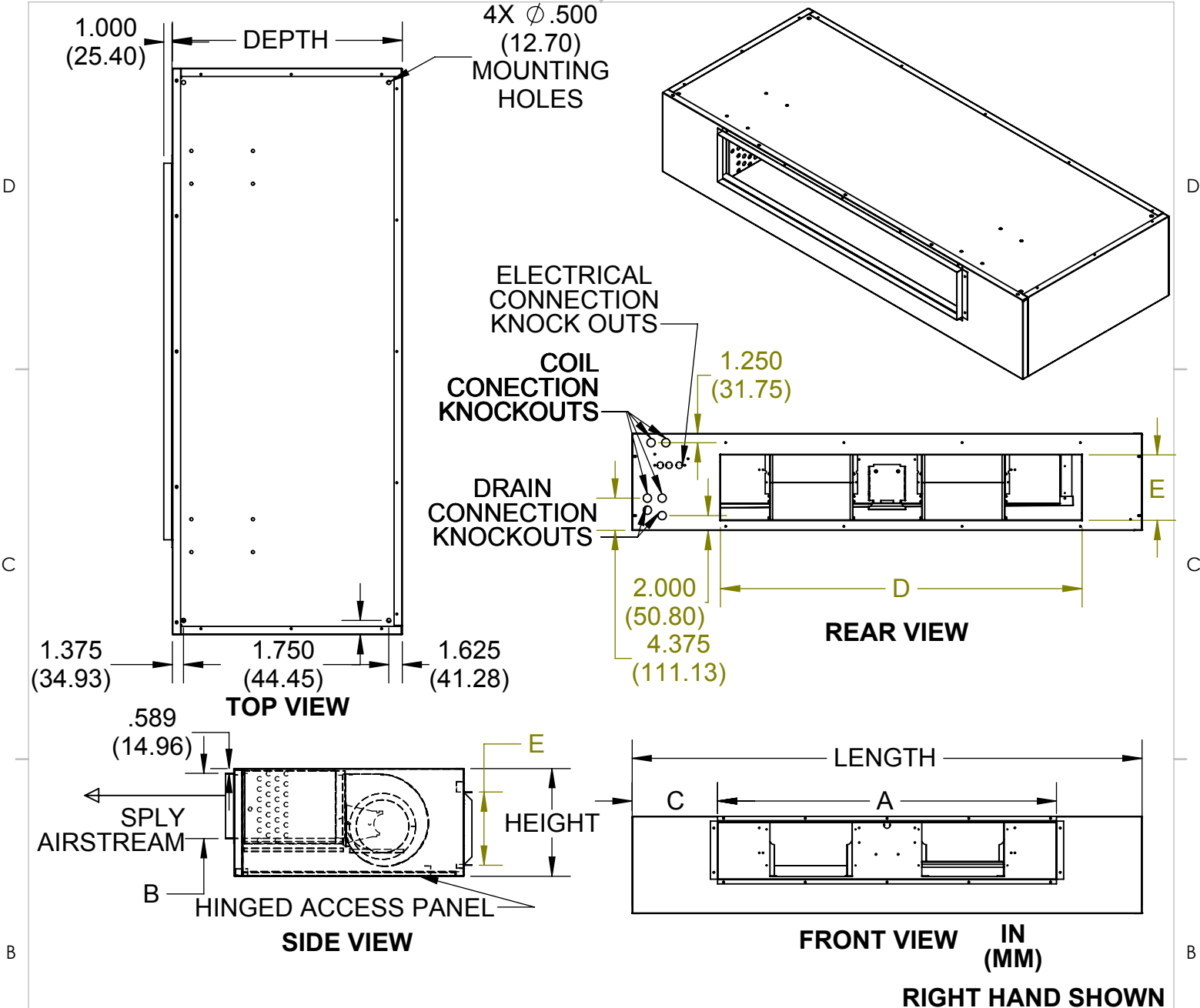
PROPRIETARY AND CONFIDENTIAL
 THE INFORMATION CONTAINED IN THIS DOCUMENT IS THE SOLE PROPERTY OF WILLIAMS FURNACE COMPANY. ANY REPRODUCTION IN PART OR AS A WHOLE WITHOUT THE WRITTEN PERMISSION OF WILLIAMS FURNACE COMPANY IS PROHIBITED.

TITLE:
 LH.Deluxe
 Unit Revision Level B

DWG. NO.
 D107722

REV
 B

DRAWING NOT TO SCALE



10" HANDED & 10" OPPOSITE CABINET EXTENSION & EXTENDED DRAIN PAN

OVERALL				SUPPLY DUCT			RETURN DUCT			BLOWERS	FILTER SIZE
UNIT SIZE	LENGTH	HEIGHT	DEPTH	A	B	C	D	E			
002-003	67	11.38	24	18.25	6.38	24.38	29	7	1	(2) 11x20x1	
MM	1701.80	289.05	609.60	463.55	162.05	619.25	736.60	177.80			
004	67	11.38	24	24.25	6.38	21.38	29	7	2	(2) 11x20x1	
MM	1701.80	289.05	609.60	615.95	162.05	543.05	736.60	177.80			
006	75	11.38	24	32.25	6.38	21.38	39	7	2	(2) 11x24x1	
MM	1905.00	289.05	609.60	819.15	162.05	543.05	990.60	177.80			
008	75	13.13	28	32.25	8	21.38	39	9	2	(2) 11x24x1	
MM	1905.00	333.50	711.20	819.15	203.20	543.05	990.60	228.60			
010	89	13.13	28	38.25	8	25.38	49	9	2	(2) 11x27x1	
MM	2260.60	333.50	711.20	971.55	203.20	644.65	1244.60	228.60			
012	89	13.13	28	46.25	8	21.38	49	9	2	(2) 11x27x1	
MM	2260.60	333.50	711.20	1174.75	203.20	543.05	1244.60	228.60			

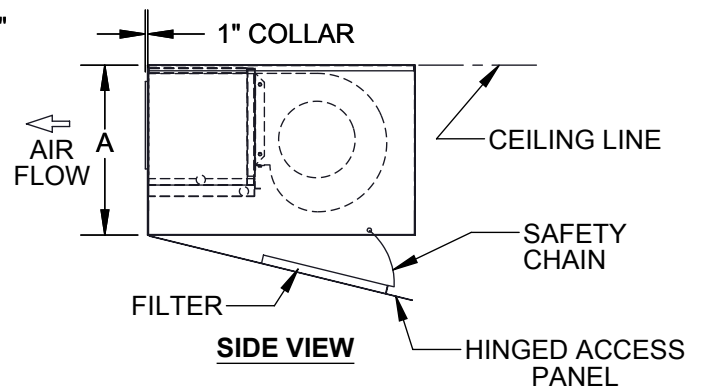
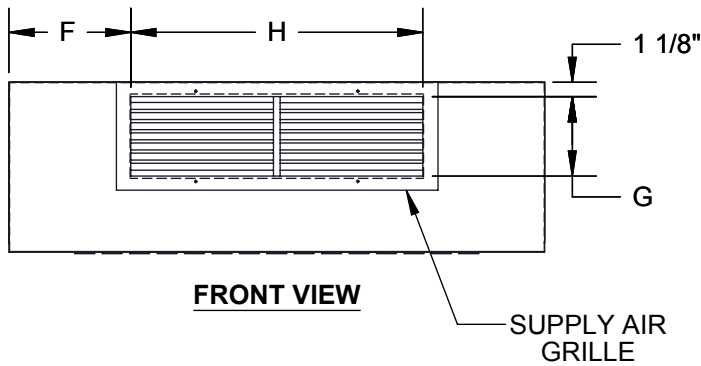
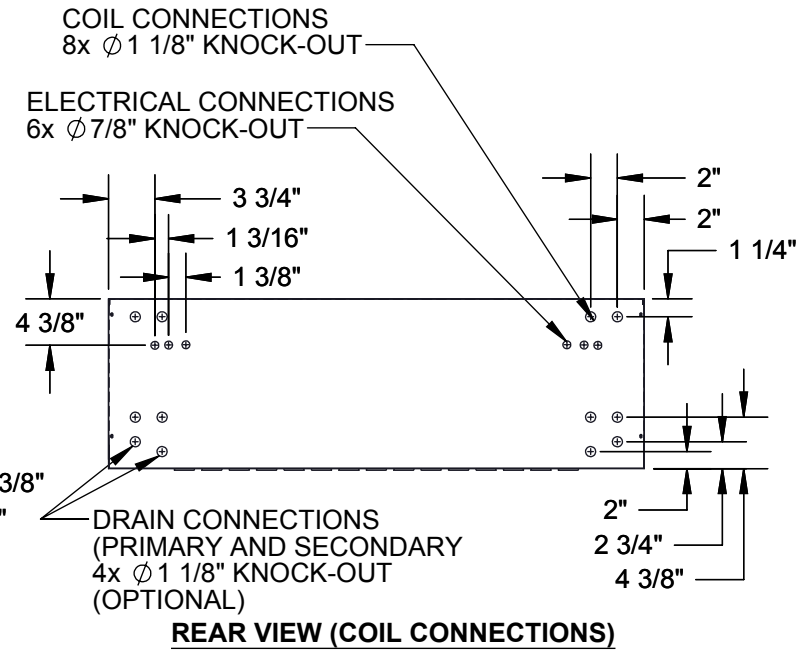
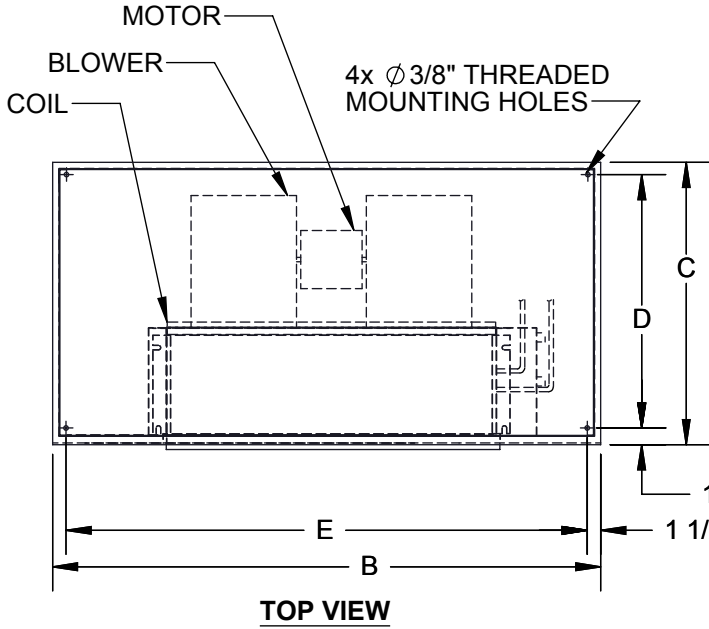
PROPRIETARY AND CONFIDENTIAL
 THE INFORMATION CONTAINED IN THIS DOCUMENT IS THE SOLE
 PROPERTY OF WILLIAMS FURNACE COMPANY. ANY REPRODUCTION
 IN PART OR AS A WHOLE WITHOUT THE WRITTEN PERMISSION OF
 WILLIAMS FURNACE COMPANY IS PROHIBITED.

TITLE:
 LH.Deluxe
 Unit Revision Level B

DWG. NO.
 D107567

REV
 B

DRAWING NOT TO SCALE



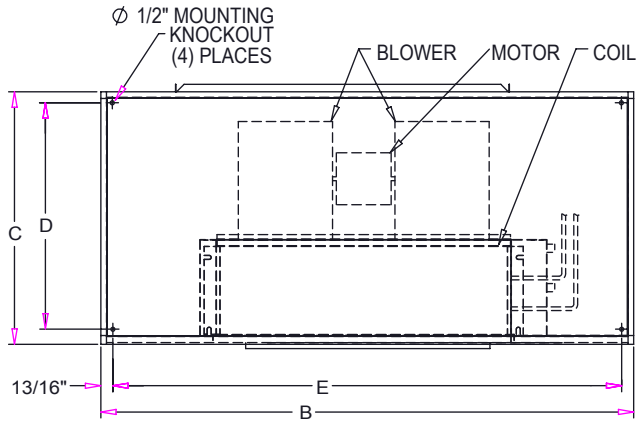
10" HANDED SIDE CABINET EXTENDED DRAIN PAN

RIGHT HAND SHOWN

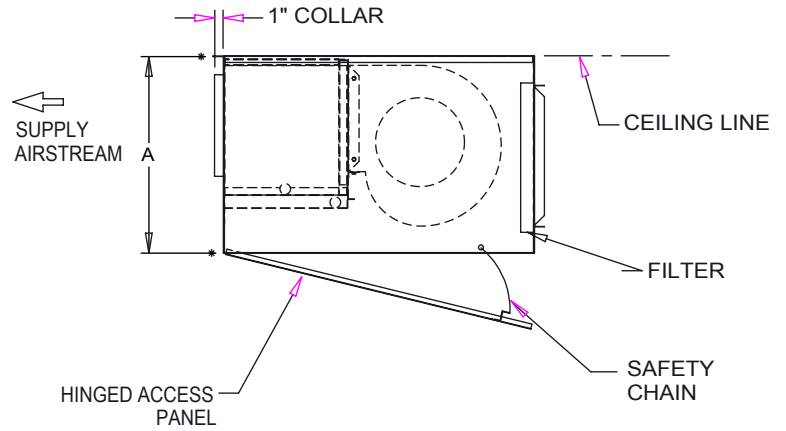
MODEL	A	B	C	D	E	F	G	H	BLOWER QTY	FILTER SIZE
200-300	11 3/8"	53	24	21	50	12 3/8"	6 1/4"	18 1/4"	1	(2) 11x20x1
400	11 3/8"	53	24	21	50	9 3/8"	6 1/4"	24 1/4"	2	(2) 11x20x1
600	12 3/8"	63	28	25	60	11 3/8"	6 1/4"	30 1/4"	2	(2) 11x24x1
800	12 3/8"	63	28	25	60	11 3/8"	7 3/4"	30 1/4"	2	(2) 11x24x1
1000	12 3/8"	71	28	25	68	12 3/8"	7 3/4"	36 1/4"	2	(2) 11x27x1
1200	12 3/8"	71	28	25	68	9 3/8"	7 3/4"	42 1/4"	2	(2) 11x27x1

DELUXE BOTTOM STAMPED
REV A

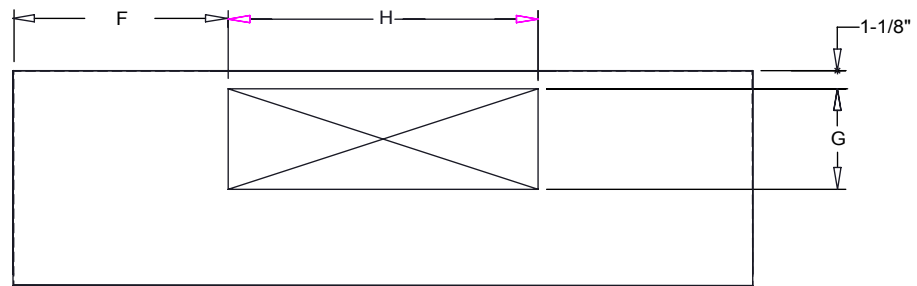
D107703



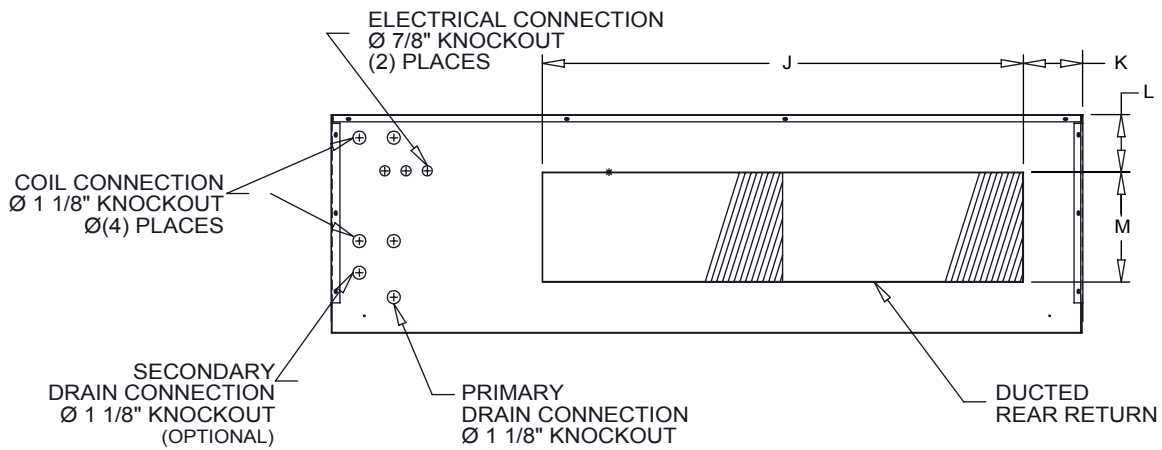
TOP VIEW



SIDE VIEW



FRONT VIEW

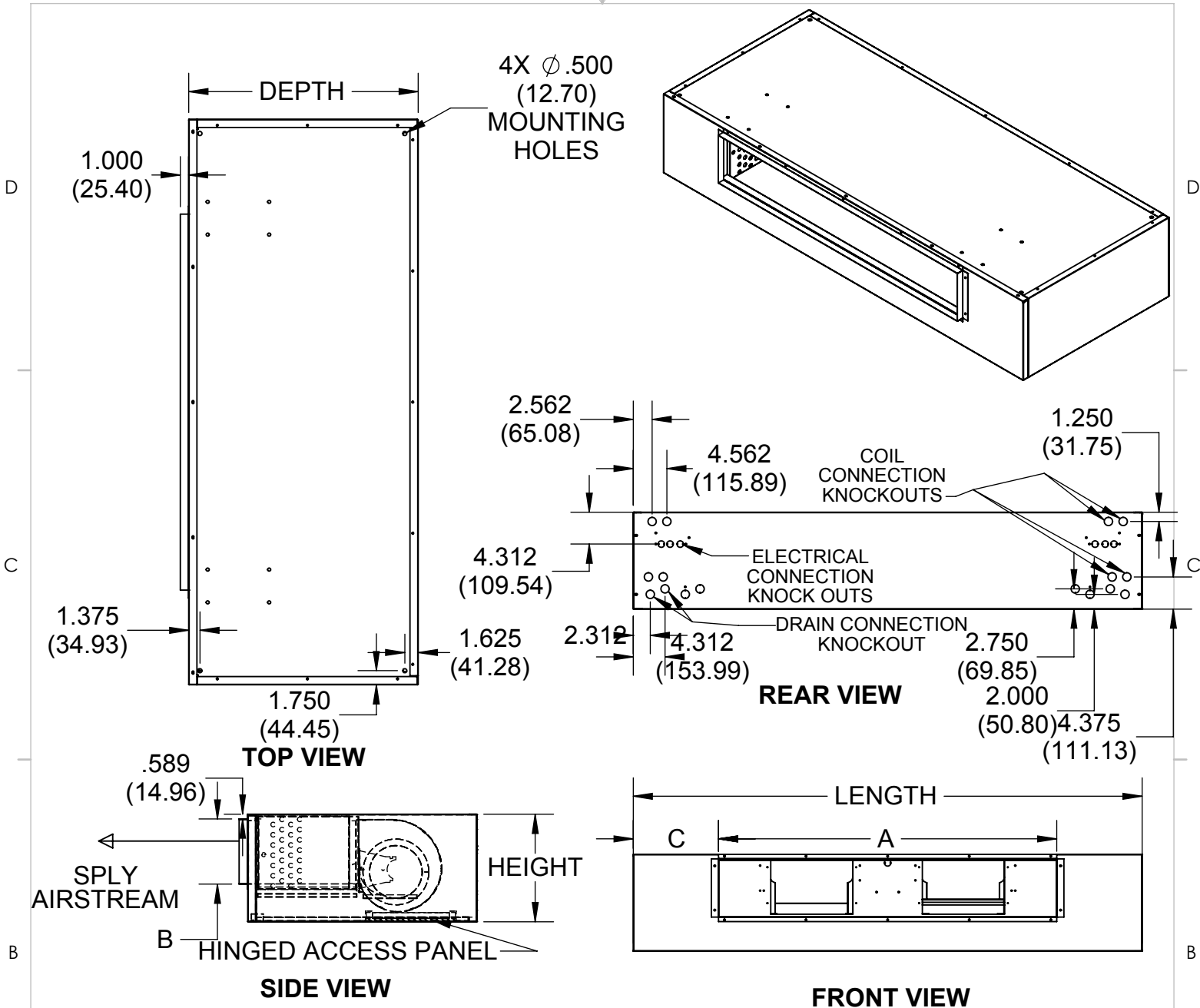


REAR VIEW (COIL CONNECTIONS)

10" HANDED SIDE CABINET EXTENSION WITH EXTENDED DRAIN PAN

RIGHT HAND SHOWN

MODEL	A	B	C	D	E	F	G	H	J	K	L	M	FILTER SIZES
LH002-003	11 3/8	53	24	21 1/8	50	12 3/8	6 1/4	18 1/4	29	2 1/2	2 5/8	7	(1) 8X30X1
LH004	11 3/8	53	24	21	50	9 3/8	6 1/4	24 1/4	29	2 1/2	2 1/2	7	(1) 8X30X1
LH006	12 3/8	63	28	25	60	11 3/8	6 1/4	30 1/4	39	2 1/2	2	9	(2) 10X20X1
LH008	12 3/8	63	28	25	60	11 3/8	7 3/4	30 1/4	39	2 1/2	2	9	(2) 10X20X1
LH010	12 3/8	71	28	25	68	12 3/8	7 3/4	36 1/4	49	2	2	9	(2) 10X25X1
LH012	12 3/8	71	28	25	68	9 3/8	7 3/4	42 1/4	49	2	2	9	(2) 10X25X1



IN (MM)

10" HANDED SIDE CABINET EXTENDED DRAIN PAN

OVERALL				SUPPLY DUCT			BLOWERS	FILTER SIZE
UNIT SIZE	LENGTH	HEIGHT	DEPTH	A	B	C		
002-003	57	11.38	24	18.25	6.38	14.38	1	(2) 11x20x1
MM	1447.80	289.05	609.60	463.55	162.05	365.25		
004	57	11.38	24	24.25	6.38	11.38	2	(2) 11x20x1
MM	1447.80	289.05	609.60	615.95	162.05	289.05		
006	65	11.38	24	32.25	6.38	11.38	2	(2) 11x24x1
MM	1651.00	289.05	609.60	819.15	162.05	289.05		
008	65	13.13	28	32.25	8	11.38	2	(2) 11x24x1
MM	1651.00	333.50	711.20	819.15	203.20	289.05		
010	79	13.13	28	38.25	8	15.38	2	(2) 11x27x1
MM	2006.60	333.50	711.20	971.55	203.20	390.65		
012	79	13.13	28	46.25	8	11.38	2	(2) 11x27x1
MM	2006.60	333.50	711.20	1174.75	203.20	289.05		

RIGHT HAND SHOWN

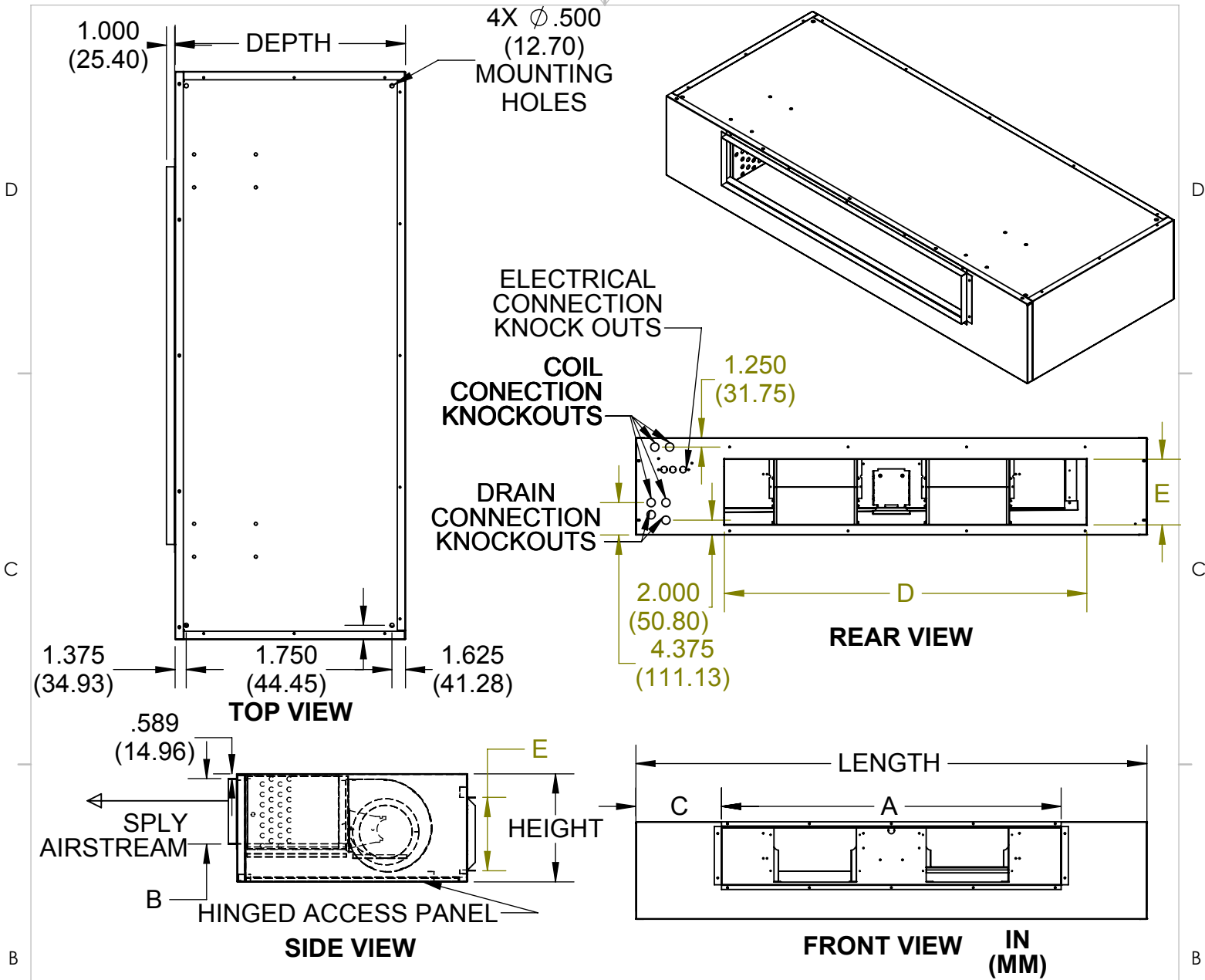
PROPRIETARY AND CONFIDENTIAL
 THE INFORMATION CONTAINED IN THIS DOCUMENT IS THE SOLE PROPERTY OF WILLIAMS FURNACE COMPANY. ANY REPRODUCTION IN PART OR AS A WHOLE WITHOUT THE WRITTEN PERMISSION OF WILLIAMS FURNACE COMPANY IS PROHIBITED.

TITLE:
 LH.Deluxe
 Unit Revision Level B

DWG. NO.
 D107718

REV
 B

DRAWING NOT TO SCALE



10" HANDED CABINET EXTENDED DRAIN PAN

RIGHT HAND SHOWN

OVERALL				SUPPLY DUCT			RETURN DUCT			BLOWERS	FILTER SIZE
UNIT SIZE	LENGTH	HEIGHT	DEPTH	A	B	C	D	E			
002-003	57	11.38	24	18.25	6.38	14.38	29	7	1	(2) 11x20x1	
MM	1447.80	289.05	609.60	463.55	162.05	365.25	736.60	177.80			
004	57	11.38	24	24.25	6.38	11.38	29	7	2	(2) 11x20x1	
MM	1447.80	289.05	609.60	615.95	162.05	289.05	736.60	177.80			
006	65	11.38	24	32.25	6.38	11.38	39	7	2	(2) 11x24x1	
MM	1651.00	289.05	609.60	819.15	162.05	289.05	990.60	177.80			
008	65	13.13	28	32.25	8	11.38	39	9	2	(2) 11x24x1	
MM	1651.00	333.50	711.20	819.15	203.20	289.05	990.60	228.60			
010	79	13.13	28	38.25	8	15.38	49	9	2	(2) 11x27x1	
MM	2006.60	333.50	711.20	971.55	203.20	390.65	1244.60	228.60			
012	79	13.13	28	46.25	8	11.38	49	9	2	(2) 11x27x1	
MM	2006.60	333.50	711.20	1174.75	203.20	289.05	1244.60	228.60			

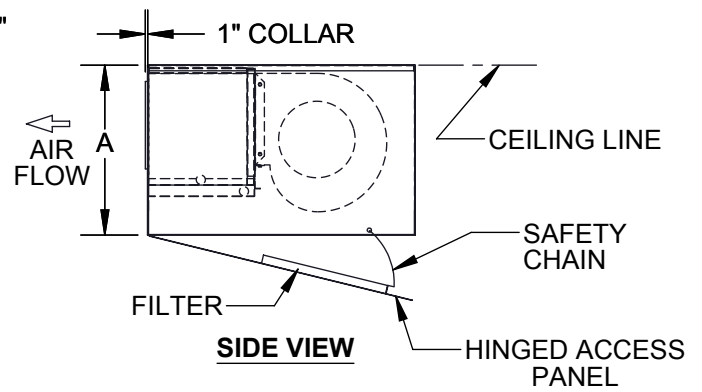
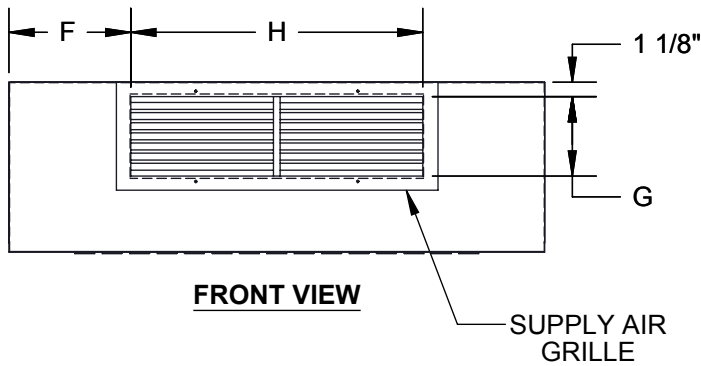
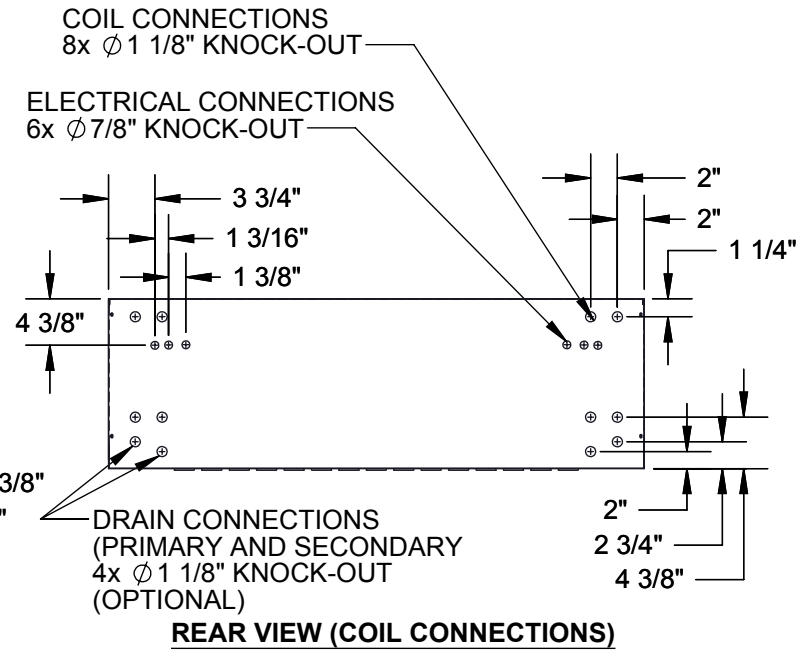
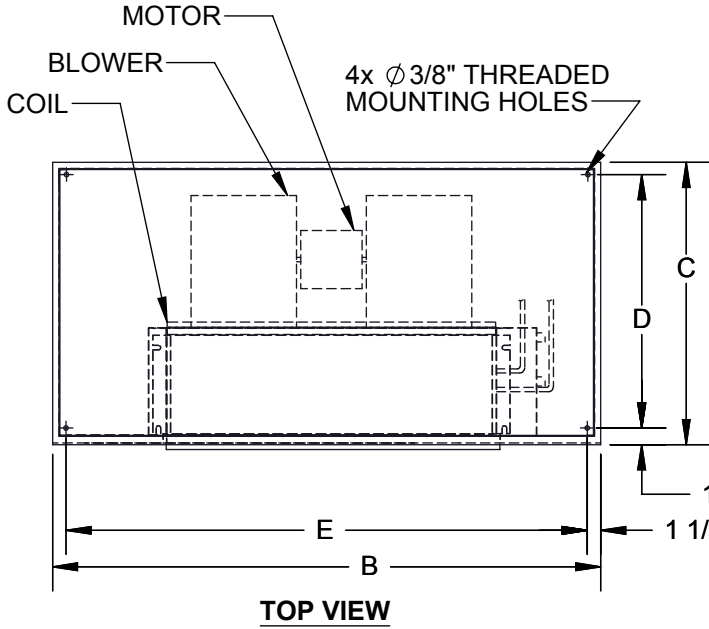
PROPRIETARY AND CONFIDENTIAL
 THE INFORMATION CONTAINED IN THIS DOCUMENT IS THE SOLE
 PROPERTY OF WILLIAMS FURNACE COMPANY. ANY REPRODUCTION
 IN PART OR AS A WHOLE WITHOUT THE WRITTEN PERMISSION OF
 WILLIAMS FURNACE COMPANY IS PROHIBITED.

TITLE:
 LH.Deluxe
 Unit Revision Level B

DWG. NO.
 D107555

REV
 B

DRAWING NOT TO SCALE

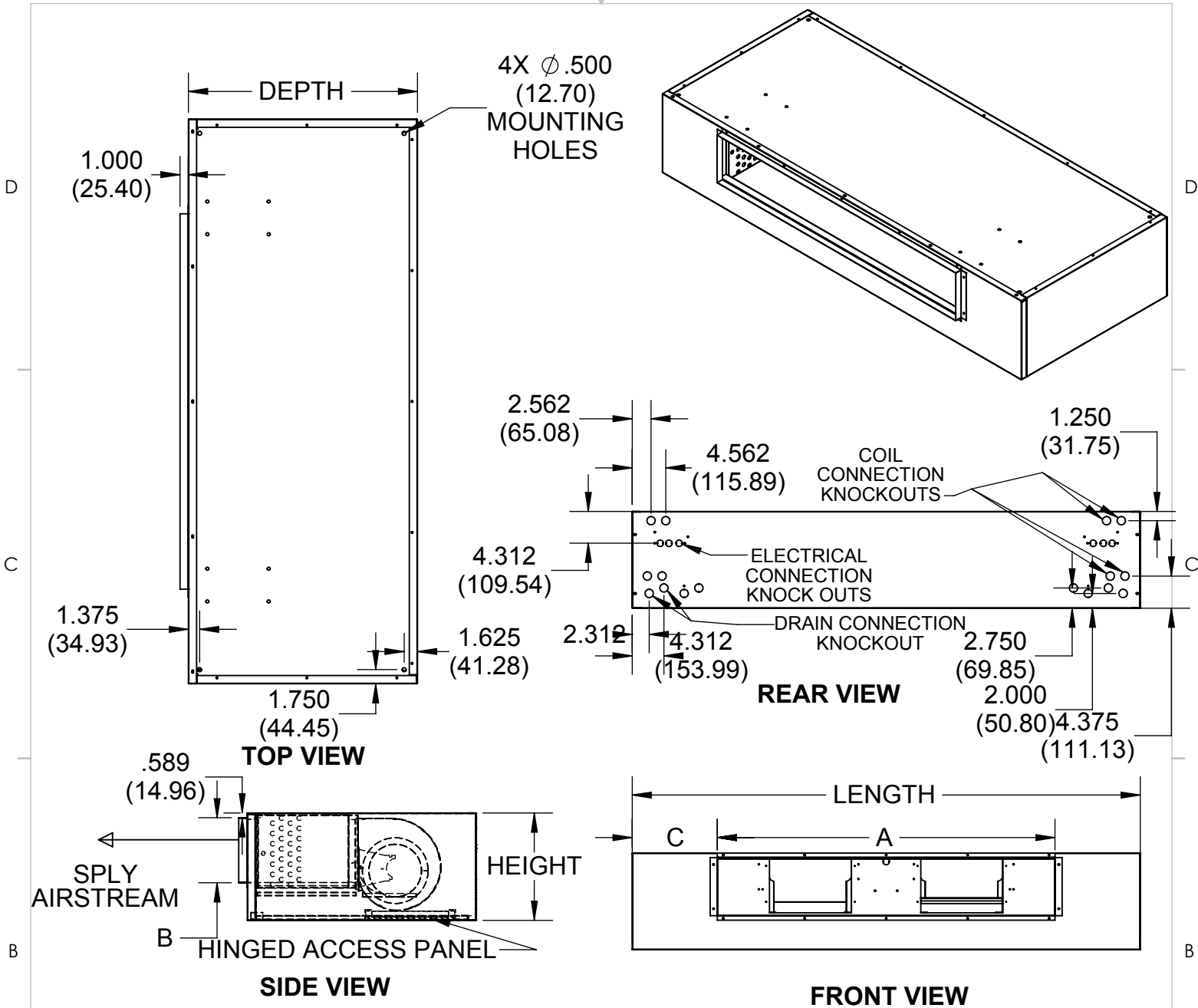


10" OPPOSITE CABINET EXTENSION RIGHT HAND SHOWN

MODEL	A	B	C	D	E	F	G	H	BLOWER QTY	FILTER SIZE
200-300	11 3/8"	53	24	21	50	22 3/8"	6 1/4"	18 1/4"	1	(2) 11x20x1
400	11 3/8"	53	24	21	50	19 3/8"	6 1/4"	24 1/4"	2	(2) 11x20x1
600	12 3/8"	63	28	25	60	21 3/8"	6 1/4"	30 1/4"	2	(2) 11x24x1
800	12 3/8"	63	28	25	60	21 3/8"	7 3/4"	30 1/4"	2	(2) 11x24x1
1000	12 3/8"	71	28	25	68	22 3/8"	7 3/4"	36 1/4"	2	(2) 11x27x1
1200	12 3/8"	71	28	25	68	19 3/8"	7 3/4"	42 1/4"	2	(2) 11x27x1

DELUXE BOTTOM STAMPED
REV A

D107704



IN (MM)

10" OPPOSITE CABINET EXTENSION

OVERALL				SUPPLY DUCT			BLOWERS	FILTER SIZE
UNIT SIZE	LENGTH	HEIGHT	DEPTH	A	B	C		
002-003	57	11.38	24	18.25	6.38	24.38	1	(2) 11x20x1
MM	1447.80	289.05	609.60	463.55	162.05	619.25		
004	57	11.38	24	24.25	6.38	21.38	2	(2) 11x20x1
MM	1447.80	289.05	609.60	615.95	162.05	543.05		
006	65	11.38	24	32.25	6.38	21.38	2	(2) 11x24x1
MM	1651.00	289.05	609.60	819.15	162.05	543.05		
008	65	13.13	28	32.25	8	21.38	2	(2) 11x24x1
MM	1651.00	333.50	711.20	819.15	203.20	543.05		
010	79	13.13	28	38.25	8	25.38	2	(2) 11x27x1
MM	2006.60	333.50	711.20	971.55	203.20	644.65		
012	79	13.13	28	46.25	8	21.38	2	(2) 11x27x1
MM	2006.60	333.50	711.20	1174.75	203.20	543.05		

RIGHT HAND SHOWN

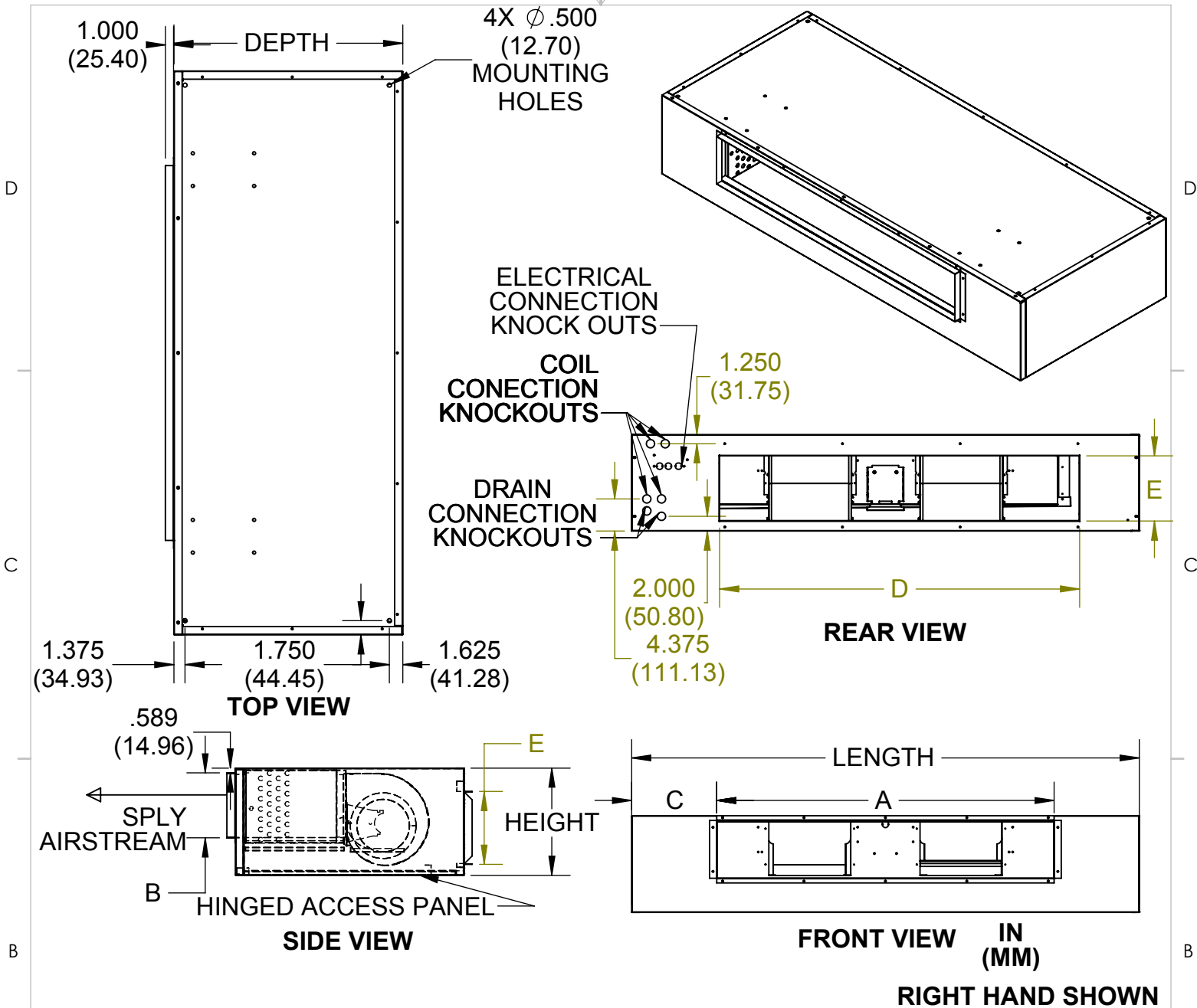
PROPRIETARY AND CONFIDENTIAL
 THE INFORMATION CONTAINED IN THIS DOCUMENT IS THE SOLE PROPERTY OF WILLIAMS FURNACE COMPANY. ANY REPRODUCTION IN PART OR AS A WHOLE WITHOUT THE WRITTEN PERMISSION OF WILLIAMS FURNACE COMPANY IS PROHIBITED.

TITLE:
 LH.Deluxe
 Unit Revision Level B

DWG. NO.
 D107719

REV
 B

DRAWING NOT TO SCALE



10" OPPOSITE CABINET EXTENSION

UNIT SIZE	OVERALL			SUPPLY DUCT			RETURN DUCT			BLOWERS	FILTER SIZE
	LENGTH	HEIGHT	DEPTH	A	B	C	D	E			
002-003	57	11.38	24	18.25	6.38	24.38	29	7	1	(2) 11x20x1	
MM	1447.80	289.05	609.60	463.55	162.05	619.25	736.60	177.80			
004	57	11.38	24	24.25	6.38	21.38	29	7	2	(2) 11x20x1	
MM	1447.80	289.05	609.60	615.95	162.05	543.05	736.60	177.80			
006	65	11.38	24	32.25	6.38	21.38	39	7	2	(2) 11x24x1	
MM	1651.00	289.05	609.60	819.15	162.05	543.05	990.60	177.80			
008	65	13.13	28	32.25	8	21.38	39	9	2	(2) 11x24x1	
MM	1651.00	333.50	711.20	819.15	203.20	543.05	990.60	228.60			
010	79	13.13	28	38.25	8	25.38	49	9	2	(2) 11x27x1	
MM	2006.60	333.50	711.20	971.55	203.20	644.65	1244.60	228.60			
012	79	13.13	28	46.25	8	21.38	49	9	2	(2) 11x27x1	
MM	2006.60	333.50	711.20	1174.75	203.20	543.05	1244.60	228.60			

PROPRIETARY AND CONFIDENTIAL
 THE INFORMATION CONTAINED IN THIS DOCUMENT IS THE SOLE
 PROPERTY OF WILLIAMS FURNACE COMPANY. ANY REPRODUCTION
 IN PART OR AS A WHOLE WITHOUT THE WRITTEN PERMISSION OF
 WILLIAMS FURNACE COMPANY IS PROHIBITED.

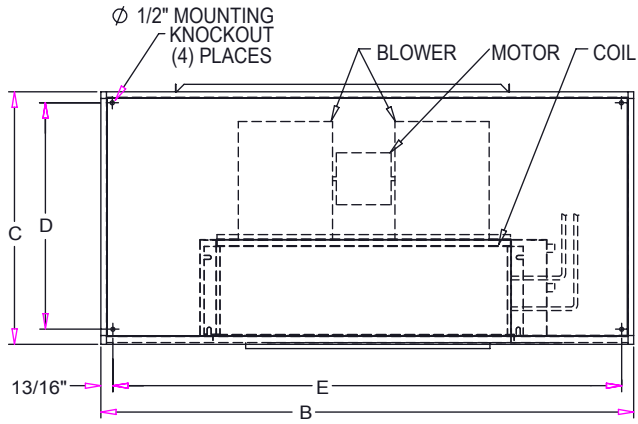
TITLE:

LH.Deluxe
 Unit Revision Level B

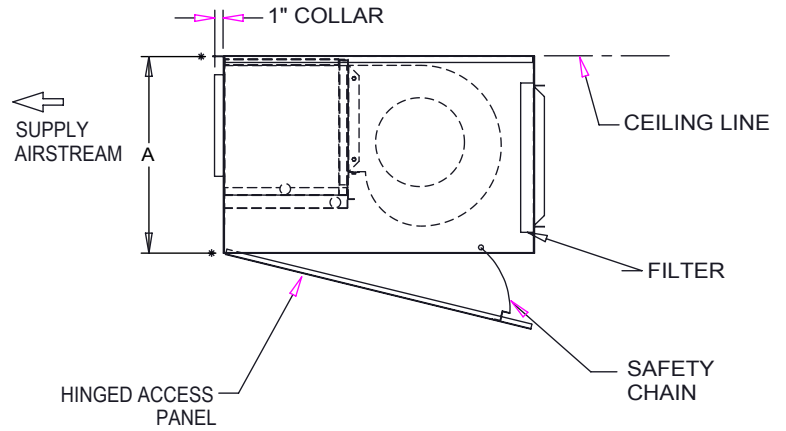
DWG. NO.
 D107558

REV
 B

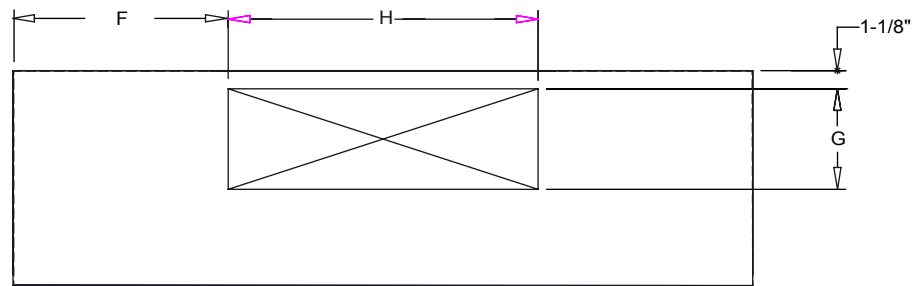
DRAWING NOT TO SCALE



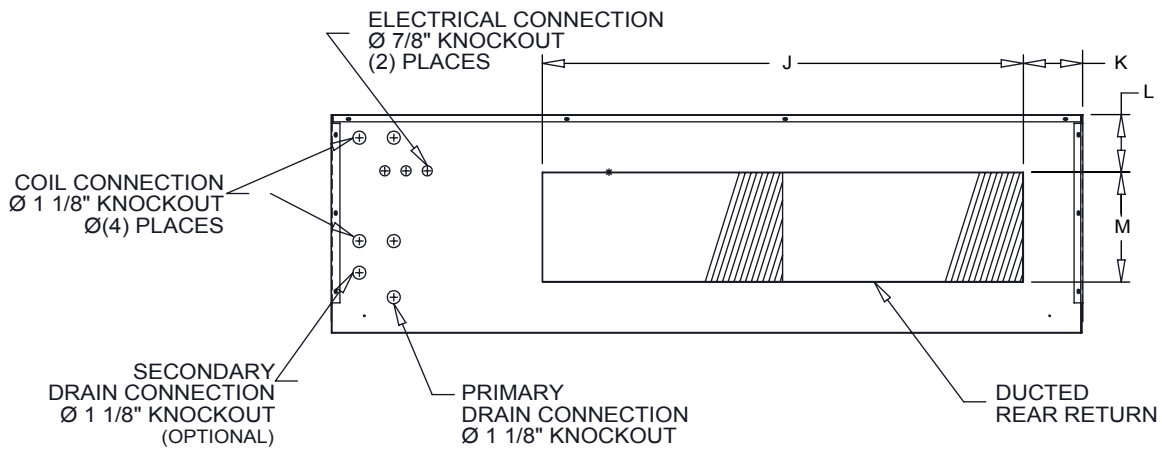
TOP VIEW



SIDE VIEW



FRONT VIEW

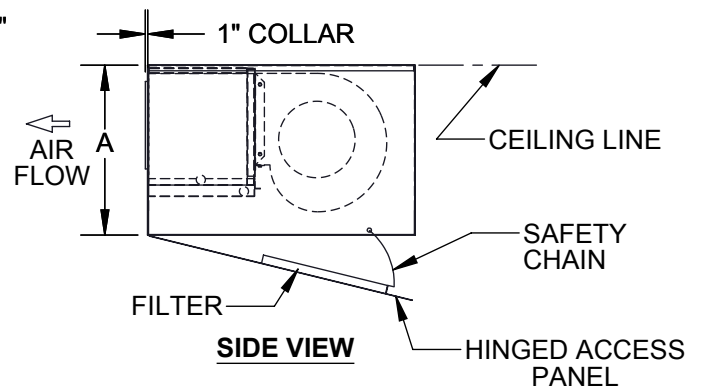
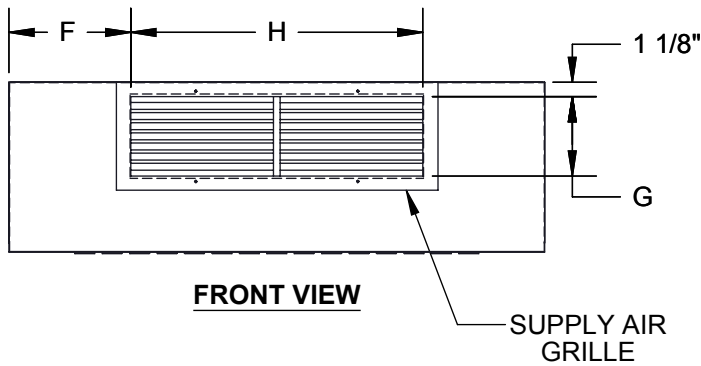
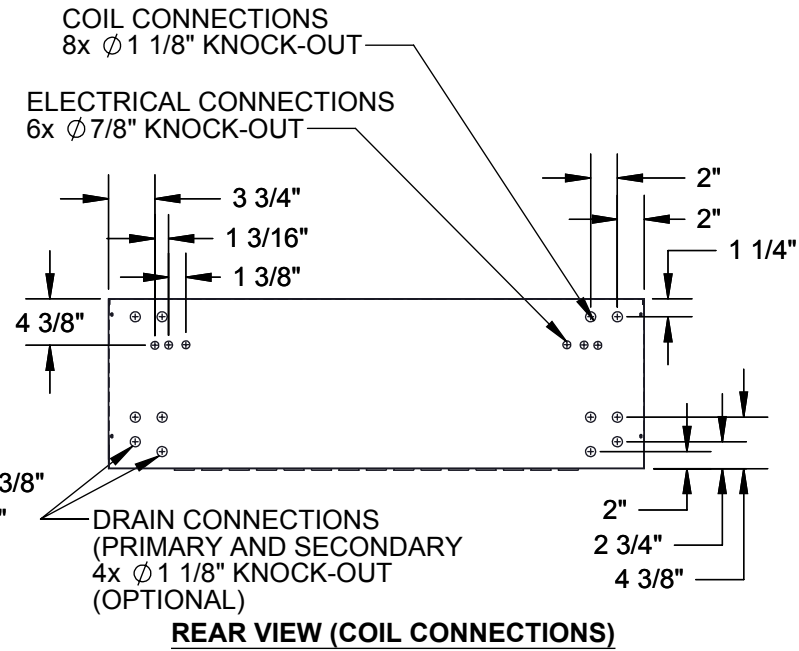
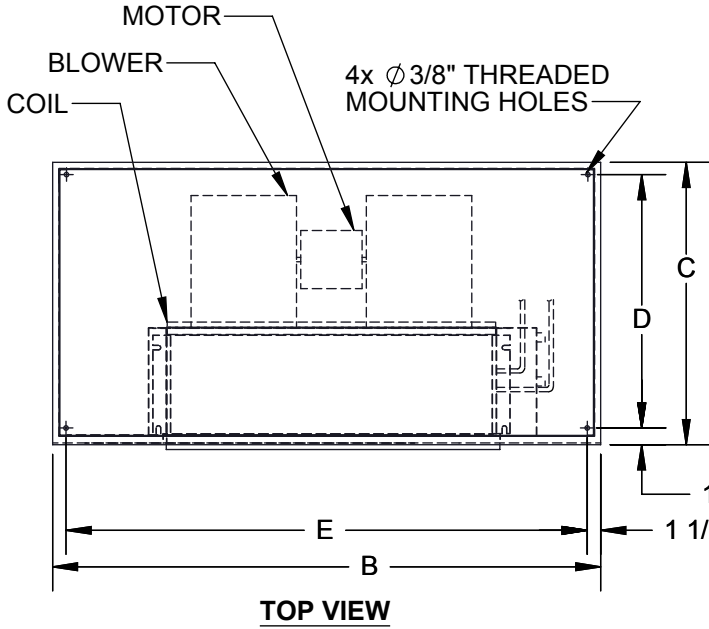


REAR VIEW (COIL CONNECTIONS)

10" OPPOSITE CABINET EXTENSION

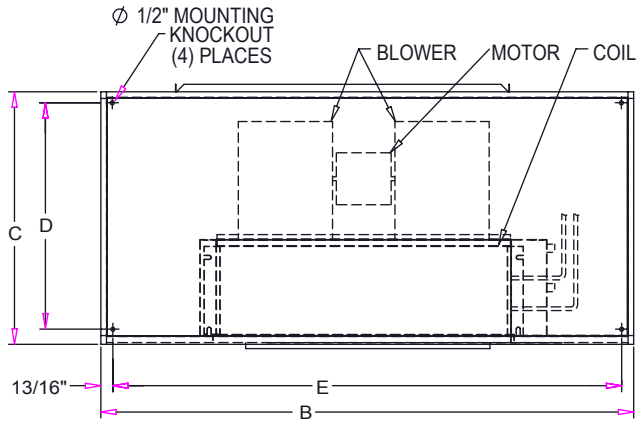
RIGHT HAND SHOWN

MODEL	A	B	C	D	E	F	G	H	J	K	L	M	FILTER SIZES
LH002-003	11 3/8	53	24	21 1/8	50	22 3/8	6 1/4	18 1/4	29	12 1/2	2 5/8	7	(1) 8X30X1
LH004	11 3/8	53	24	21	50	19 3/8	6 1/4	24 1/4	29	12 1/2	2 1/2	7	(1) 8X30X1
LH006	12 3/8	63	28	25	60	21 3/8	6 1/4	30 1/4	39	12 1/2	2	9	(2) 10X20X1
LH008	12 3/8	63	28	25	60	21 3/8	7 3/4	30 1/4	39	12 1/2	2	9	(2) 10X20X1
LH010	12 3/8	71	28	25	68	22 3/8	7 3/4	36 1/4	49	12	2	9	(2) 10X25X1
LH012	12 3/8	71	28	25	68	19 3/8	7 3/4	42 1/4	49	12	2	9	(2) 10X25X1

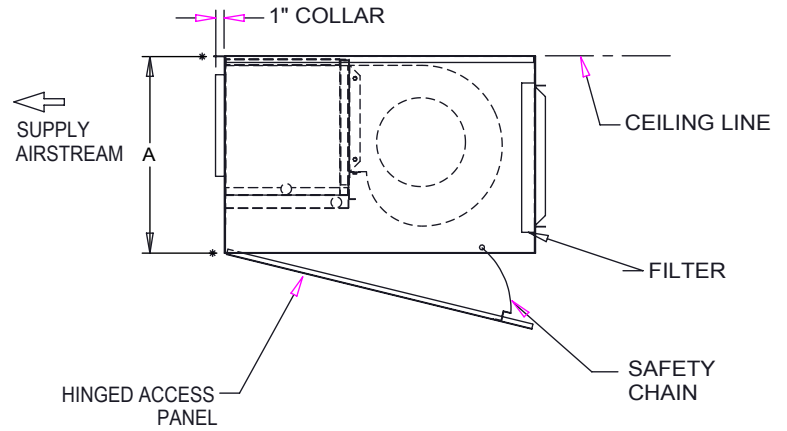


RIGHT HAND SHOWN

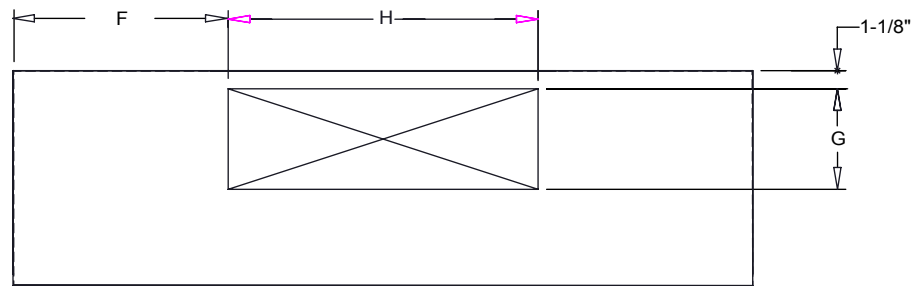
MODEL	A	B	C	D	E	F	G	H	BLOWER QTY	FILTER SIZE
200-300	11 3/8	43	24	21	40	12 3/8	6 1/4	18 1/4	1	(2) 11x20x1
400	11 3/8	43	24	21	40	9 3/8	6 1/4	24 1/4	2	(2) 11x20x1
600	12 3/8	53	28	25	50	11 3/8	6 1/4	30 1/4	2	(2) 11x24x1
800	12 3/8	53	28	25	50	11 3/8	7 3/4	30 1/4	2	(2) 11x24x1
1000	12 3/8	61	28	25	58	12 3/8	7 3/4	36 1/4	2	(2) 11x27x1
1200	12 3/8	61	28	25	58	9 3/8	7 3/4	42 1/4	2	(2) 11x27x1



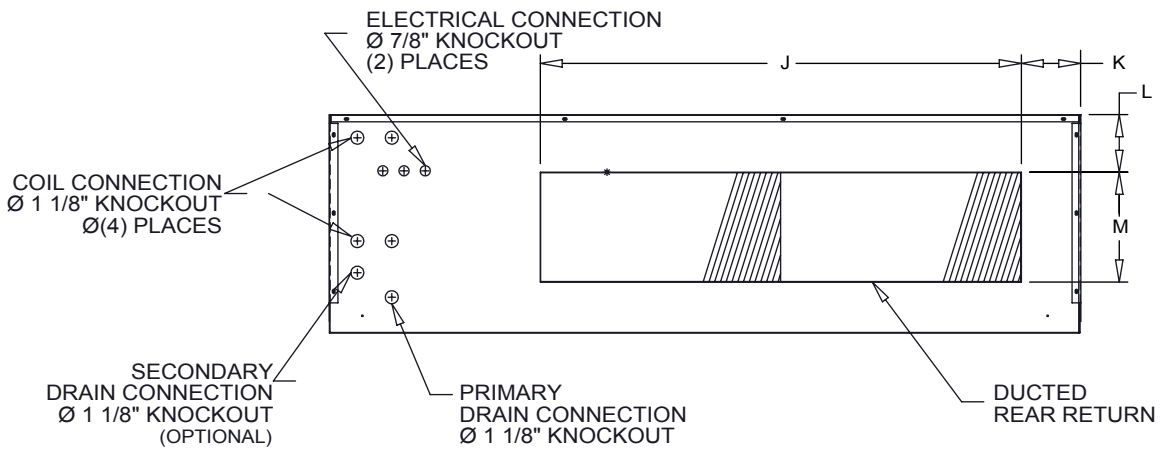
TOP VIEW



SIDE VIEW



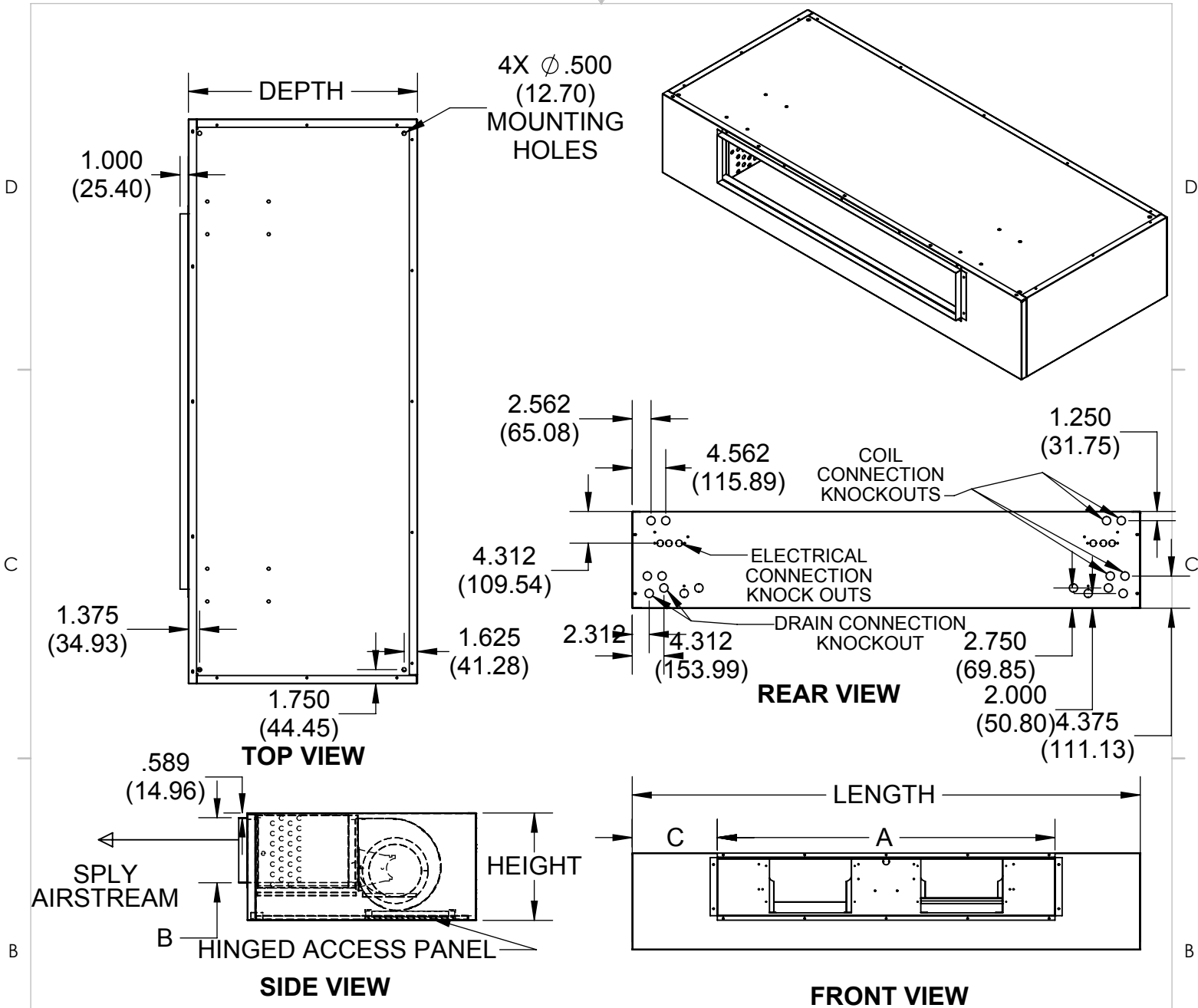
FRONT VIEW



REAR VIEW (COIL CONNECTIONS)

RIGHT HAND SHOWN

MODEL	A	B	C	D	E	F	G	H	J	K	L	M	FILTER SIZES
LH002-003	11 3/8	43	24	21 1/8	40	12 3/8	6 1/4	18 1/4	29	2 1/2	2 5/8	7	(1) 8X30X1
LH004	11 3/8	43	24	21	40	9 3/8	6 1/4	24 1/4	29	2 1/2	2 1/2	7	(1) 8X30X1
LH006	12 3/8	53	28	25	50	11 3/8	6 1/4	30 1/4	39	2 1/2	2	9	(2) 10X20X1
LH008	12 3/8	53	28	25	50	11 3/8	7 3/4	30 1/4	39	2 1/2	2	9	(2) 10X20X1
LH010	12 3/8	61	28	25	58	12 3/8	7 3/4	36 1/4	49	2	2	9	(2) 10X25X1
LH012	12 3/8	61	28	25	58	9 3/8	7 3/4	42 1/4	49	2	2	9	(2) 10X25X1



IN (MM)

OVERALL				SUPPLY DUCT			BLOWERS	FILTER SIZE
UNIT SIZE	LENGTH	HEIGHT	DEPTH	A	B	C		
002-003	47	11.38	24	18.25	6.38	14.38	1	(2) 11x20x1
MM	1193.80	289.05	609.60	463.55	162.05	365.25		
004	47	11.38	24	24.25	6.38	11.38	2	(2) 11x20x1
MM	1193.80	289.05	609.60	615.95	162.05	289.05		
006	55	11.38	24	32.25	6.38	11.38	2	(2) 11x24x1
MM	1397.00	289.05	609.60	819.15	162.05	289.05		
008	55	13.13	28	32.25	8	11.38	2	(2) 11x24x1
MM	1397.00	333.50	711.20	819.15	203.20	289.05		
010	69	13.13	28	38.25	8	15.38	2	(2) 11x27x1
MM	1752.60	333.50	711.20	971.55	203.20	390.65		
012	69	13.13	28	46.25	8	11.38	2	(2) 11x27x1
MM	1752.60	333.50	711.20	1174.75	203.20	289.05		

RIGHT HAND SHOWN

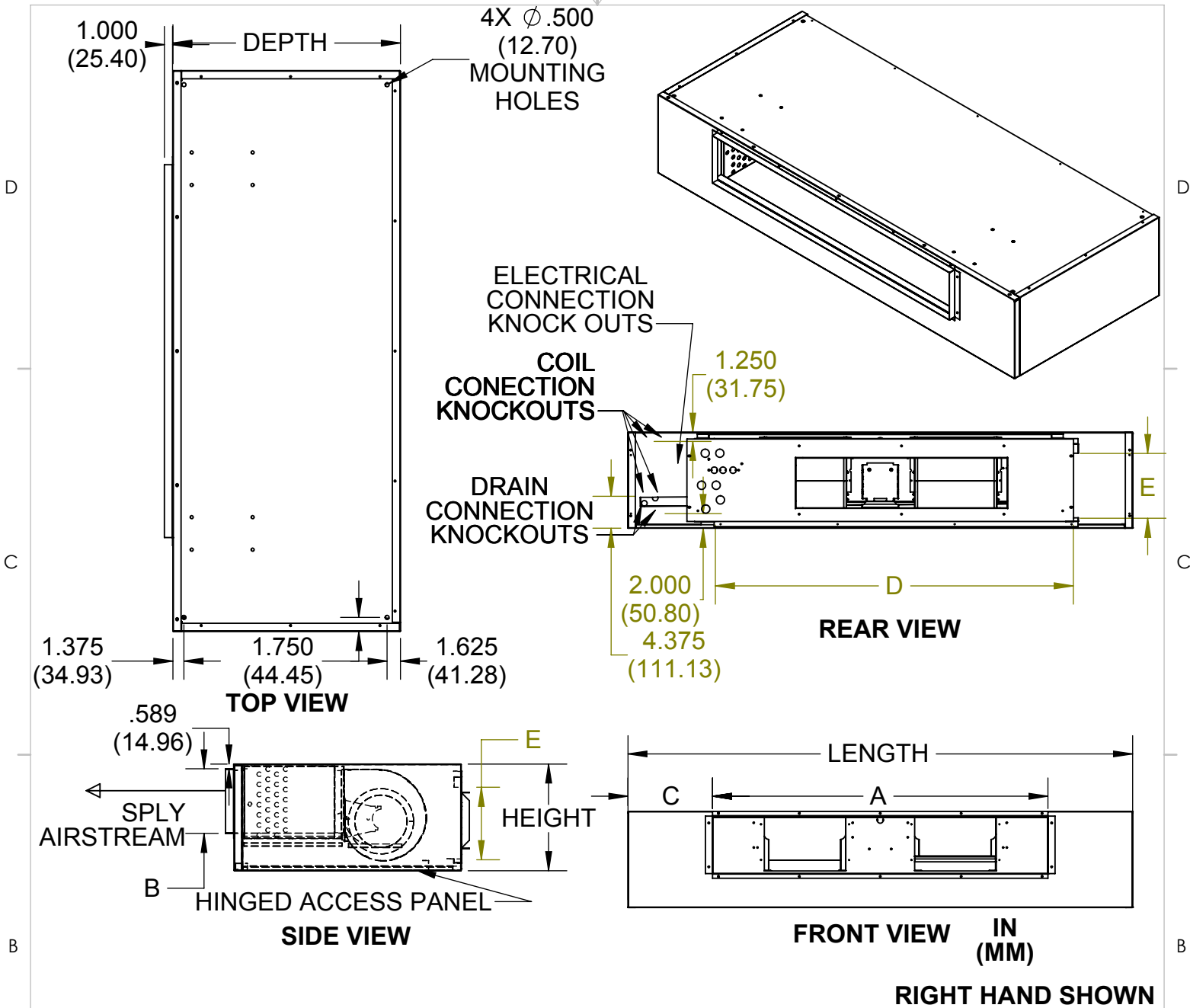
PROPRIETARY AND CONFIDENTIAL
THE INFORMATION CONTAINED IN THIS DOCUMENT IS THE SOLE PROPERTY OF THE MANUFACTURER. ANY REPRODUCTION IN PART OR AS A WHOLE WITHOUT WRITTEN PERMISSION IS PROHIBITED.

TITLE:
LH.Deluxe
Unit Revision Level B

DWG. NO.
D104029

REV
B

DRAWING NOT TO SCALE



OVERALL				SUPPLY DUCT			RETURN DUCT			BLOWERS	FILTER SIZE
UNIT SIZE	LENGTH	HEIGHT	DEPTH	A	B	C	D	E			
002-003	47	11.38	24	18.25	6.38	14.38	29	7	1	(2) 11x20x1	
MM	1193.80	289.05	609.60	463.55	162.05	365.25	736.60	177.80			
004	47	11.38	24	24.25	6.38	11.38	29	7	2	(2) 11x20x1	
MM	94.00	22.76	48.00	48.50	12.76	22.76	736.60	177.80			
006	55	11.38	24	32.25	6.38	11.38	39	7	2	(2) 11x24x1	
MM	1397.00	289.05	609.60	819.15	162.05	289.05	990.60	177.80			
008	55	13.13	28	32.25	8	11.38	39	9	2	(2) 11x24x1	
MM	1397.00	333.50	711.20	819.15	203.20	289.05	990.60	228.60			
010	69	13.13	28	38.25	8	15.38	49	9	2	(2) 11x27x1	
MM	1752.60	333.50	711.20	971.55	203.20	390.65	1244.60	228.60			
012	69	13.13	28	46.25	8	11.38	49	9	2	(2) 11x27x1	
MM	1752.60	333.50	711.20	1174.75	203.20	289.05	1244.60	228.60			

PROPRIETARY AND CONFIDENTIAL
 THE INFORMATION CONTAINED IN THIS DOCUMENT IS THE SOLE
 PROPERTY OF THE MANUFACTURER. ANY REPRODUCTION IN PART
 OR AS A WHOLE WITHOUT WRITTEN PERMISSION IS PROHIBITED.

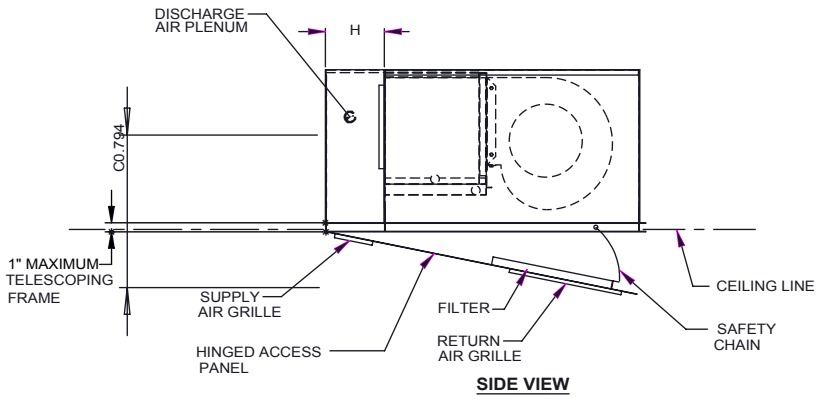
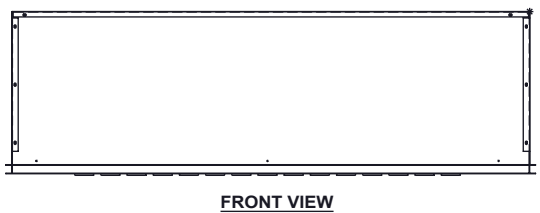
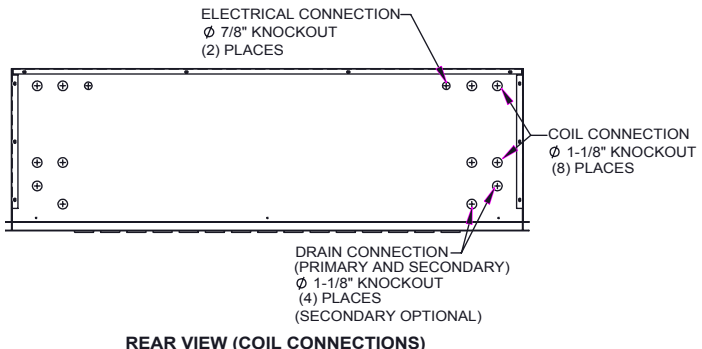
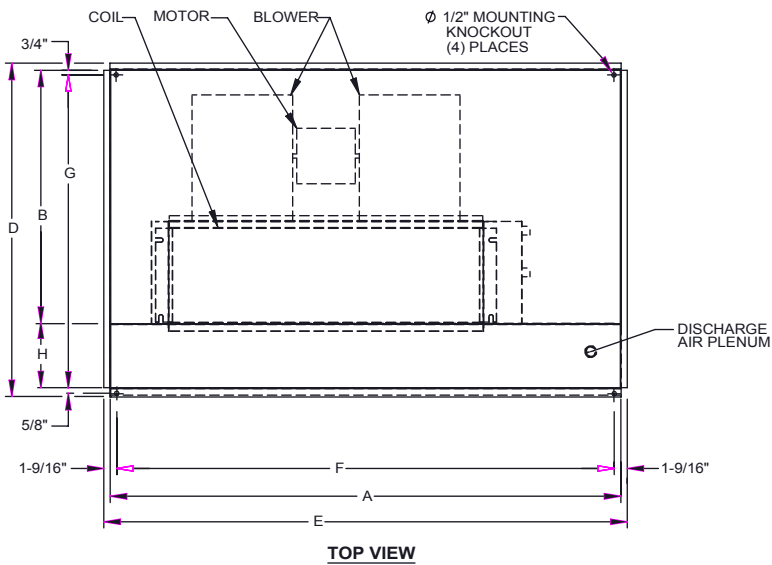
TITLE:
 LH.Deluxe
 Unit Revision Level B

DWG. NO.
 D104030

REV
 B

DRAWING NOT TO SCALE

LH02/12 FLUSH, TYPE "E" WITH BOTTOM SUPPLY AND BOTTOM RETURN

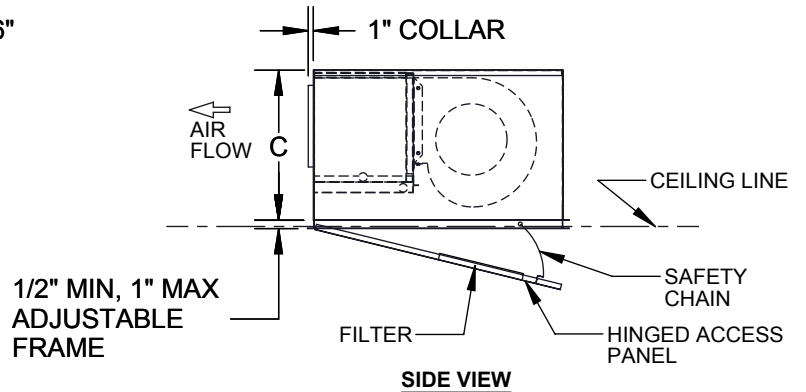
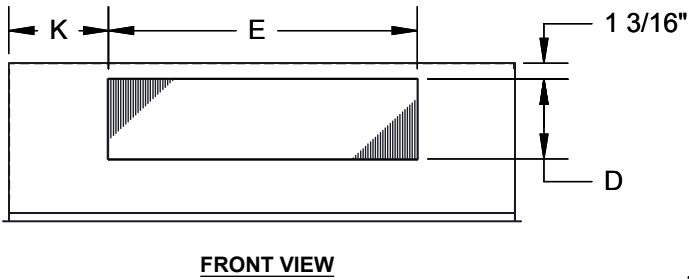
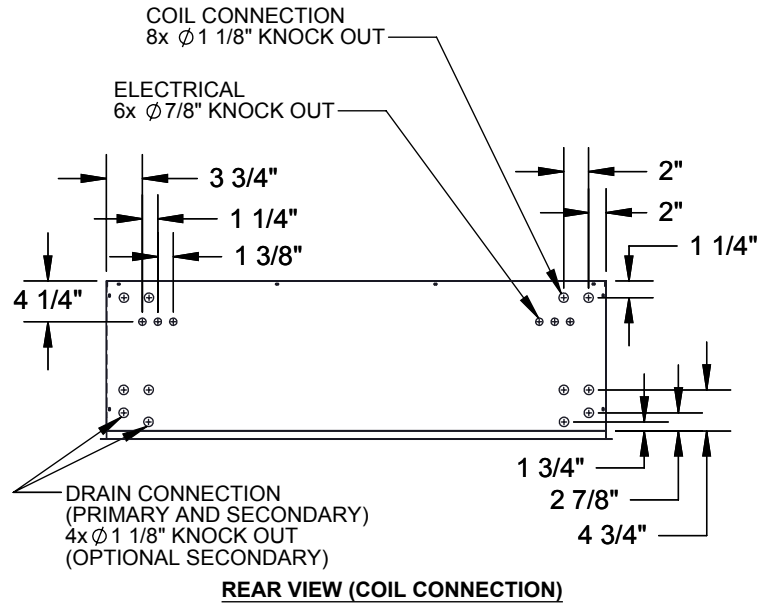
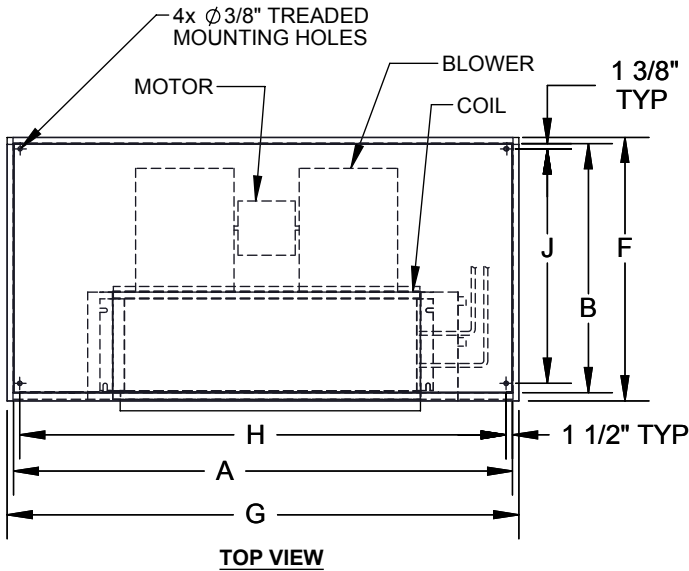


6" CABINET EXTENSION RIGHT HAND SHOWN

LH-E MODEL	LH-E FLUSH MOUNTED CABINET DIMENSIONS								
	A	B	C	D	E	F	G	H	FILTER SIZE
02/03	52	25 7/8	11	39 3/8	53 3/8	50 1/4	37 1/8	12	12" x 20" x 1"
04	52	25 7/8	11	39 3/8	53 3/8	50 1/4	37 1/8	12	12" x 20" x 1"
06	60	25 7/8	12	39 3/8	61 3/8	58 1/4	37 1/8	12	12" x 25" x 1"
08	60	25 7/8	12	45 3/8	61 3/8	58 1/4	43 1/8	18	12" x 25" x 1"
10	66	25 7/8	12	45 3/8	67 3/8	64 1/4	43 1/8	18	12" x 25" x 1"
12	66	25 7/8	12	45 3/8	67 3/8	64 1/4	43 1/8	18	12" x 25" x 1"

BOTTOM STAMPED
REV A

D107583



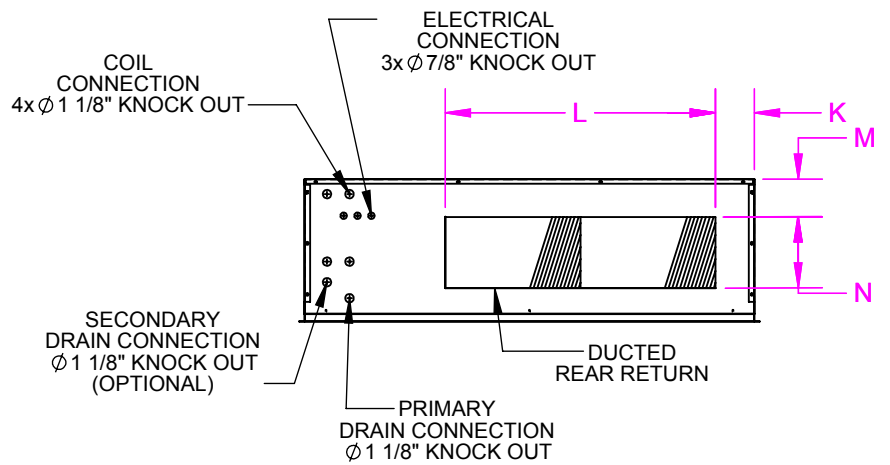
6" HANDED & 6" OPPOSITE CABINET EXTENSION & EXTENDED DRAIN PAN

RIGHT HAND SHOWN

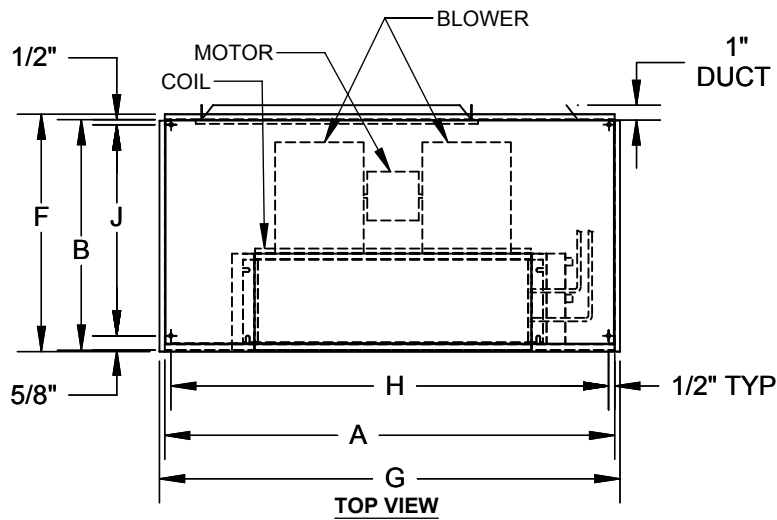
MODEL	A	B	C	D	E	F	G	H	J	K	BLOWER QTY	FILTER SIZE
200-300	58 1/2	27	11	6 3/8	19 1/8	27 3/4	59 1/2	55 1/2	24 1/8	19 3/4	1	(2) 11x20x1
400	58 1/2	27	11	6 3/8	25 1/8	27 3/4	59 1/2	55 1/2	24 1/8	16 11/16	2	(2) 11x20x1
600	66 1/2	27	12	6 3/8	31 1/8	27 3/4	67 1/2	67 1/2	24 1/8	17 11/16	2	(2) 11x24x1
800	66 1/2	27	12	7 5/8	31 1/8	27 3/4	67 1/2	67 1/2	24 1/8	17 11/16	2	(2) 11x24x1
1000	72 1/2	27	12	7 5/8	37 1/8	27 3/4	73 1/2	69 1/2	24 1/8	17 11/16	2	(2) 11x27x1
1200	72 1/2	27	12	7 5/8	43 1/8	27 3/4	73 1/5	69 1/2	24 1/8	14 11/16	2	(2) 11x27x1

FRONT DUCTED BOTTOM STAMPED
FLUSH
REV A

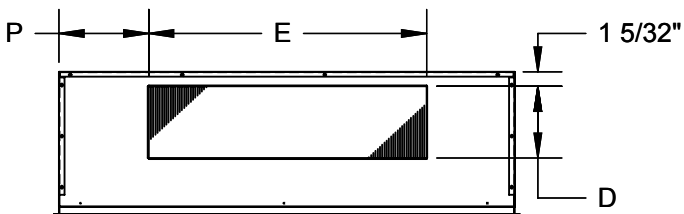
D107679



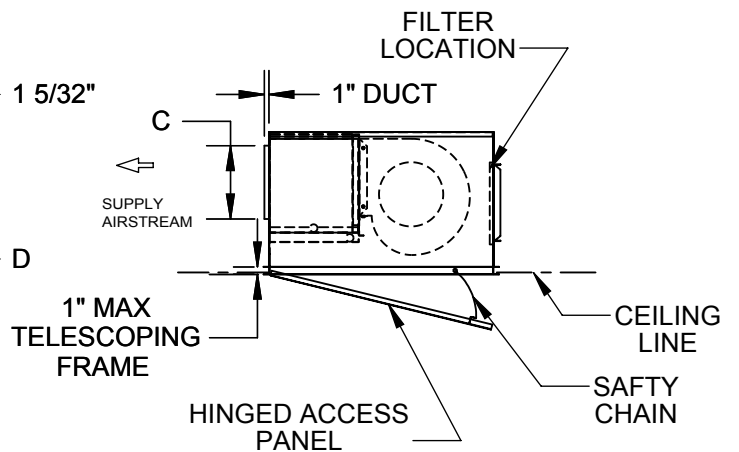
REAR VIEW



TOP VIEW



FRONT VIEW



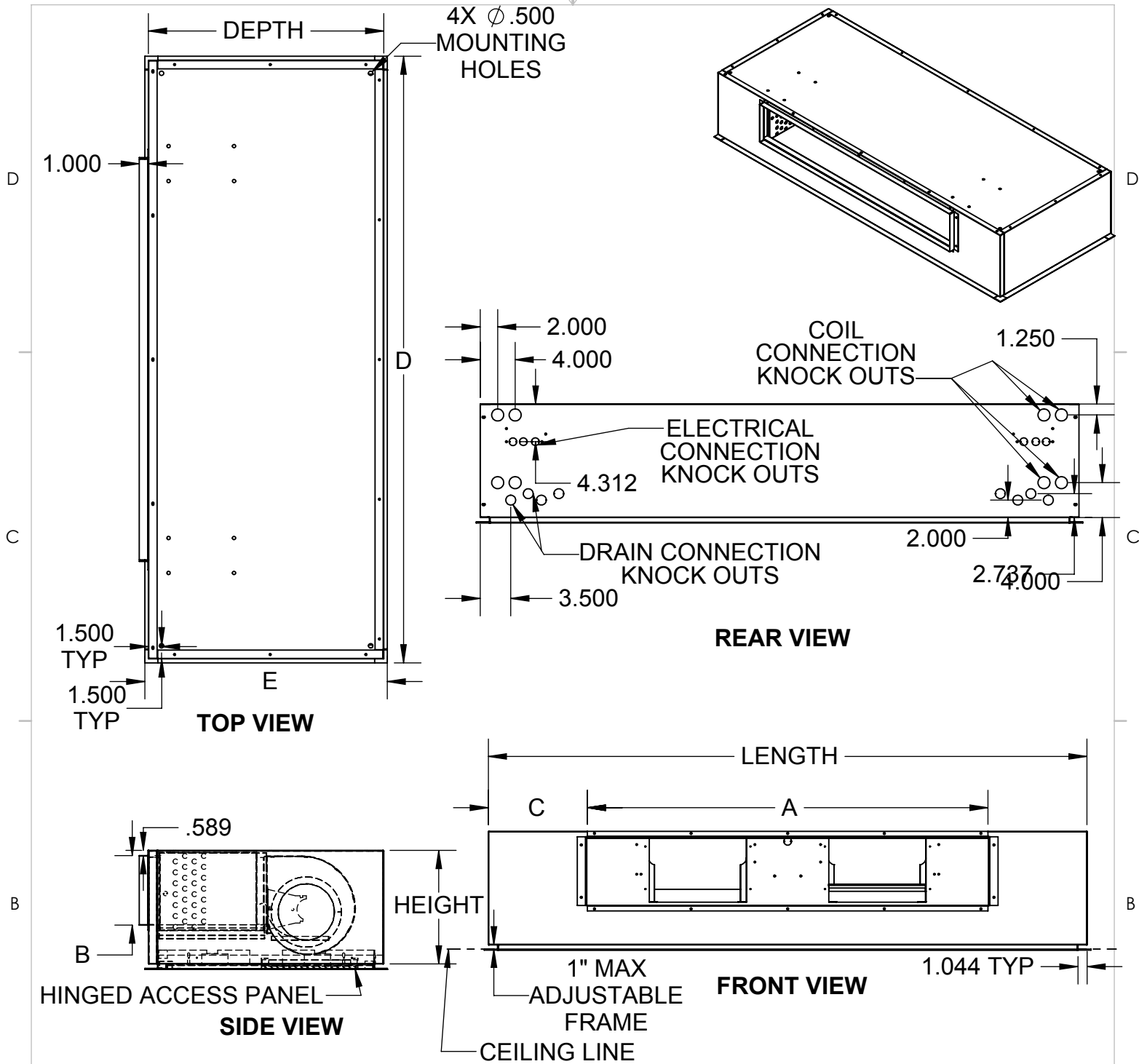
6" HANDED & 6" OPPOSITE CABINET EXTENTION & EXTENDED DRAIN PAN

RIGHT HAND SHOWN

MODEL	A	B	C	D	E	F	G	H	J	K	L	M	N	P	FILTER SIZE
LH 002-003	58 1/2	27	11	6 3/8	19 1/8	27 3/4	59 1/2	55 1/2	25 1/8	8 1/2	29	2 1/2	7	19 3/4	(1) 8x30x1
400	58 1/2	27	11	6 3/8	25 1/8	27 3/4	59 1/2	55 1/2	24 1/8	8 1/2	29	2 1/2	7	16 11/16	(1) 8x30x1
600	66 1/2	27	12	6 3/8	31 1/8	27 3/4	67 1/2	63 1/2	24 1/8	8 1/2	39	2 1/2	7	17 11/16	(2) 8x40x1
800	66 1/2	27	12	7 5/8	31 1/8	27 3/4	67 1/2	63 1/2	24 1/8	8 1/2	39	2 1/2	7	17 11/16	(2) 8x20x1
1000	72 1/2	27	12	7 5/8	37 1/8	27 3/4	73 1/2	69 1/2	24 1/8	8	49	2 1/2	7	17 11/16	(2) 8x25x1
1200	72 1/2	27	12	7 5/8	43 1/8	27 3/4	73 1/2	69 1/2	24 1/8	8	49	2 1/2	7	14 11/16	(2) 8x25x1

FRONT DUCTED REAR RETURN
 FLUSH
 REV A

D107625



6" HANDED & 6" OPPOSITE CABINET EXTENTION & EXTENDED DRAIN PAN

OVERALL				SUPPLY DUCT			FRAME		RIGHT HAND SHOWN	
UNIT SIZE	LENGTH	HEIGHT	DEPTH	A	B	C	D	E	BLOWERS	FILTER SIZE
002-003	58.5	11	27	18.25	6.38	20.13	59.5	27.75	1	(2) 11x20x1
004	58.5	11	27	24.25	6.38	17.13	59.5	27.75	2	(2) 11x20x1
006	66.5	11	27	32.25	6.38	17.13	67.5	27.75	2	(2) 11x24x1
008	66.5	13	27	32.25	8	17.13	67.5	27.75	2	(2) 11x24x1
010	80.5	13	27	38.25	8	21.13	81.5	27.75	2	(2) 11x27x1
012	80.5	13	27	46.25	8	17.13	81.5	27.75	2	(2) 11x27x1

PROPRIETARY AND CONFIDENTIAL
 THE INFORMATION CONTAINED IN THIS DOCUMENT IS THE SOLE PROPERTY OF WILLIAMS FURNACE COMPANY. ANY REPRODUCTION IN PART OR AS A WHOLE WITHOUT THE WRITTEN PERMISSION OF WILLIAMS FURNACE COMPANY IS PROHIBITED.

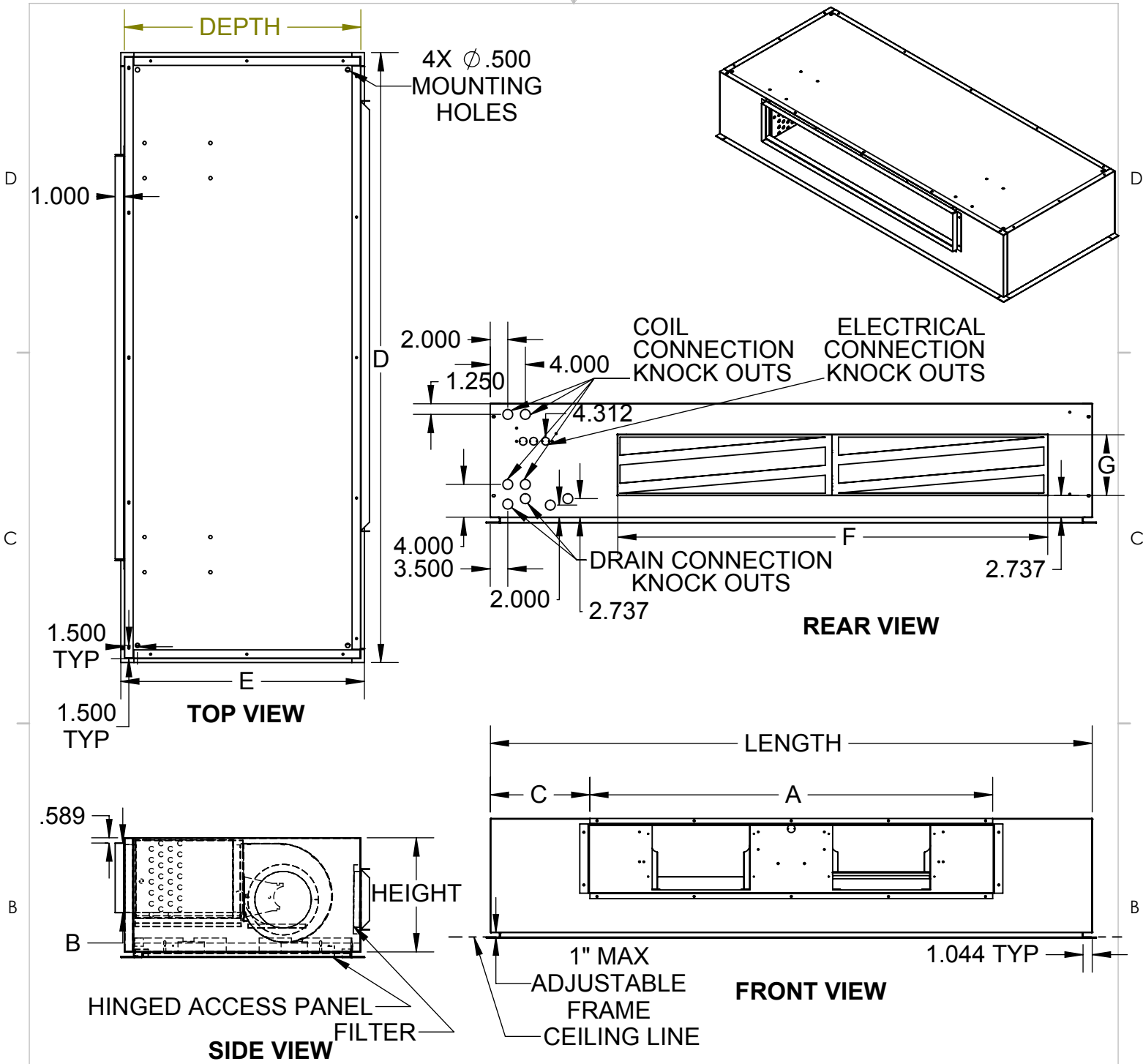
DRAWING NOT TO SCALE

TITLE:

LH.Flush
 Unit Revision Level B

DWG. NO.
 D107642

REV
 B



RIGHT HAND SHOWN

6" HANDED & 6" OPPOSITE EXTENSION & EXTENDED DRAIN PAN

OVERALL				SUPPLY DUCT			FRAME		RETURN DUCT		BLOWERS	FILTER SIZE
UNIT SIZE	LENGTH	HEIGHT	DEPTH	A	B	C	D	E	F	G		
002-003	58.5	11	27	18.25	6.38	20.13	59.5	27.75	29	7	1	(1) 8x30x1
004	58.5	11	27	24.25	6.38	17.13	59.5	27.75	29	7	2	(1) 8x30x1
006	66.5	11	27	32.25	6.38	17.13	67.5	27.75	39	7	2	(2) 8x20x1
008	66.5	13	27	32.25	8	17.13	67.5	27.75	39	9	2	(2) 8x20x1
010	80.5	13	27	38.25	8	21.13	81.5	27.75	49	9	2	(2) 8x25x1
012	80.5	13	27	46.25	8	17.13	81.5	27.75	49	9	2	(2) 8x25x1

PROPRIETARY AND CONFIDENTIAL
 THE INFORMATION CONTAINED IN THIS DOCUMENT IS THE SOLE PROPERTY OF THE MANUFACTURER. ANY REPRODUCTION IN PART OR AS A WHOLE WITHOUT WRITTEN PERMISSION IS PROHIBITED.

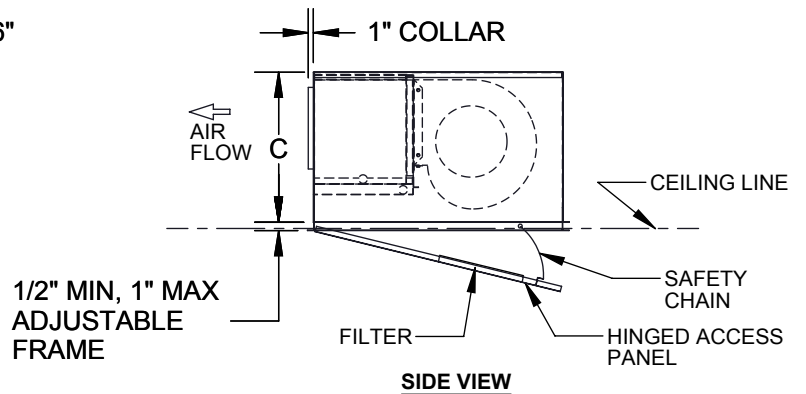
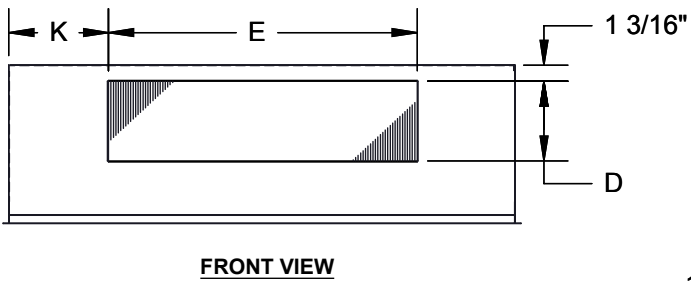
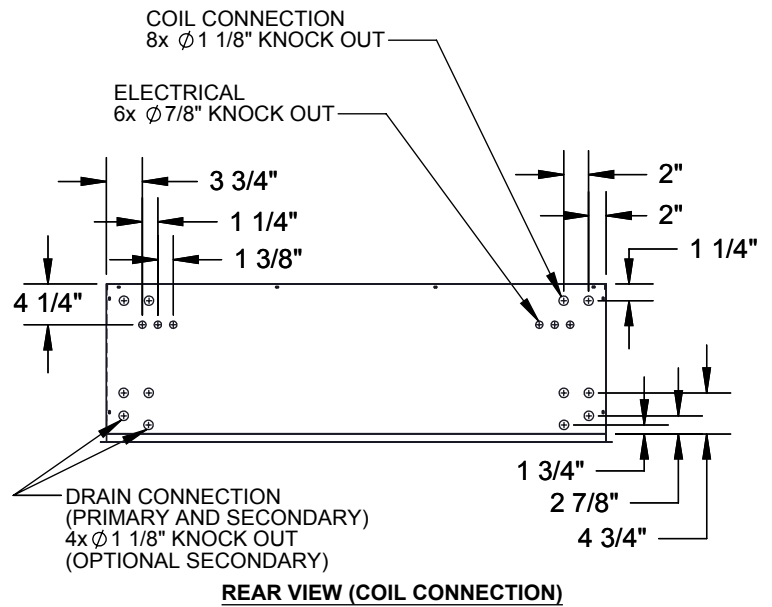
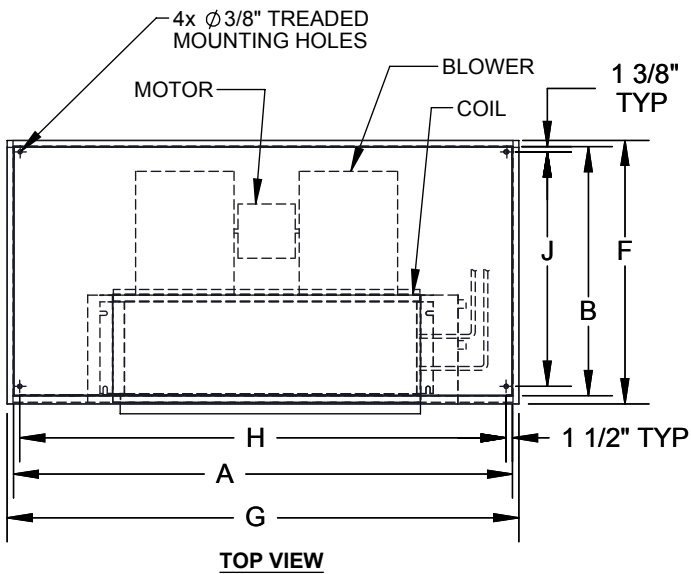
TITLE:

LH.Flush
 Unit Revision Level B

DWG. NO.
 D107572

REV
 B

DRAWING NOT TO SCALE



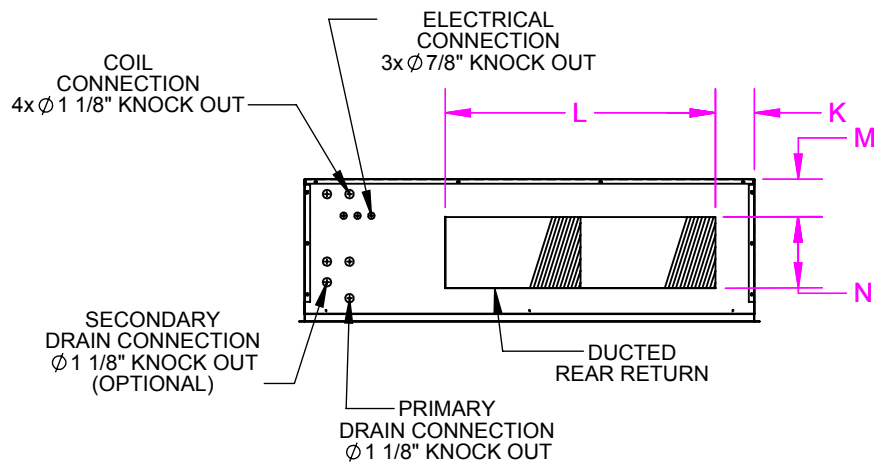
6" HANDED & 8" OPPOSITE CABINET EXTENSION & EXTENDED DRAIN PAN

RIGHT HAND SHOWN

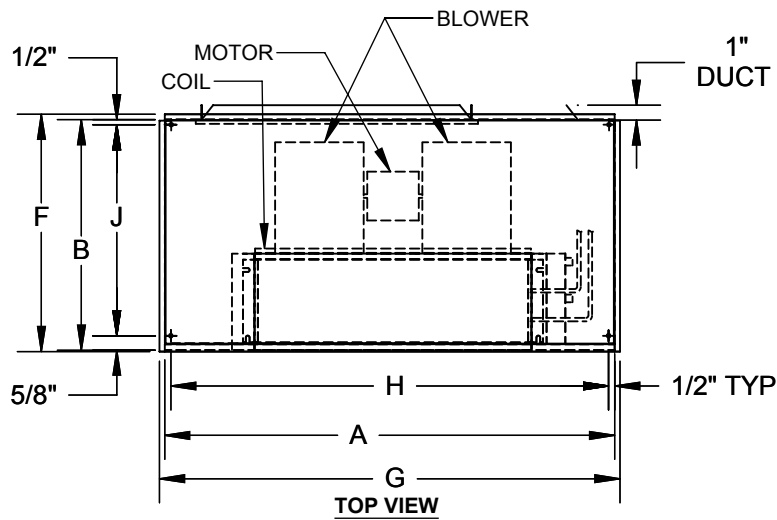
MODEL	A	B	C	D	E	F	G	H	J	K	BLOWER QTY	FILTER SIZE
200-300	60 1/2	27	11	6 3/8	19 1/8	27 3/4	61 1/2	57 1/2	24 1/8	21 3/4	1	(2) 11x20x1
400	60 1/2	27	11	6 3/8	25 1/8	27 3/4	61 1/2	57 1/2	24 1/8	18 11/16	2	(2) 11x20x1
600	68 1/2	27	12	6 3/8	31 1/8	27 3/4	69 1/2	69 1/2	24 1/8	19 11/16	2	(2) 11x24x1
800	68 1/2	27	12	7 5/8	31 1/8	27 3/4	69 1/2	69 1/2	24 1/8	19 11/16	2	(2) 11x24x1
1000	74 1/2	27	12	7 5/8	37 1/8	27 3/4	75 1/2	71 1/2	24 1/8	19 11/16	2	(2) 11x27x1
1200	74 1/2	27	12	7 5/8	43 1/8	27 3/4	75 1/5	71 1/2	24 1/8	16 11/16	2	(2) 11x27x1

FRONT DUCTED BOTTOM STAMPED
FLUSH
REV A

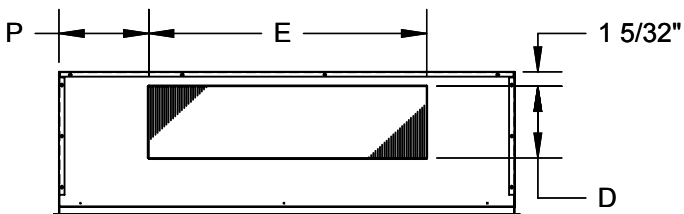
D107680



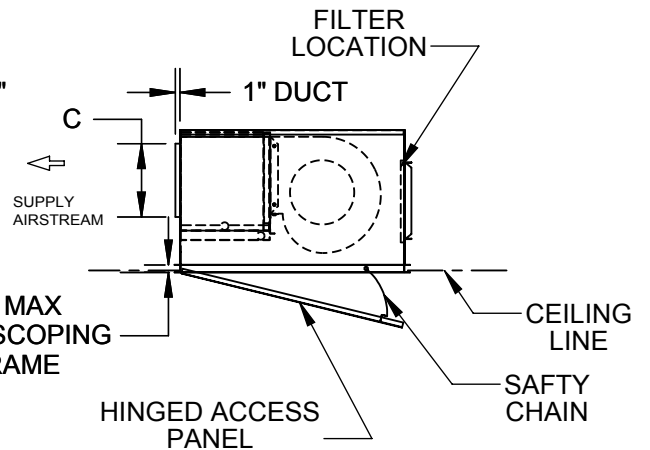
REAR VIEW



TOP VIEW



FRONT VIEW



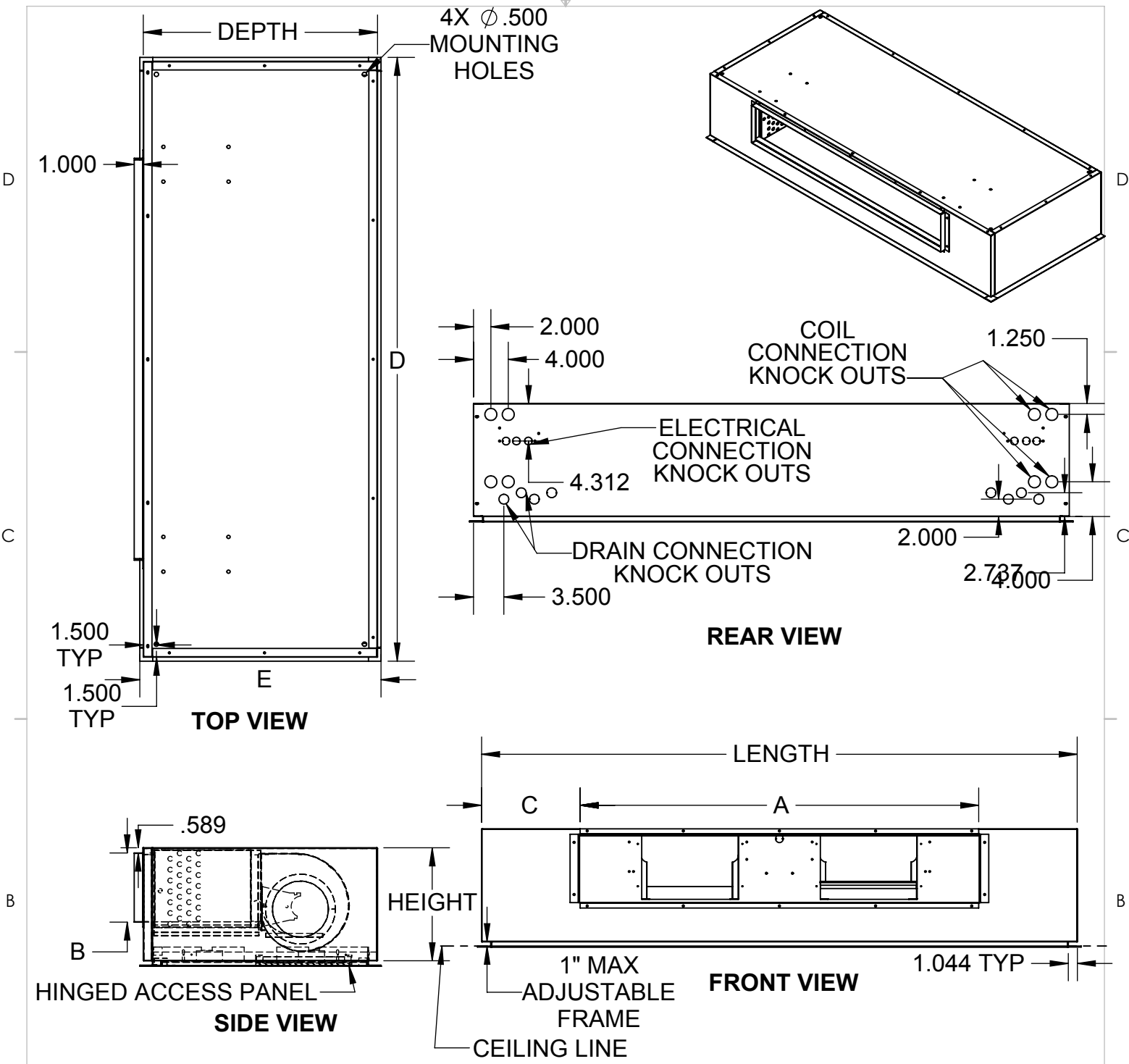
6" HANDED & 8" OPPOSITE CABINET EXTENTION & EXTENDED DRAIN PAN

RIGHT HAND SHOWN

MODEL	A	B	C	D	E	F	G	H	J	K	L	M	N	P	FILTER SIZE
LH 002-003	60 1/2	27	11	6 3/8	19 1/8	27 3/4	61 1/2	57 1/2	25 1/8	10 1/2	29	2 1/2	7	21 3/4	(1) 8x30x1
400	60 1/2	27	11	6 3/8	25 1/8	27 3/4	61 1/2	57 1/2	24 1/8	10 1/2	29	2 1/2	7	18 11/16	(1) 8x30x1
600	68 1/2	27	12	6 3/8	31 1/8	27 3/4	69 1/2	65 1/2	24 1/8	10 1/2	39	2 1/2	7	19 11/16	(2) 8x40x1
800	68 1/2	27	12	7 5/8	31 1/8	27 3/4	69 1/2	65 1/2	24 1/8	10 1/2	39	2 1/2	7	19 11/16	(2) 8x20x1
1000	74 1/2	27	12	7 5/8	37 1/8	27 3/4	75 1/2	71 1/2	24 1/8	10	49	2 1/2	7	19 11/16	(2) 8x25x1
1200	74 1/2	27	12	7 5/8	43 1/8	27 3/4	75 1/2	71 1/2	24 1/8	10	49	2 1/2	7	16 11/16	(2) 8x25x1

FRONT DUCTED REAR RETURN
 FLUSH
 REV A

D107626



6" HANDED & 8" OPPOSITE CABINET EXTENTION & EXTENDED DRAIN PAN

OVERALL				SUPPLY DUCT			FRAME		RIGHT HAND SHOWN	
UNIT SIZE	LENGTH	HEIGHT	DEPTH	A	B	C	D	E	BLOWERS	FILTER SIZE
002-003	60.5	11	27	18.25	6.38	22.13	61.5	27.75	1	(2) 11x20x1
004	60.5	11	27	24.25	6.38	19.13	61.5	27.75	2	(2) 11x20x1
006	68.5	11	27	32.25	6.38	19.13	69.5	27.75	2	(2) 11x24x1
008	68.5	13	27	32.25	8	19.13	69.5	27.75	2	(2) 11x24x1
010	82.5	13	27	38.25	8	23.13	83.5	27.75	2	(2) 11x27x1
012	82.5	13	27	46.25	8	19.13	83.5	27.75	2	(2) 11x27x1

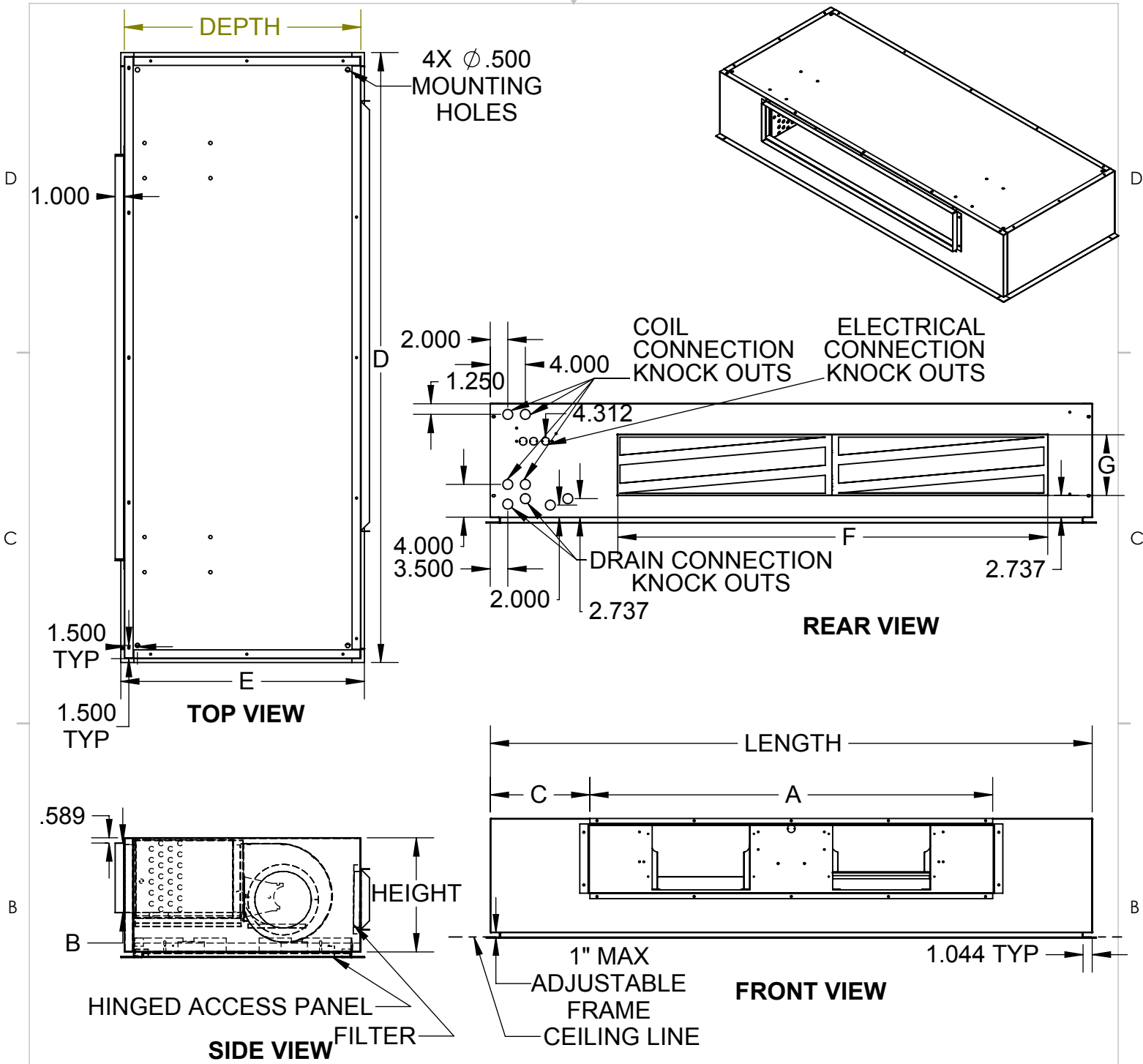
PROPRIETARY AND CONFIDENTIAL
 THE INFORMATION CONTAINED IN THIS DOCUMENT IS THE SOLE PROPERTY OF WILLIAMS FURNACE COMPANY. ANY REPRODUCTION IN PART OR AS A WHOLE WITHOUT THE WRITTEN PERMISSION OF WILLIAMS FURNACE COMPANY IS PROHIBITED.

TITLE:
 LH.Flush
 Unit Revision Level B

DWG. NO.
 D107643

REV
 B

DRAWING NOT TO SCALE



6" HANDED & 8" OPPOSITE EXTENSION & EXTENDED DRAIN PAN

OVERALL				SUPPLY DUCT			FRAME		RETURN DUCT		BLOWERS	FILTER SIZE
UNIT SIZE	LENGTH	HEIGHT	DEPTH	A	B	C	D	E	F	G		
002-003	60.5	11	27	18.25	6.38	22.13	61.5	27.75	29	7	1	(1) 8x30x1
004	60.5	11	27	24.25	6.38	19.13	61.5	27.75	29	7	2	(1) 8x30x1
006	68.5	11	27	32.25	6.38	19.13	69.5	27.75	39	7	2	(2) 8x20x1
008	68.5	13	27	32.25	8	19.13	69.5	27.75	39	9	2	(2) 8x20x1
010	82.5	13	27	38.25	8	23.13	83.5	27.75	49	9	2	(2) 8x25x1
012	82.5	13	27	46.25	8	19.13	83.5	27.75	49	9	2	(2) 8x25x1

PROPRIETARY AND CONFIDENTIAL
 THE INFORMATION CONTAINED IN THIS DOCUMENT IS THE SOLE
 PROPERTY OF THE MANUFACTURER. ANY REPRODUCTION IN PART
 OR AS A WHOLE WITHOUT WRITTEN PERMISSION IS PROHIBITED.

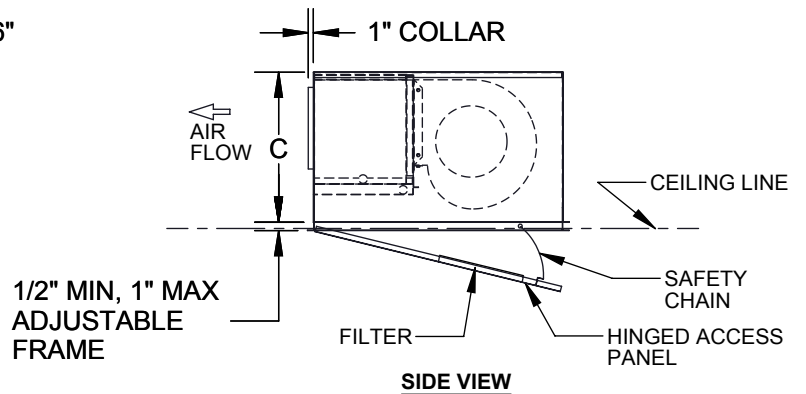
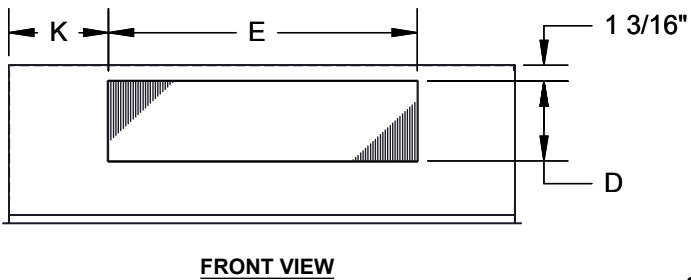
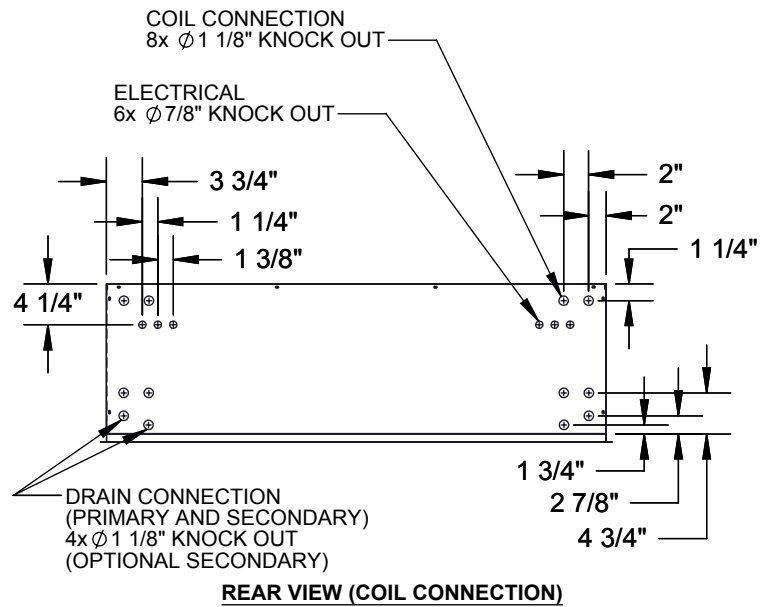
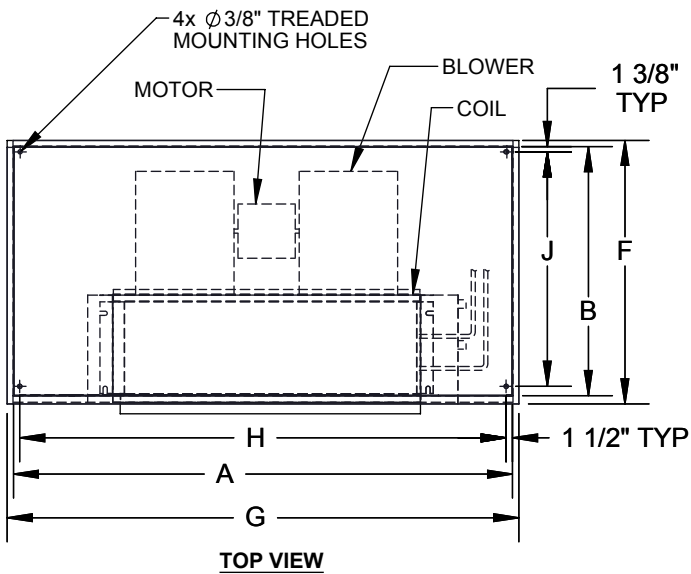
TITLE:

LH.Flush
 Unit Revision Level B

DWG. NO.
 D107573

REV
 B

DRAWING NOT TO SCALE



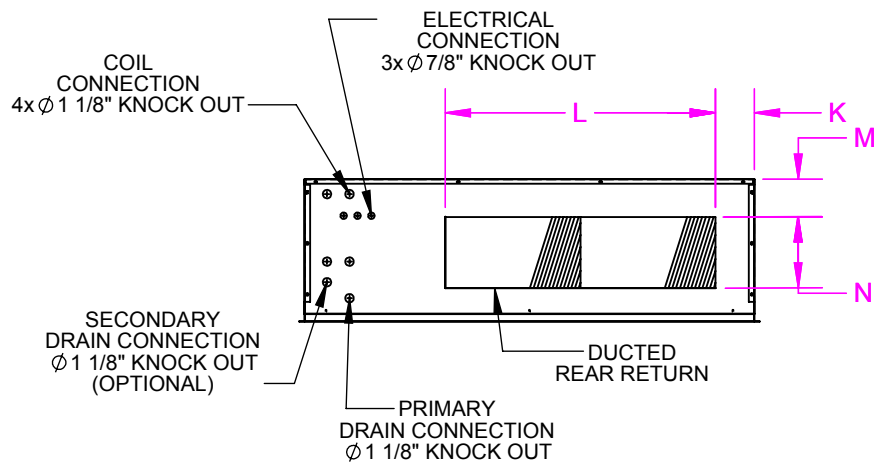
6" HANDED & 10" OPPOSITE CABINET EXTENSION & EXTENDED DRAIN PAN

RIGHT HAND SHOWN

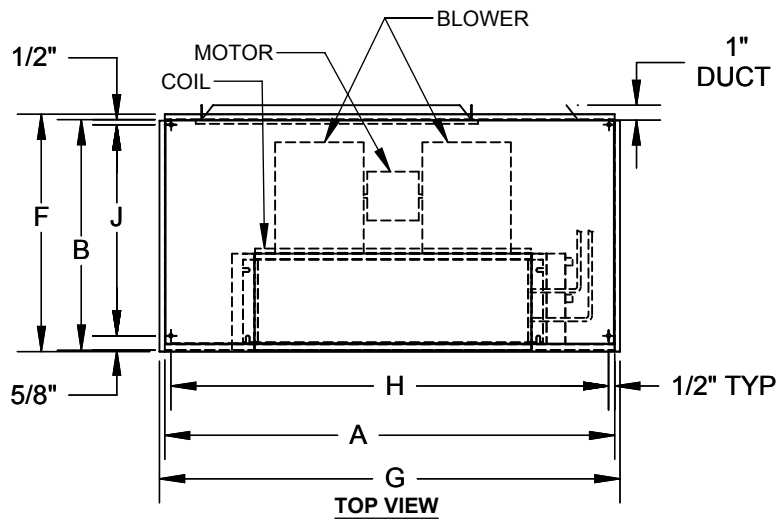
MODEL	A	B	C	D	E	F	G	H	J	K	BLOWER QTY	FILTER SIZE
200-300	62 1/2	27	11	6 3/8	19 1/8	27 3/4	63 1/2	59 1/2	24 1/8	23 3/4	1	(2) 11x20x1
400	62 1/2	27	11	6 3/8	25 1/8	27 3/4	63 1/2	59 1/2	24 1/8	20 11/16	2	(2) 11x20x1
600	70 1/2	27	12	6 3/8	31 1/8	27 3/4	71 1/2	71 1/2	24 1/8	21 11/16	2	(2) 11x24x1
800	70 1/2	27	12	7 5/8	31 1/8	27 3/4	71 1/2	71 1/2	24 1/8	21 11/16	2	(2) 11x24x1
1000	76 1/2	27	12	7 5/8	37 1/8	27 3/4	77 1/2	73 1/2	24 1/8	21 11/16	2	(2) 11x27x1
1200	76 1/2	27	12	7 5/8	43 1/8	27 3/4	77 1/5	73 1/2	24 1/8	18 11/16	2	(2) 11x27x1

BOTTOM STAMPED
LH-FLUSH
REV A

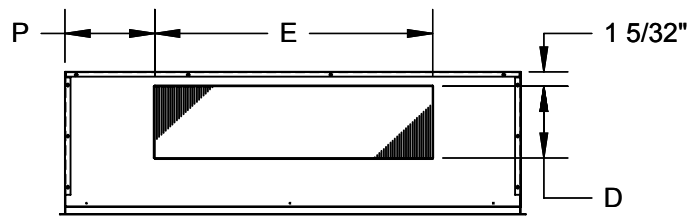
D107681



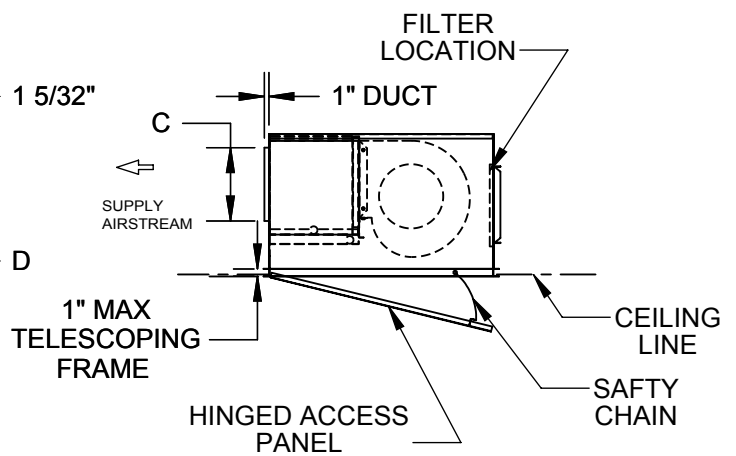
REAR VIEW



TOP VIEW



FRONT VIEW



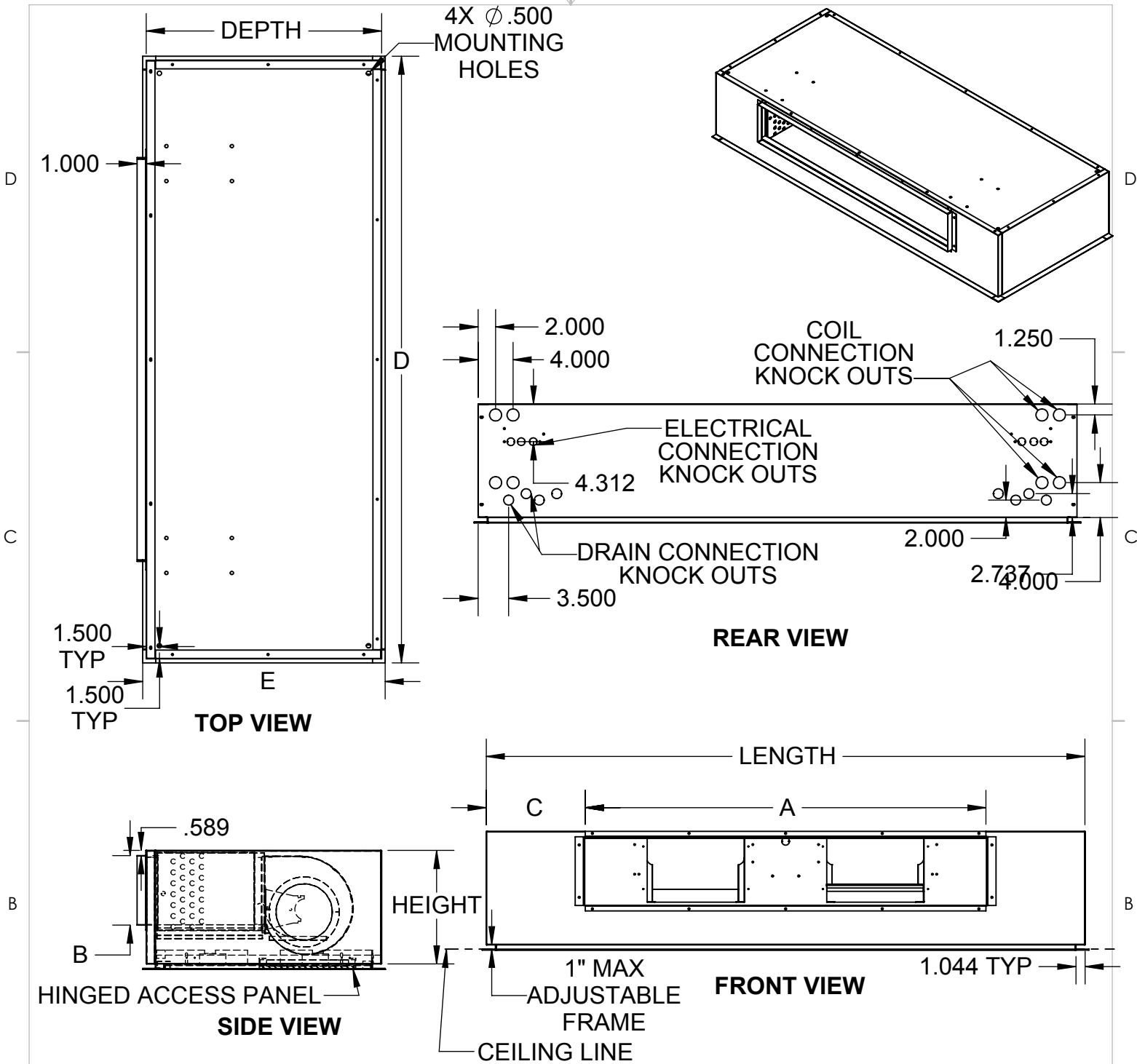
6" HANDED & 10" OPPOSITE CABINET EXTENTION & EXTENDED DRAIN PAN

RIGHT HAND SHOWN

MODEL	A	B	C	D	E	F	G	H	J	K	L	M	N	P	FILTER SIZE
LH 002-003	62 1/2	27	11	6 3/8	19 1/8	27 3/4	63 1/2	59 1/2	25 1/8	12 1/2	29	2 1/2	7	23 3/4	(1) 8x30x1
400	62 1/2	27	11	6 3/8	25 1/8	27 3/4	63 1/2	59 1/2	24 1/8	12 1/2	29	2 1/2	7	20 11/16	(1) 8x30x1
600	70 1/2	27	12	6 3/8	31 1/8	27 3/4	71 1/2	67 1/2	24 1/8	12 1/2	39	2 1/2	7	21 11/16	(2) 8x40x1
800	70 1/2	27	12	7 5/8	31 1/8	27 3/4	71 1/2	67 1/2	24 1/8	12 1/2	39	2 1/2	7	21 11/16	(2) 8x20x1
1000	76 1/2	27	12	7 5/8	37 1/8	27 3/4	77 1/2	73 1/2	24 1/8	12	49	2 1/2	7	21 11/16	(2) 8x25x1
1200	76 1/2	27	12	7 5/8	43 1/8	27 3/4	77 1/2	73 1/2	24 1/8	12	49	2 1/2	7	18 11/16	(2) 8x25x1

FRONT DUCTED REAR RETURN
 FLUSH
 REV A

D107627



6" HANDED & 10" OPPOSITE CABINET EXTENSION & EXTENDED DRAIN PAN

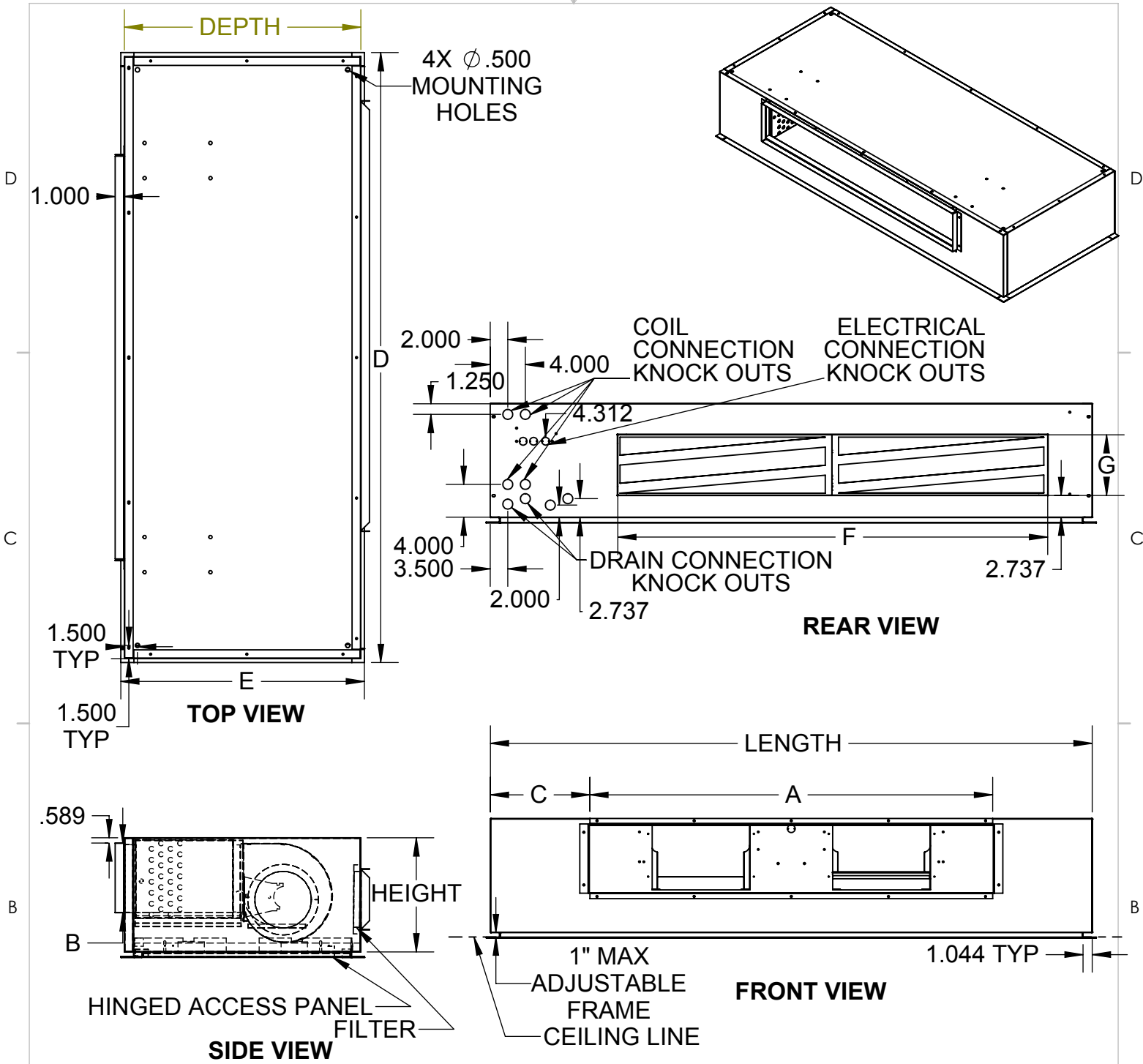
OVERALL				SUPPLY DUCT			FRAME		RIGHT HAND SHOWN	
UNIT SIZE	LENGTH	HEIGHT	DEPTH	A	B	C	D	E	BLOWERS	FILTER SIZE
002-003	62.5	11	27	18.25	6.38	24.13	63.5	27.75	1	(2) 11x20x1
004	62.5	11	27	24.25	6.38	21.13	63.5	27.75	2	(2) 11x20x1
006	70.5	11	27	32.25	6.38	21.13	71.5	27.75	2	(2) 11x24x1
008	70.5	13	27	32.25	8	21.13	71.5	27.75	2	(2) 11x24x1
010	84.5	13	27	38.25	8	25.13	85.5	27.75	2	(2) 11x27x1
012	84.5	13	27	46.25	8	21.13	85.5	27.75	2	(2) 11x27x1

PROPRIETARY AND CONFIDENTIAL
 THE INFORMATION CONTAINED IN THIS DOCUMENT IS THE SOLE PROPERTY OF WILLIAMS FURNACE COMPANY. ANY REPRODUCTION IN PART OR AS A WHOLE WITHOUT THE WRITTEN PERMISSION OF WILLIAMS FURNACE COMPANY IS PROHIBITED.

TITLE:
 LH.Flush
 Unit Revision Level B

DWG. NO. D107644
 REV B

DRAWING NOT TO SCALE



RIGHT HAND SHOWN

6" HANDED & 10" OPPOSITE EXTENSION & EXTENDED DRAIN PAN

OVERALL				SUPPLY DUCT			FRAME		RETURN DUCT		BLOWERS	FILTER SIZE
UNIT SIZE	LENGTH	HEIGHT	DEPTH	A	B	C	D	E	F	G		
002-003	62.5	11	27	18.25	6.38	24.13	63.5	27.75	29	7	1	(1) 8x30x1
004	62.5	11	27	24.25	6.38	21.13	63.5	27.75	29	7	2	(1) 8x30x1
006	70.5	11	27	32.25	6.38	21.13	71.5	27.75	39	7	2	(2) 8x20x1
008	70.5	13	27	32.25	8	21.13	71.5	27.75	39	9	2	(2) 8x20x1
010	84.5	13	27	38.25	8	25.13	85.5	27.75	49	9	2	(2) 8x25x1
012	84.5	13	27	46.25	8	21.13	85.5	27.75	49	9	2	(2) 8x25x1

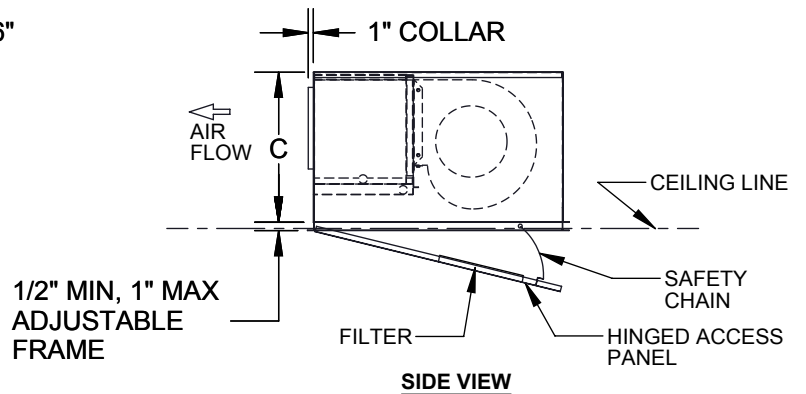
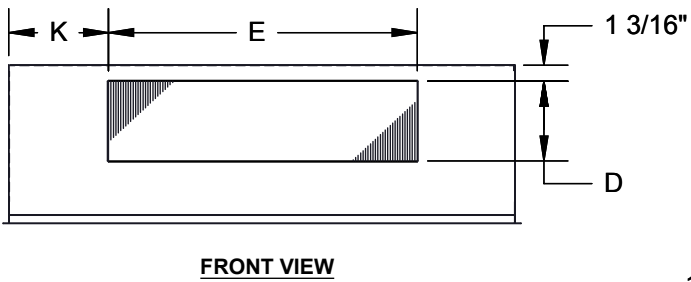
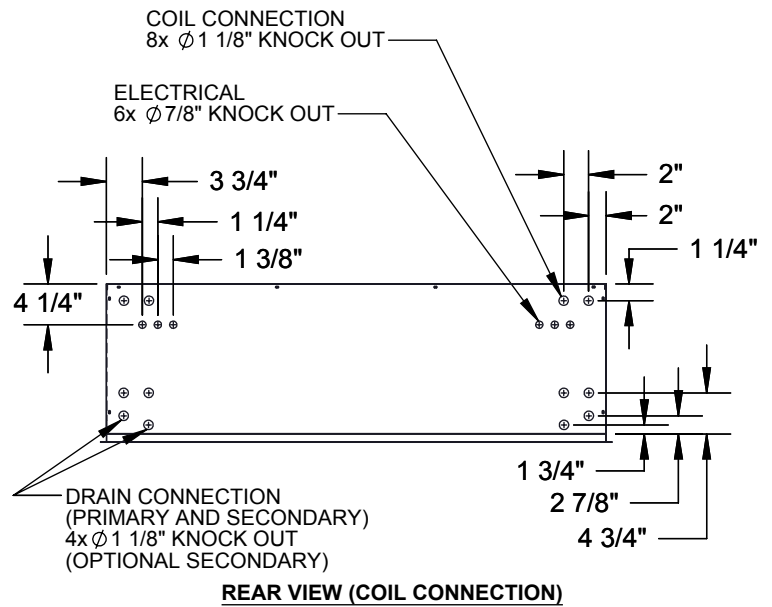
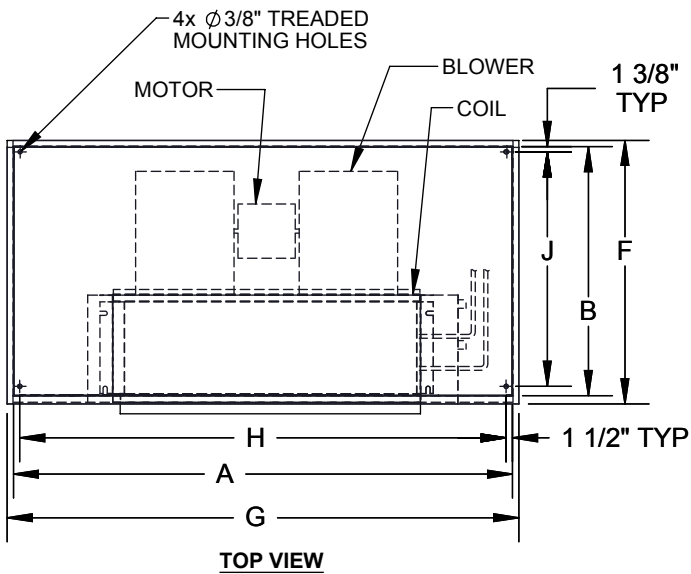
PROPRIETARY AND CONFIDENTIAL
 THE INFORMATION CONTAINED IN THIS DOCUMENT IS THE SOLE PROPERTY OF THE MANUFACTURER. ANY REPRODUCTION IN PART OR AS A WHOLE WITHOUT WRITTEN PERMISSION IS PROHIBITED.

TITLE:
 LH.Flush
 Unit Revision Level B

DWG. NO.
 D107574

REV
 B

DRAWING NOT TO SCALE



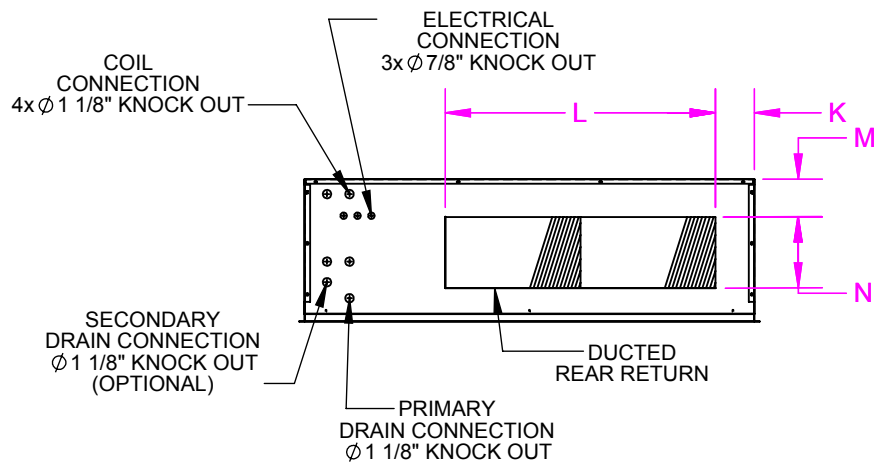
6" HANDED SIDE CABINET EXTENDED DRAIN PAN

RIGHT HAND SHOWN

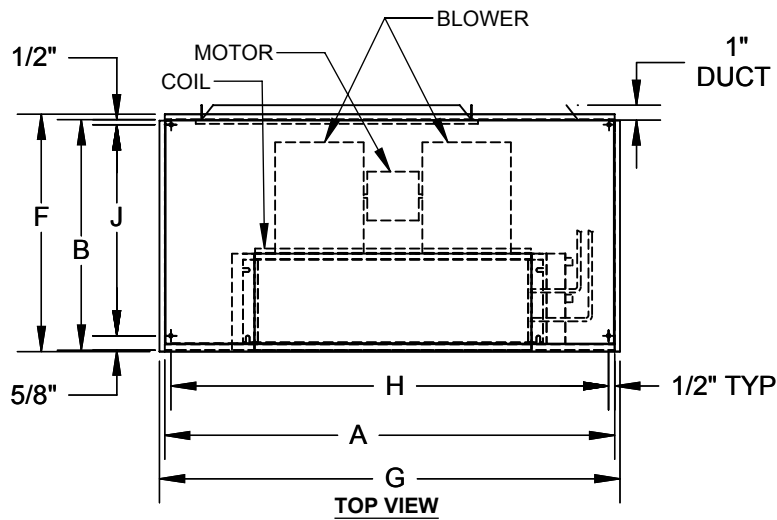
MODEL	A	B	C	D	E	F	G	H	J	K	BLOWER QTY	FILTER SIZE
200-300	52 1/2	27	11	6 3/8	19 1/8	27 3/4	53 1/2	49 1/2	24 1/8	13 3/4	1	(2) 11x20x1
400	52 1/2	27	11	6 3/8	25 1/8	27 3/4	53 1/2	49 1/2	24 1/8	10 11/16	2	(2) 11x20x1
600	60 1/2	27	12	6 3/8	31 1/8	27 3/4	61 1/2	61 1/2	24 1/8	11 11/16	2	(2) 11x24x1
800	60 1/2	27	12	7 5/8	31 1/8	27 3/4	61 1/2	61 1/2	24 1/8	11 11/16	2	(2) 11x24x1
1000	66 1/2	27	12	7 5/8	37 1/8	27 3/4	67 1/2	63 1/2	24 1/8	11 11/16	2	(2) 11x27x1
1200	66 1/2	27	12	7 5/8	43 1/8	27 3/4	67 1/5	63 1/2	24 1/8	8 11/16	2	(2) 11x27x1

BOTTOM STAMPED
FLUSH
REV A

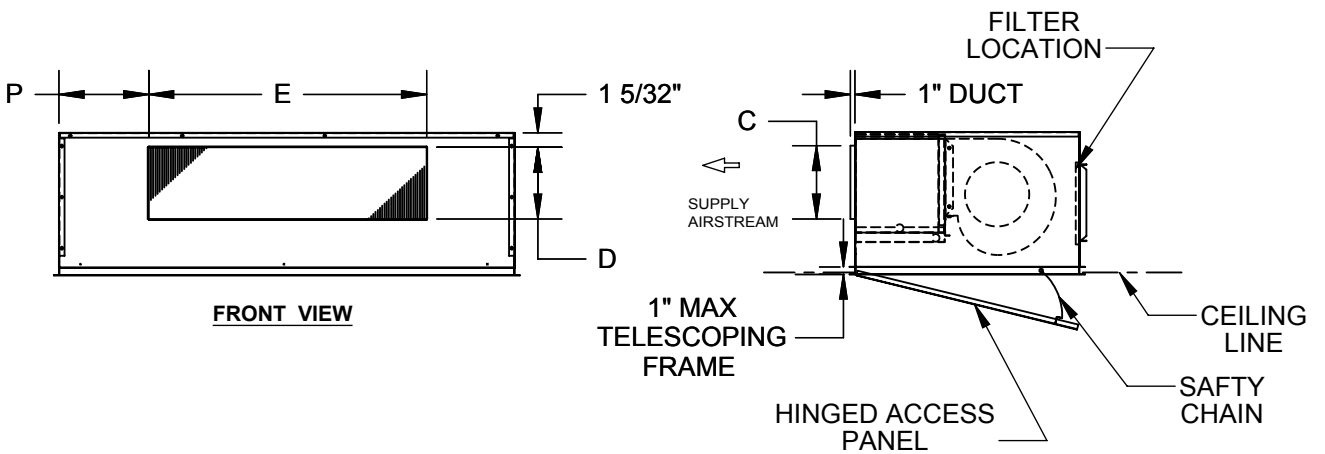
D107677



REAR VIEW



TOP VIEW



FRONT VIEW

6\"/>

RIGHT HAND SHOWN

MODEL	A	B	C	D	E	F	G	H	J	K	L	M	N	P	FILTER SIZE
LH 002-003	52 1/2	27	11	6 3/8	19 1/8	27 3/4	53 1/2	49 1/2	25 1/8	2 1/2	29	2 1/2	7	13 3/4	(1) 8x30x1
400	52 1/2	27	11	6 3/8	25 1/8	27 3/4	53 1/2	49 1/2	24 1/8	2 1/2	29	2 1/2	7	10 11/16	(1) 8x30x1
600	60 1/2	27	12	6 3/8	31 1/8	27 3/4	61 1/2	57 1/2	24 1/8	2 1/2	39	2 1/2	7	11 11/16	(2) 8x40x1
800	60 1/2	27	12	7 5/8	31 1/8	27 3/4	61 1/2	57 1/2	24 1/8	2 1/2	39	2 1/2	7	11 11/16	(2) 8x20x1
1000	66 1/2	27	12	7 5/8	37 1/8	27 3/4	67 1/2	63 1/2	24 1/8	2	49	2 1/2	7	11 11/16	(2) 8x25x1
1200	66 1/2	27	12	7 5/8	43 1/8	27 3/4	67 1/2	63 1/2	24 1/8	2	49	2 1/2	7	8 11/16	(2) 8x25x1

FRONT DUCTED REAR RETURN
 FLUSH
 REV A

D107623

2 1

DEPTH

4X ϕ .500 MOUNTING HOLES

1.000

D

2.000

4.000

COIL CONNECTION KNOCK OUTS

1.250

ELECTRICAL CONNECTION KNOCK OUTS

4.312

DRAIN CONNECTION KNOCK OUTS

2.000

2.737

4.000

3.500

REAR VIEW

1.500 TYP

1.500 TYP

E

TOP VIEW

LENGTH

C

A

B

HEIGHT

1" MAX ADJUSTABLE FRAME

FRONT VIEW

1.044 TYP

CEILING LINE

HINGED ACCESS PANEL

.589

6" HANDED SIDE CABINET EXTENDED DRAIN PAN

OVERALL				SUPPLY DUCT			FRAME		RIGHT HAND SHOWN	
UNIT SIZE	LENGTH	HEIGHT	DEPTH	A	B	C	D	E	BLOWERS	FILTER SIZE
002-003	52.5	11	27	18.25	6.38	14.13	53.5	27.75	1	(2) 11x20x1
004	52.5	11	27	24.25	6.38	11.13	53.5	27.75	2	(2) 11x20x1
006	60.5	11	27	32.25	6.38	11.13	61.5	27.75	2	(2) 11x24x1
008	60.5	13	27	32.25	8	11.13	61.5	27.75	2	(2) 11x24x1
010	74.5	13	27	38.25	8	15.13	75.5	27.75	2	(2) 11x27x1
012	74.5	13	27	46.25	8	11.13	75.5	27.75	2	(2) 11x27x1

PROPRIETARY AND CONFIDENTIAL
 THE INFORMATION CONTAINED IN THIS DOCUMENT IS THE SOLE PROPERTY OF WILLIAMS FURNACE COMPANY. ANY REPRODUCTION IN PART OR AS A WHOLE WITHOUT THE WRITTEN PERMISSION OF WILLIAMS FURNACE COMPANY IS PROHIBITED.

TITLE:
 LH.Flush
 Unit Revision Level B

DWG. NO.
 D#####

REV
 B

DRAWING NOT TO SCALE

2 1

SHEET 1 OF 1

2 1

DEPTH

4X Ø.500 MOUNTING HOLES

1.000

2.000

1.250

4.000

4.312

COIL CONNECTION KNOCK OUTS

ELECTRICAL CONNECTION KNOCK OUTS

4.000

3.500

2.000

2.737

DRAIN CONNECTION KNOCK OUTS

2.737

1.500 TYP

1.500 TYP

TOP VIEW

REAR VIEW

LENGTH

C

A

HEIGHT

.589

B

B

HINGED ACCESS PANEL

FILTER

1" MAX ADJUSTABLE FRAME

CEILING LINE

1.044 TYP

FRONT VIEW

RIGHT HAND SHOWN

6" HANDED CABINET EXTENDED DRAIN PAN

OVERALL				SUPPLY DUCT			FRAME		RETURN DUCT			
UNIT SIZE	LENGTH	HEIGHT	DEPTH	A	B	C	D	E	F	G	BLOWERS	FILTER SIZE
002-003	52.5	11	27	18.25	6.38	14.13	53.5	27.75	29	7	1	(1) 8X30X1
004	52.5	11	27	24.25	6.38	11.13	53.5	27.75	29	7	2	(1) 8X30X1
006	60.5	11	27	32.25	6.38	11.13	61.5	27.75	39	7	2	(2) 8X20X1
008	60.5	13	27	32.25	8	11.13	61.5	27.75	39	9	2	(2) 8X20X1
010	74.5	13	27	38.25	8	15.13	75.5	27.75	49	9	2	(2) 8X25X1
012	74.5	13	27	46.25	8	11.13	75.5	27.75	49	9	2	(2) 8X25X1

PROPRIETARY AND CONFIDENTIAL
THE INFORMATION CONTAINED IN THIS DOCUMENT IS THE SOLE PROPERTY OF THE MANUFACTURER. ANY REPRODUCTION IN PART OR AS A WHOLE WITHOUT WRITTEN PERMISSION IS PROHIBITED.

TITLE:

LH.Flush
Unit Revision Level B

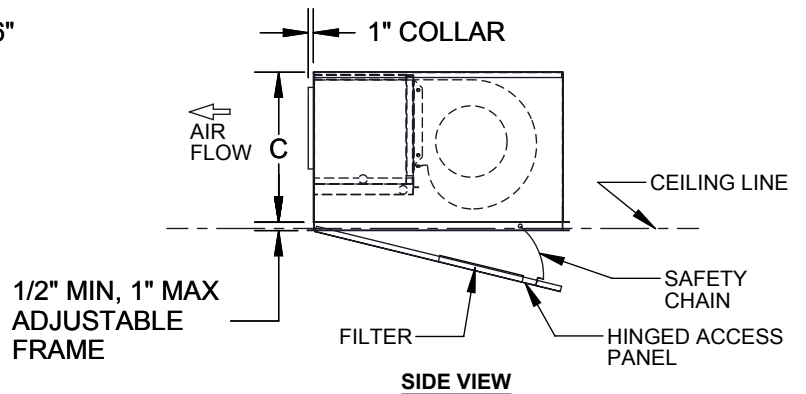
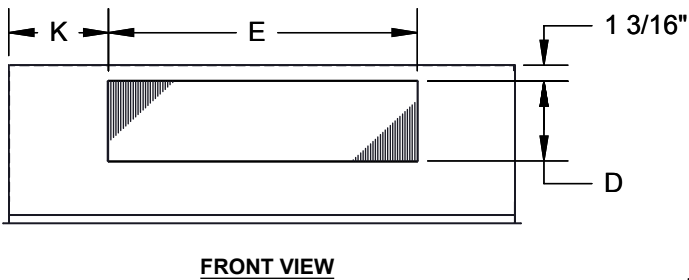
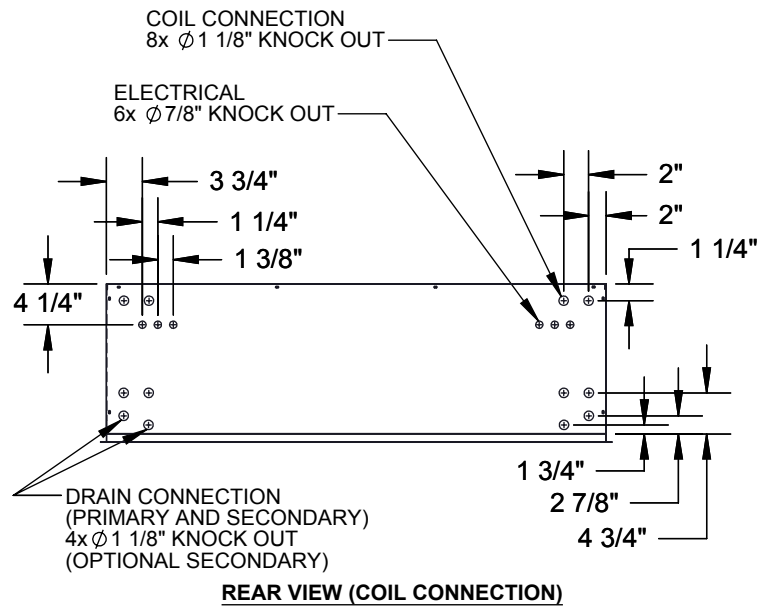
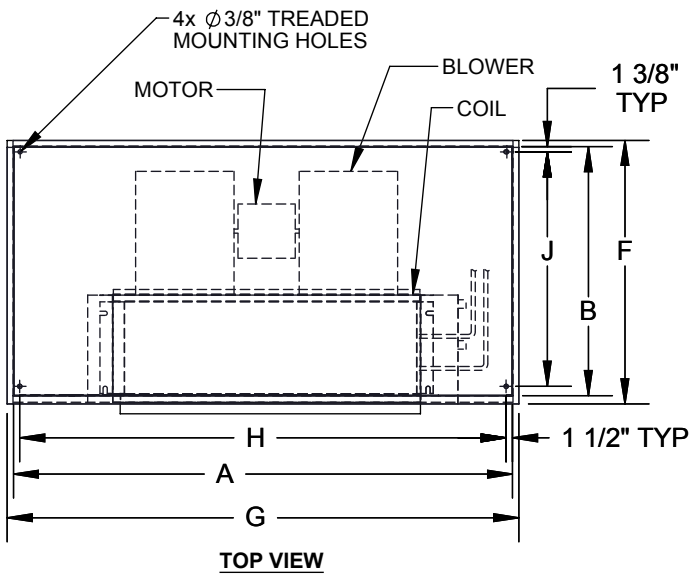
DWG. NO.
D107568

REV
B

DRAWING NOT TO SCALE

2 1

SHEET 1 OF 1



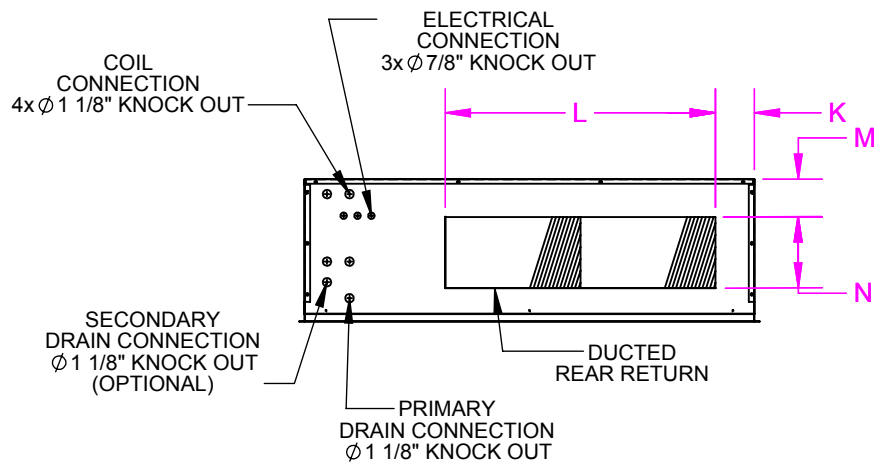
6" OPPOSITE CABINET EXTENSION

RIGHT HAND SHOWN

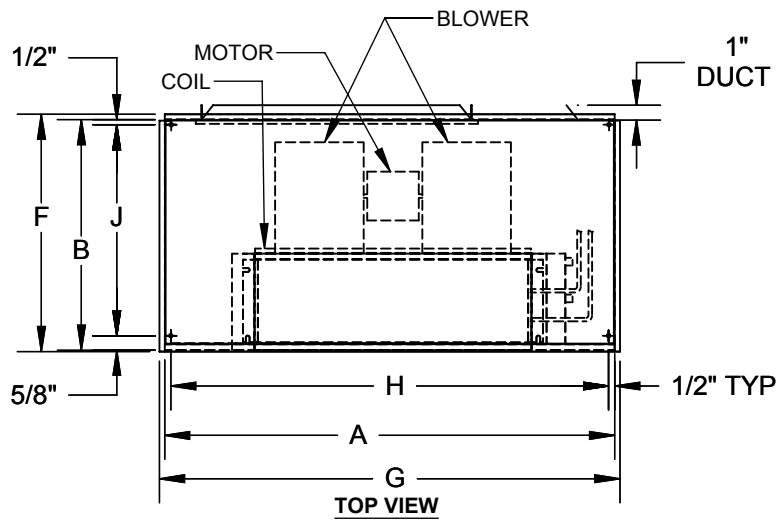
MODEL	A	B	C	D	E	F	G	H	J	K	BLOWER QTY	FILTER SIZE
200-300	52 1/2	27	11	6 3/8	19 1/8	27 3/4	53 1/2	49 1/2	24 1/8	19 3/4	1	(2) 11x20x1
400	52 1/2	27	11	6 3/8	25 1/8	27 3/4	53 1/2	49 1/2	24 1/8	16 11/16	2	(2) 11x20x1
600	60 1/2	27	12	6 3/8	31 1/8	27 3/4	61 1/2	61 1/2	24 1/8	17 11/16	2	(2) 11x24x1
800	60 1/2	27	12	7 5/8	31 1/8	27 3/4	61 1/2	61 1/2	24 1/8	17 11/16	2	(2) 11x24x1
1000	66 1/2	27	12	7 5/8	37 1/8	27 3/4	67 1/2	63 1/2	24 1/8	17 11/16	2	(2) 11x27x1
1200	66 1/2	27	12	7 5/8	43 1/8	27 3/4	67 1/5	63 1/2	24 1/8	14 11/16	2	(2) 11x27x1

FRONT DUCTED BOTTOM STAMPED
FLUSH
REV A

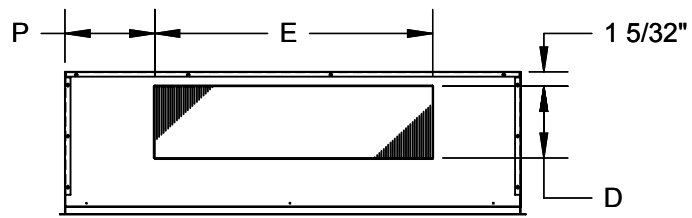
D107678



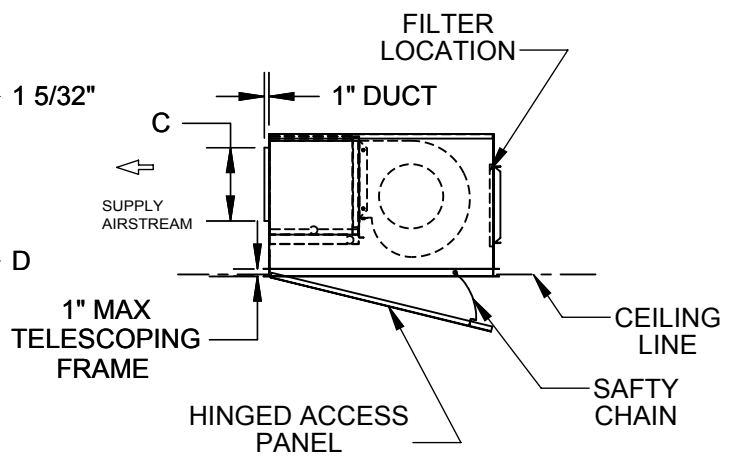
REAR VIEW



TOP VIEW



FRONT VIEW



6\"/>

RIGHT HAND SHOWN

MODEL	A	B	C	D	E	F	G	H	J	K	L	M	N	P	FILTER SIZE
LH 002-003	52 1/2	27	11	6 3/8	19 1/8	27 3/4	53 1/2	49 1/2	25 1/8	8 1/2	29	2 1/2	7	19 3/4	(1) 8x30x1
400	52 1/2	27	11	6 3/8	25 1/8	27 3/4	53 1/2	49 1/2	24 1/8	8 1/2	29	2 1/2	7	16 11/16	(1) 8x30x1
600	60 1/2	27	12	6 3/8	31 1/8	27 3/4	61 1/2	57 1/2	24 1/8	8 1/2	39	2 1/2	7	17 11/16	(2) 8x40x1
800	60 1/2	27	12	7 5/8	31 1/8	27 3/4	61 1/2	57 1/2	24 1/8	8 1/2	39	2 1/2	7	17 11/16	(2) 8x20x1
1000	66 1/2	27	12	7 5/8	37 1/8	27 3/4	67 1/2	63 1/2	24 1/8	8	49	2 1/2	7	17 11/16	(2) 8x25x1
1200	66 1/2	27	12	7 5/8	43 1/8	27 3/4	67 1/2	63 1/2	24 1/8	8	49	2 1/2	7	14 11/16	(2) 8x25x1

FRONT DUCTED REAR RETURN
 FLUSH
 REV A

D107624

2
1

DEPTH

4X Ø.500 MOUNTING HOLES

1.000

D

2.000

4.000

COIL CONNECTION KNOCK OUTS

1.250

ELECTRICAL CONNECTION KNOCK OUTS

4.312

DRAIN CONNECTION KNOCK OUTS

2.000

2.737

4.000

C

1.500 TYP

1.500 TYP

E

TOP VIEW

REAR VIEW

LENGTH

C

A

B

HEIGHT

1" MAX ADJUSTABLE FRAME

1.044 TYP

FRONT VIEW

CEILING LINE

HINGED ACCESS PANEL

SIDE VIEW

.589

6" OPPOSITE CABINET EXTENSION

OVERALL				SUPPLY DUCT			FRAME		RIGHT HAND SHOWN	
UNIT SIZE	LENGTH	HEIGHT	DEPTH	A	B	C	D	E	BLOWERS	FILTER SIZE
002-003	52.5	11	27	18.25	6.38	20.13	53.5	27.75	1	(2) 11x20x1
004	52.5	11	27	24.25	6.38	17.13	53.5	27.75	2	(2) 11x20x1
006	60.5	11	27	32.25	6.38	17.13	61.5	27.75	2	(2) 11x24x1
008	60.5	13	27	32.25	8	17.13	61.5	27.75	2	(2) 11x24x1
010	74.5	13	27	38.25	8	21.13	75.5	27.75	2	(2) 11x27x1
012	74.5	13	27	46.25	8	17.13	75.5	27.75	2	(2) 11x27x1

PROPRIETARY AND CONFIDENTIAL
THE INFORMATION CONTAINED IN THIS DOCUMENT IS THE SOLE PROPERTY OF WILLIAMS FURNACE COMPANY. ANY REPRODUCTION IN PART OR AS A WHOLE WITHOUT THE WRITTEN PERMISSION OF WILLIAMS FURNACE COMPANY IS PROHIBITED.

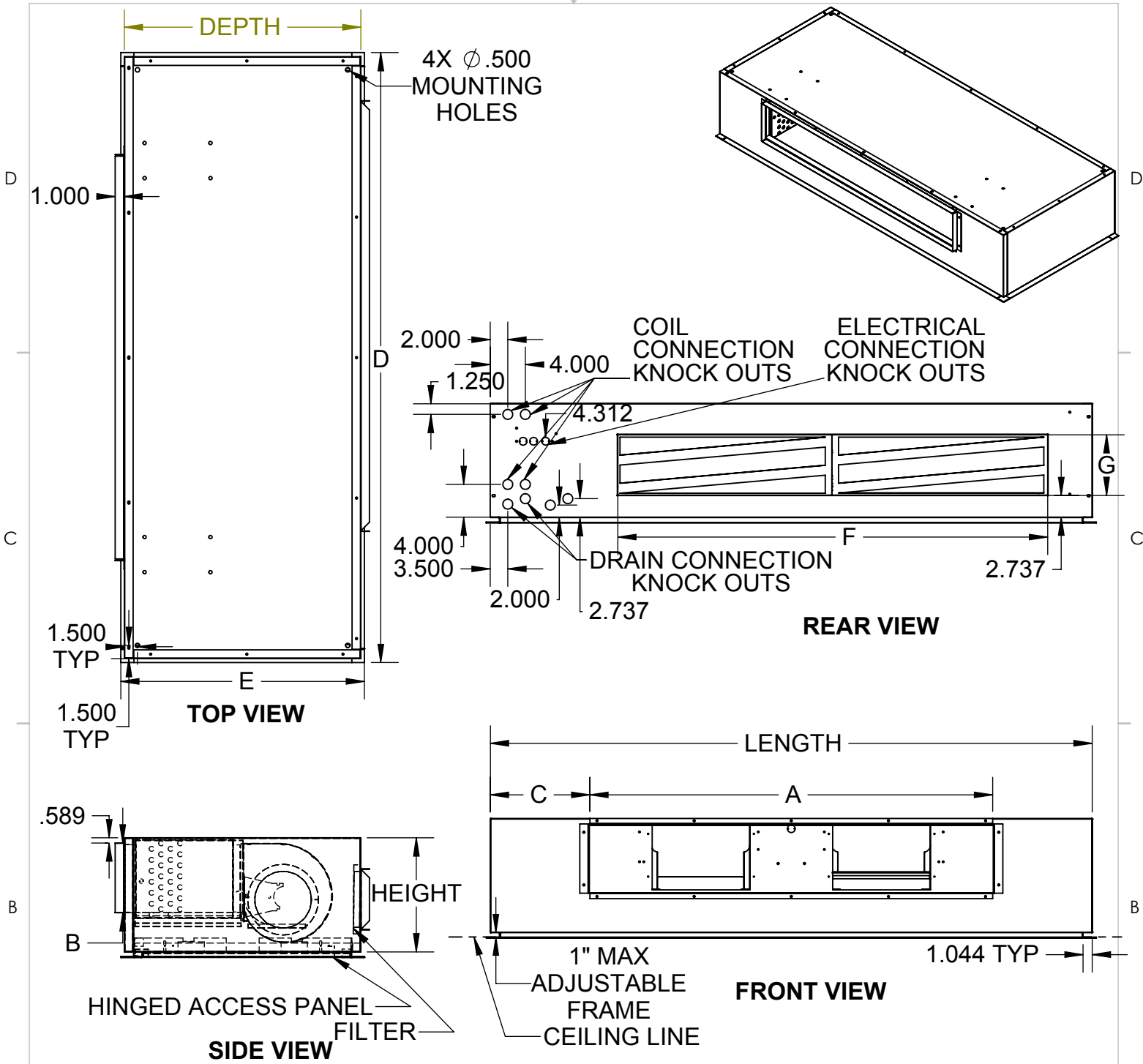
TITLE:
LH.Flush
Unit Revision Level B

DWG. NO. D107641
REV B

DRAWING NOT TO SCALE

2
1

SHEET 1 OF 1



RIGHT HAND SHOWN

6" OPPOSITE CABINET EXTENSION

OVERALL				SUPPLY DUCT			FRAME		RETURN DUCT		BLOWERS	FILTER SIZE
UNIT SIZE	LENGTH	HEIGHT	DEPTH	A	B	C	D	E	F	G		
002-003	52.5	11	27	18.25	6.38	20.13	53.5	27.75	29	7	1	(1) 8x30x1
004	52.5	11	27	24.25	6.38	17.13	53.5	27.75	29	7	2	(1) 8x30x1
006	60.5	11	27	32.25	6.38	17.13	61.5	27.75	39	7	2	(2) 8x20x1
008	60.5	13	27	32.25	8	17.13	61.5	27.75	39	9	2	(2) 8x20x1
010	74.5	13	27	38.25	8	21.13	75.5	27.75	49	9	2	(2) 8x25x1
012	74.5	13	27	46.25	8	17.13	75.5	27.75	49	9	2	(2) 8x25x1

PROPRIETARY AND CONFIDENTIAL
 THE INFORMATION CONTAINED IN THIS DOCUMENT IS THE SOLE PROPERTY OF THE MANUFACTURER. ANY REPRODUCTION IN PART OR AS A WHOLE WITHOUT WRITTEN PERMISSION IS PROHIBITED.

TITLE:

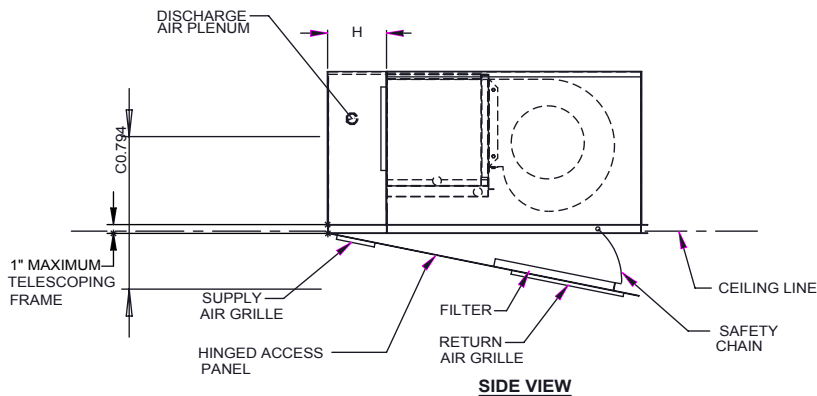
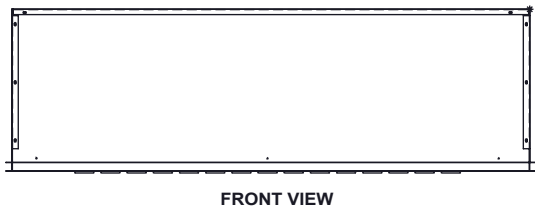
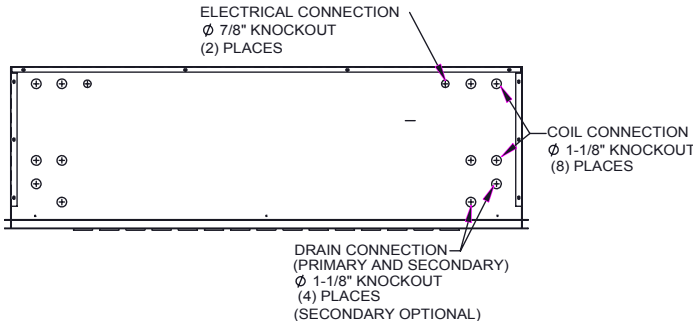
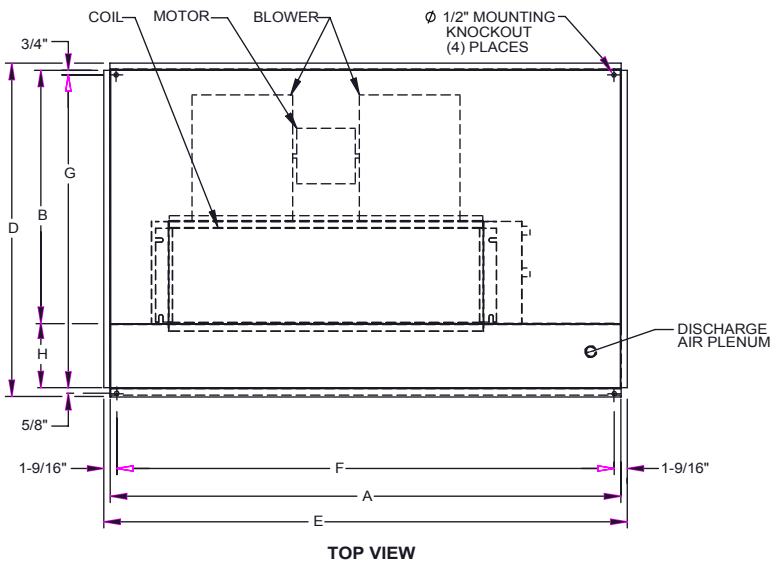
LH.Flush
 Unit Revision Level B

DWG. NO.
 D107571

REV
 B

DRAWING NOT TO SCALE

LH02/12 FLUSH, TYPE "E" WITH BOTTOM SUPPLY AND BOTTOM RETURN



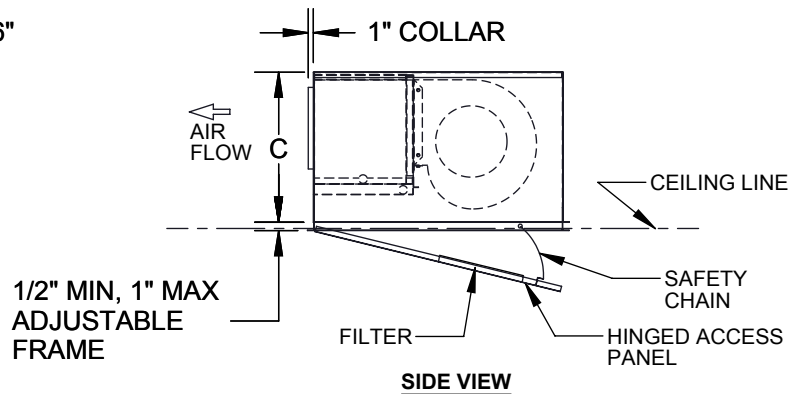
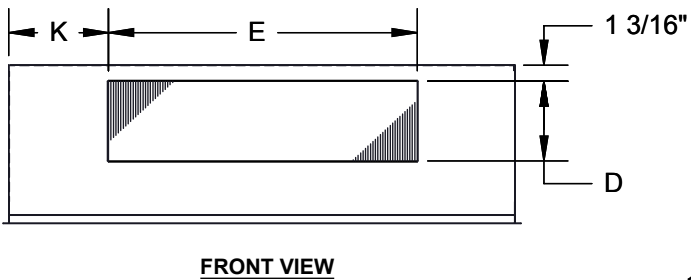
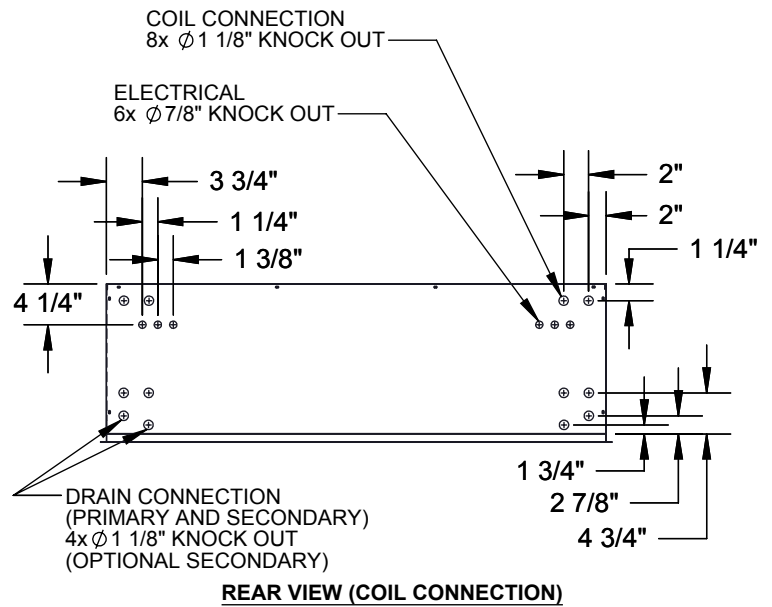
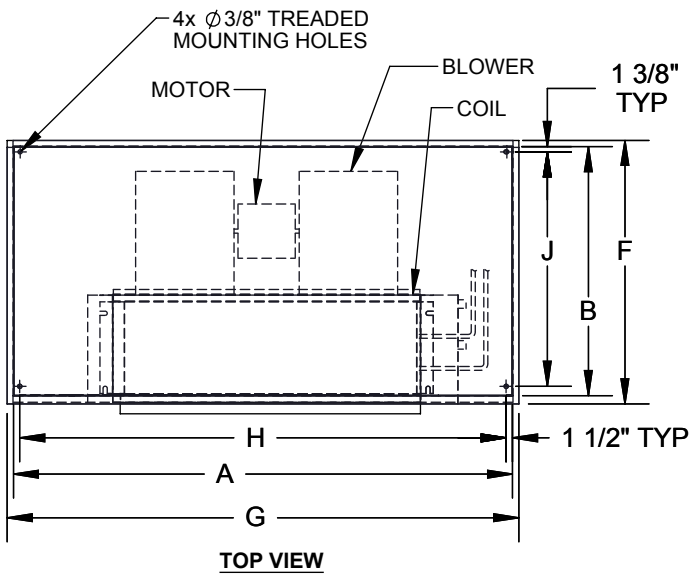
8" CABINET EXTENSION

RIGHT HAND SHOWN

LH-E MODEL	LH-E FLUSH MOUNTED CABINET DIMENSIONS								
	A	B	C	D	E	F	G	H	FILTER SIZE
02/03	54	25 7/8	11	39 3/8	55 3/8	52 1/4	37 1/8	12	12" x 20" x 1"
04	54	25 7/8	11	39 3/8	55 3/8	52 1/4	37 1/8	12	12" x 20" x 1"
06	62	25 7/8	12	39 3/8	63 3/8	60 1/4	37 1/8	12	12" x 25" x 1"
08	62	25 7/8	12	45 3/8	63 3/8	60 1/4	43 1/8	18	12" x 25" x 1"
10	68	25 7/8	12	45 3/8	69 3/8	66 1/4	43 1/8	18	12" x 25" x 1"
12	68	25 7/8	12	45 3/8	69 3/8	66 1/4	43 1/8	18	12" x 25" x 1"

BOTTOM STAMPED REV A

D107584



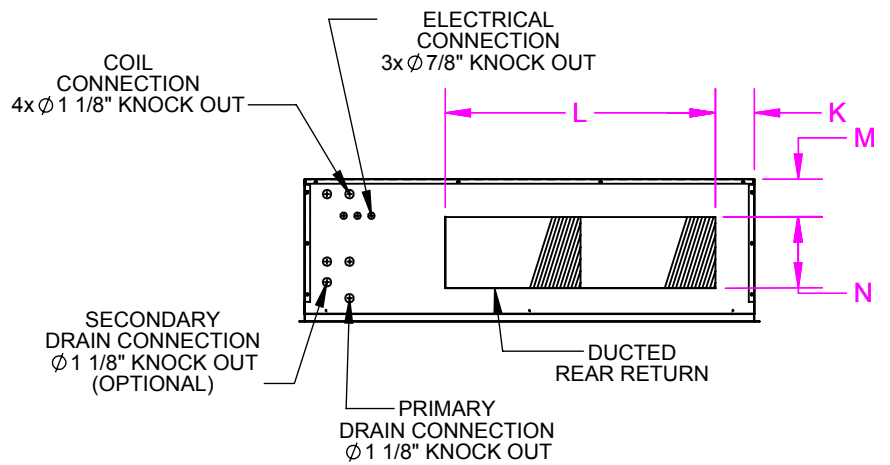
8" HANDED & 6" OPPOSITE CABINET EXTENTION & EXTENDED DRAIN PAN

RIGHT HAND SHOWN

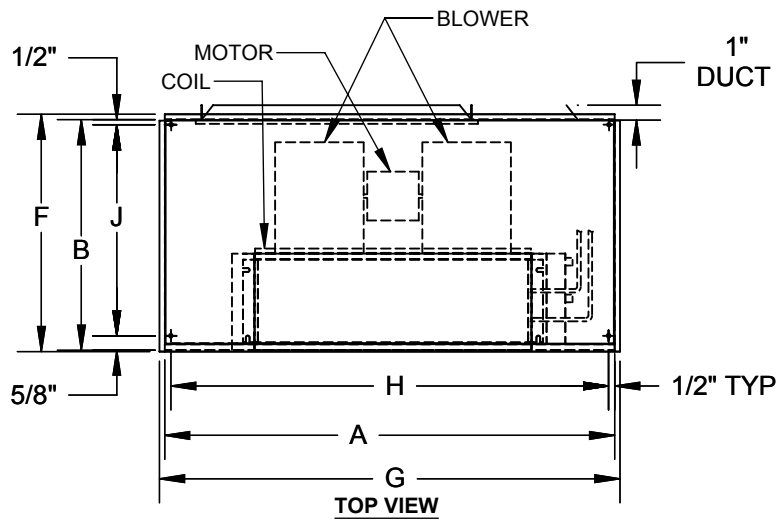
MODEL	A	B	C	D	E	F	G	H	J	K	BLOWER QTY	FILTER SIZE
200-300	60 1/2	27	11	6 3/8	19 1/8	27 3/4	61 1/2	57 1/2	24 1/8	19 3/4	1	(2) 11x20x1
400	60 1/2	27	11	6 3/8	25 1/8	27 3/4	61 1/2	57 1/2	24 1/8	16 11/16	2	(2) 11x20x1
600	68 1/2	27	12	6 3/8	31 1/8	27 3/4	69 1/2	69 1/2	24 1/8	17 11/16	2	(2) 11x24x1
800	68 1/2	27	12	7 5/8	31 1/8	27 3/4	69 1/2	69 1/2	24 1/8	17 11/16	2	(2) 11x24x1
1000	74 1/2	27	12	7 5/8	37 1/8	27 3/4	75 1/2	71 1/2	24 1/8	17 11/16	2	(2) 11x27x1
1200	74 1/2	27	12	7 5/8	43 1/8	27 3/4	75 1/5	71 1/2	24 1/8	14 11/16	2	(2) 11x27x1

BOTTOM STAMPED
LH-FLUSH
REV A

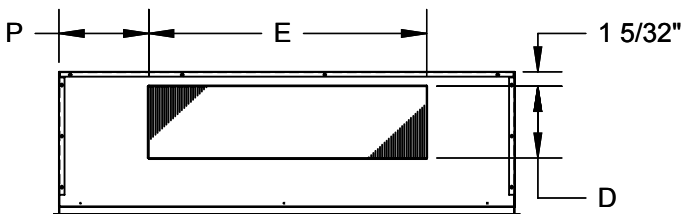
D107684



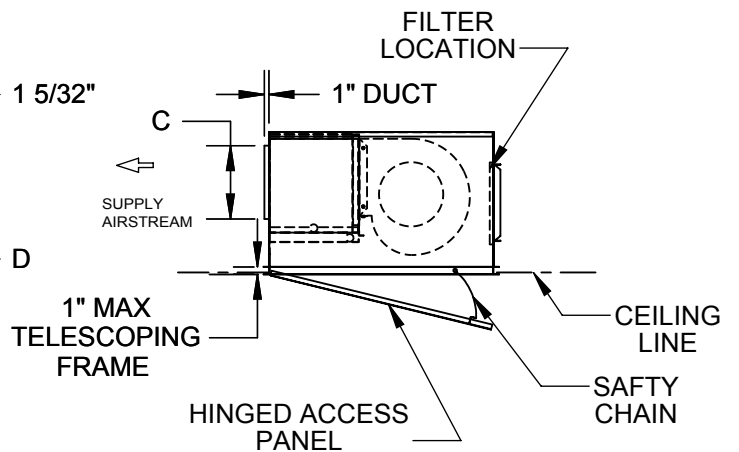
REAR VIEW



TOP VIEW



FRONT VIEW



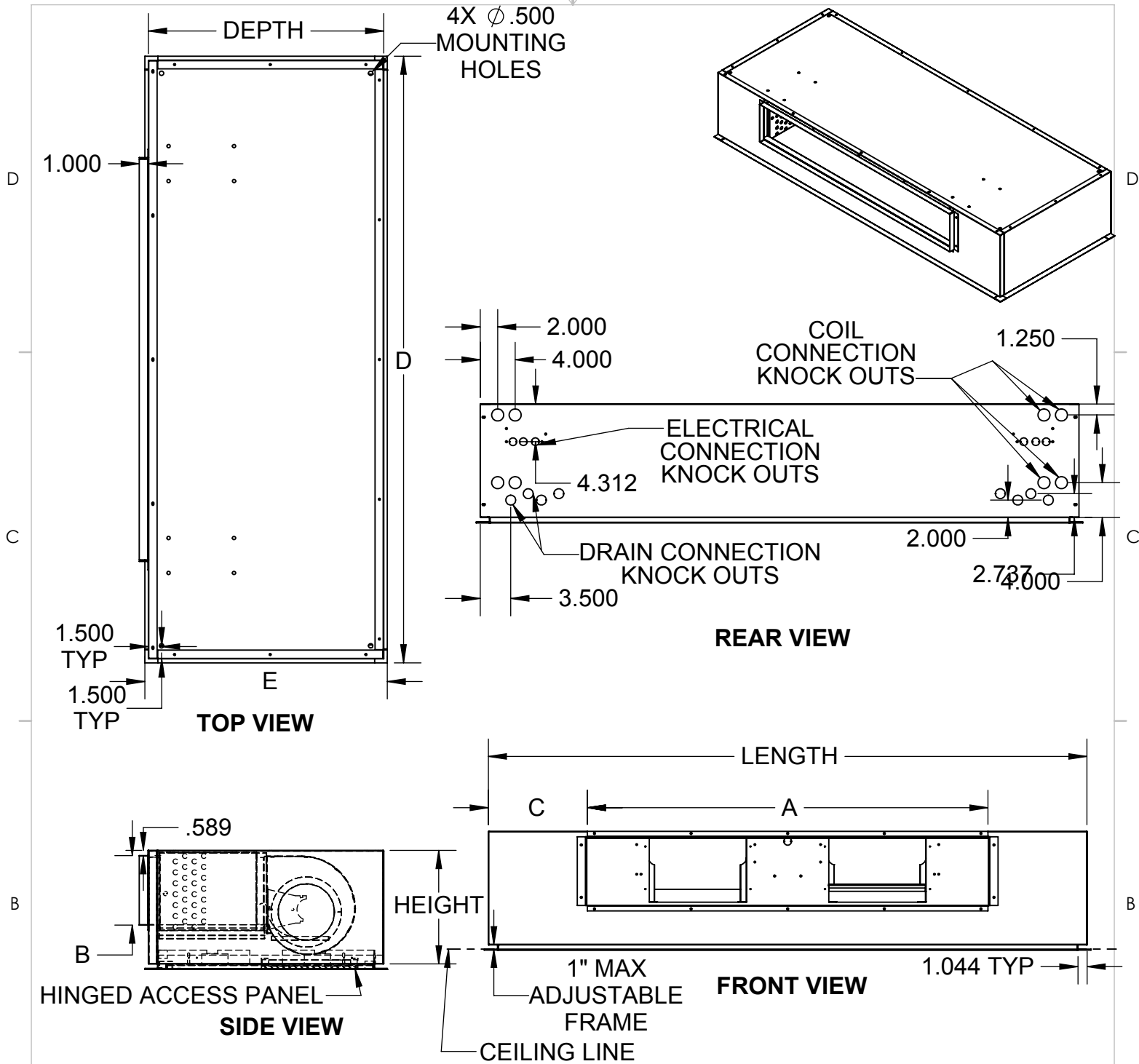
8" HANDED & 6" OPPOSITE CABINET EXTENTION & EXTENDED DRAIN PAN

RIGHT HAND SHOWN

MODEL	A	B	C	D	E	F	G	H	J	K	L	M	N	P	FILTER SIZE
LH 002-003	60 1/2	27	11	6 3/8	19 1/8	27 3/4	61 1/2	57 1/2	25 1/8	8 1/2	29	2 1/2	7	19 3/4	(1) 8x30x1
400	60 1/2	27	11	6 3/8	25 1/8	27 3/4	61 1/2	57 1/2	24 1/8	8 1/2	29	2 1/2	7	16 11/16	(1) 8x30x1
600	68 1/2	27	12	6 3/8	31 1/8	27 3/4	69 1/2	65 1/2	24 1/8	8 1/2	39	2 1/2	7	17 11/16	(2) 8x40x1
800	68 1/2	27	12	7 5/8	31 1/8	27 3/4	69 1/2	65 1/2	24 1/8	8 1/2	39	2 1/2	7	17 11/16	(2) 8x20x1
1000	74 1/2	27	12	7 5/8	37 1/8	27 3/4	75 1/2	71 1/2	24 1/8	8	49	2 1/2	7	17 11/16	(2) 8x25x1
1200	74 1/2	27	12	7 5/8	43 1/8	27 3/4	75 1/2	71 1/2	24 1/8	8	49	2 1/2	7	14 11/16	(2) 8x25x1

FRONT DUCTED REAR RETURN
 FLUSH
 REV A

D107630



8" HANDED & 6" OPPOSITE CABINET EXTENTION & EXTENDED DRAIN PAN

OVERALL				SUPPLY DUCT			FRAME		RIGHT HAND SHOWN	
UNIT SIZE	LENGTH	HEIGHT	DEPTH	A	B	C	D	E	BLOWERS	FILTER SIZE
002-003	60.5	11	27	18.25	6.38	20.13	61.5	27.75	1	(2) 11x20x1
004	60.5	11	27	24.25	6.38	17.13	61.5	27.75	2	(2) 11x20x1
006	68.5	11	27	32.25	6.38	17.13	69.5	27.75	2	(2) 11x24x1
008	68.5	13	27	32.25	8	17.13	69.5	27.75	2	(2) 11x24x1
010	82.5	13	27	38.25	8	21.13	83.5	27.75	2	(2) 11x27x1
012	82.5	13	27	46.25	8	17.13	83.5	27.75	2	(2) 11x27x1

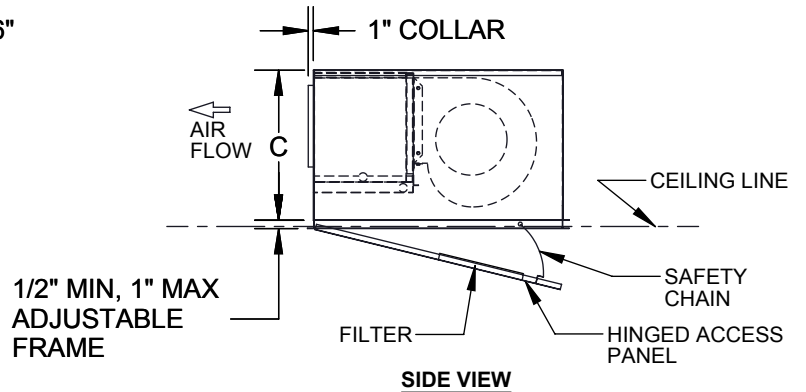
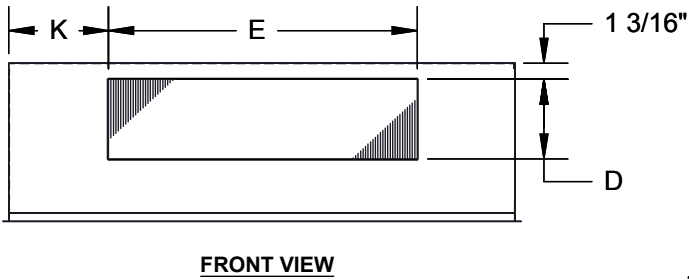
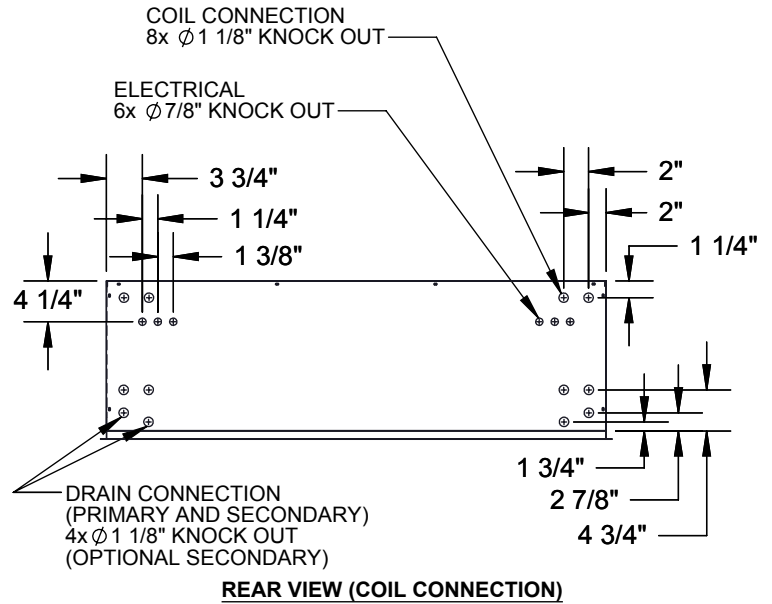
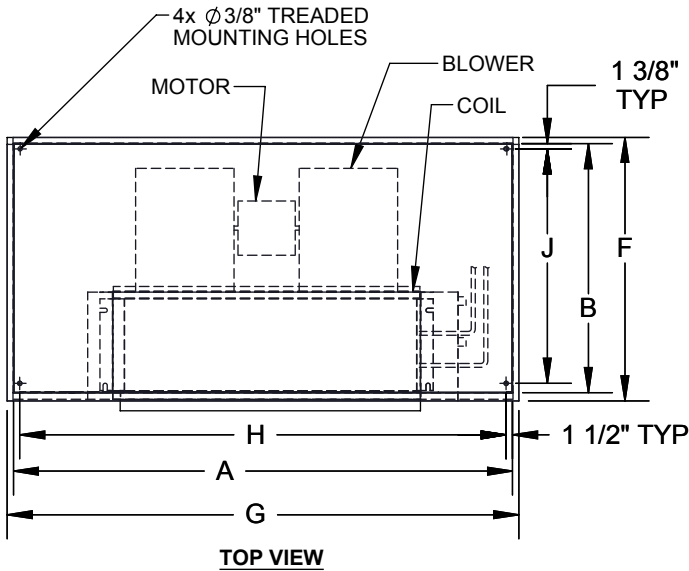
PROPRIETARY AND CONFIDENTIAL
 THE INFORMATION CONTAINED IN THIS DOCUMENT IS THE SOLE
 PROPERTY OF WILLIAMS FURNACE COMPANY. ANY REPRODUCTION
 IN PART OR AS A WHOLE WITHOUT THE WRITTEN PERMISSION OF
 WILLIAMS FURNACE COMPANY IS PROHIBITED.

TITLE:
 LH.Flush
 Unit Revision Level B

DWG. NO.
 D107647

REV
 B

DRAWING NOT TO SCALE



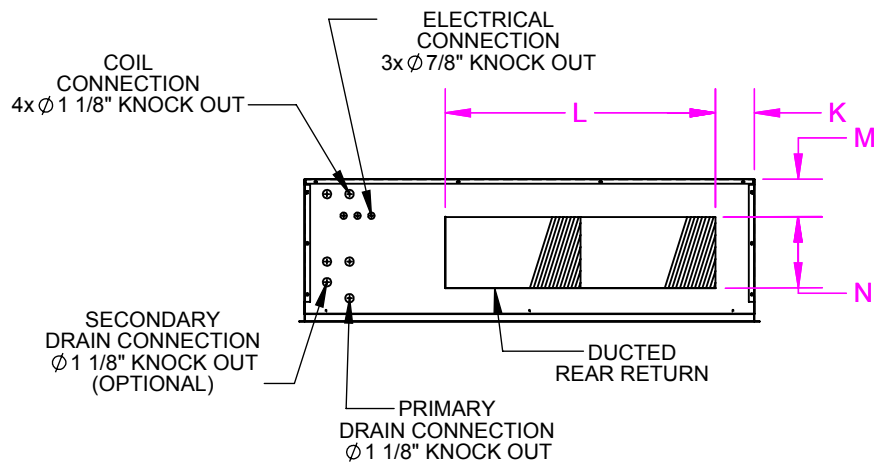
8" HANDED & 8" OPPOSITE CABINET EXTENSION & EXTENDED DRAIN PAN

RIGHT HAND SHOWN

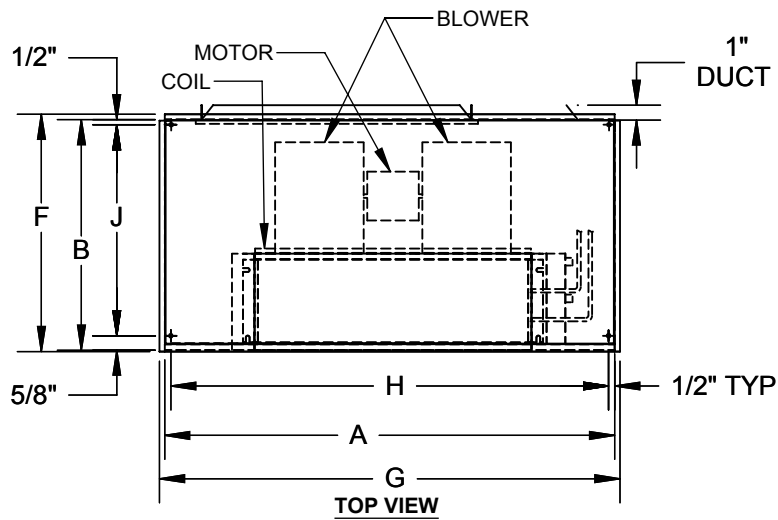
MODEL	A	B	C	D	E	F	G	H	J	K	BLOWER QTY	FILTER SIZE
200-300	62 1/2	27	11	6 3/8	19 1/8	27 3/4	63 1/2	59 1/2	24 1/8	21 3/4	1	(2) 11x20x1
400	62 1/2	27	11	6 3/8	25 1/8	27 3/4	63 1/2	59 1/2	24 1/8	18 11/16	2	(2) 11x20x1
600	70 1/2	27	12	6 3/8	31 1/8	27 3/4	71 1/2	71 1/2	24 1/8	19 11/16	2	(2) 11x24x1
800	70 1/2	27	12	7 5/8	31 1/8	27 3/4	71 1/2	71 1/2	24 1/8	19 11/16	2	(2) 11x24x1
1000	76 1/2	27	12	7 5/8	37 1/8	27 3/4	77 1/2	73 1/2	24 1/8	19 11/16	2	(2) 11x27x1
1200	76 1/2	27	12	7 5/8	43 1/8	27 3/4	77 1/5	73 1/2	24 1/8	16 11/16	2	(2) 11x27x1

FRONT DUCTED BOTTOM STAMPED
FLUSH
REV A

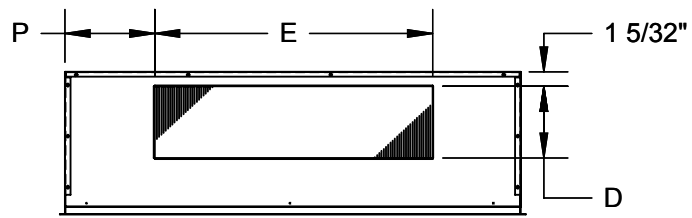
D107685



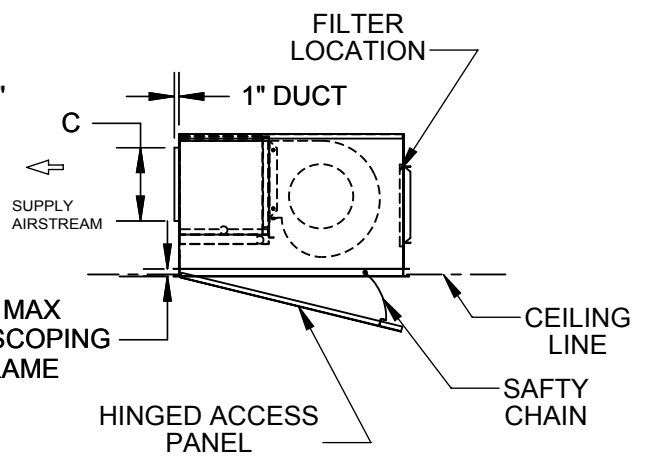
REAR VIEW



TOP VIEW



FRONT VIEW



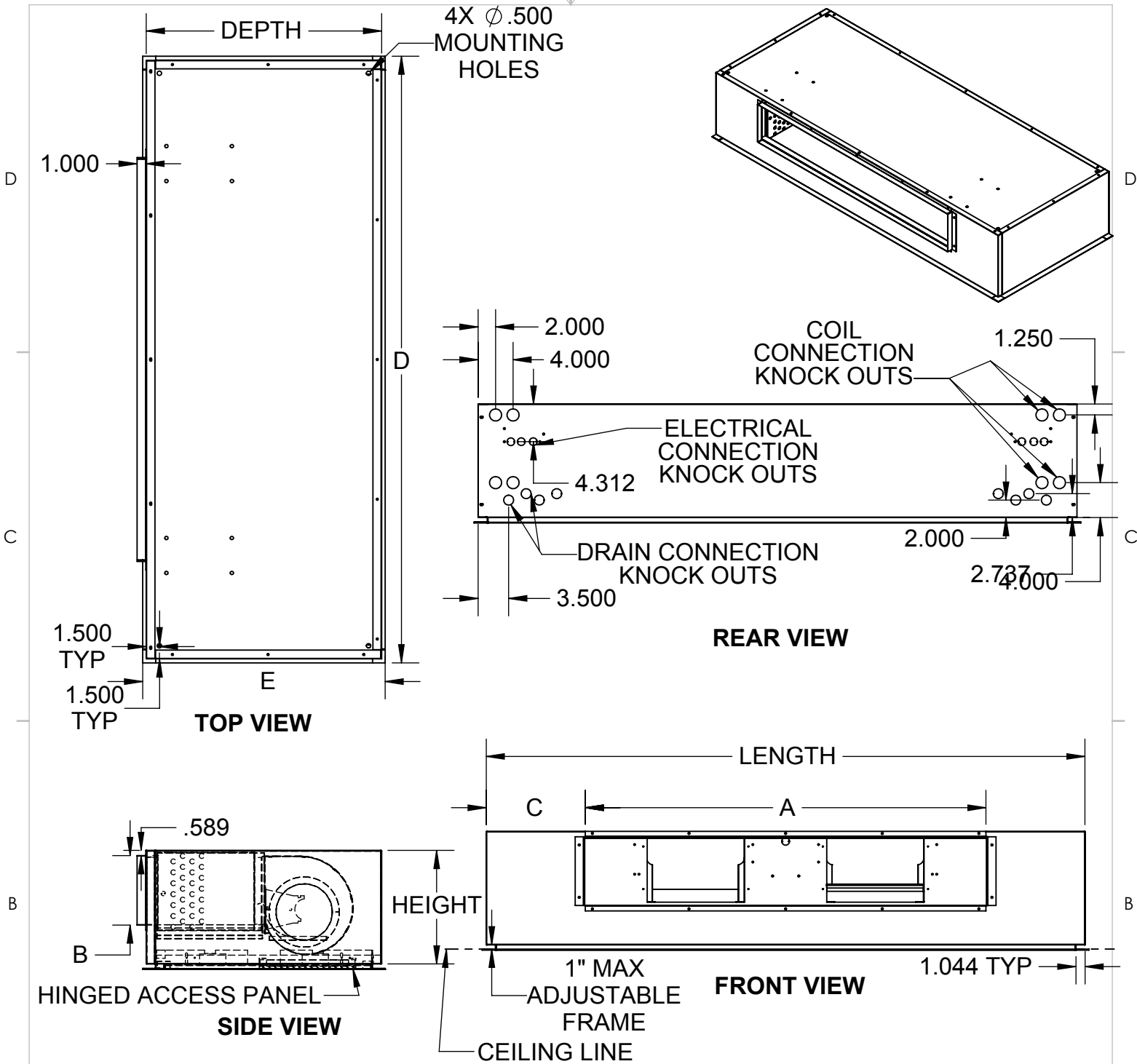
8" HANDED & 8" OPPOSITE CABINET EXTENTION & EXTENDED DRAIN PAN

RIGHT HAND SHOWN

MODEL	A	B	C	D	E	F	G	H	J	K	L	M	N	P	FILTER SIZE
LH 002-003	62 1/2	27	11	6 3/8	19 1/8	27 3/4	63 1/2	59 1/2	24 1/8	10 1/2	29	2 1/2	7	21 3/4	(1) 8x30x1
400	62 1/2	27	11	6 3/8	25 1/8	27 3/4	63 1/2	59 1/2	24 1/8	10 1/2	29	2 1/2	7	18 11/16	(1) 8x30x1
600	70 1/2	27	12	6 3/8	31 1/8	27 3/4	71 1/2	67 1/2	24 1/8	10 1/2	39	2 1/2	7	19 11/16	(2) 8x40x1
800	70 1/2	27	12	7 5/8	31 1/8	27 3/4	71 1/2	67 1/2	24 1/8	10 1/2	39	2 1/2	7	19 11/16	(2) 8x20x1
1000	76 1/2	27	12	7 5/8	37 1/8	27 3/4	77 1/2	73 1/2	24 1/8	10	49	2 1/2	7	19 11/16	(2) 8x25x1
1200	76 1/2	27	12	7 5/8	43 1/8	27 3/4	77 1/2	73 1/2	24 1/8	10	49	2 1/2	7	16 11/16	(2) 8x25x1

FRONT DUCTED REAR RETURN
 FLUSH
 REV A

D107631



8" HANDED & 8" OPPOSITE CABINET EXTENTION & EXTENDED DRAIN PAN

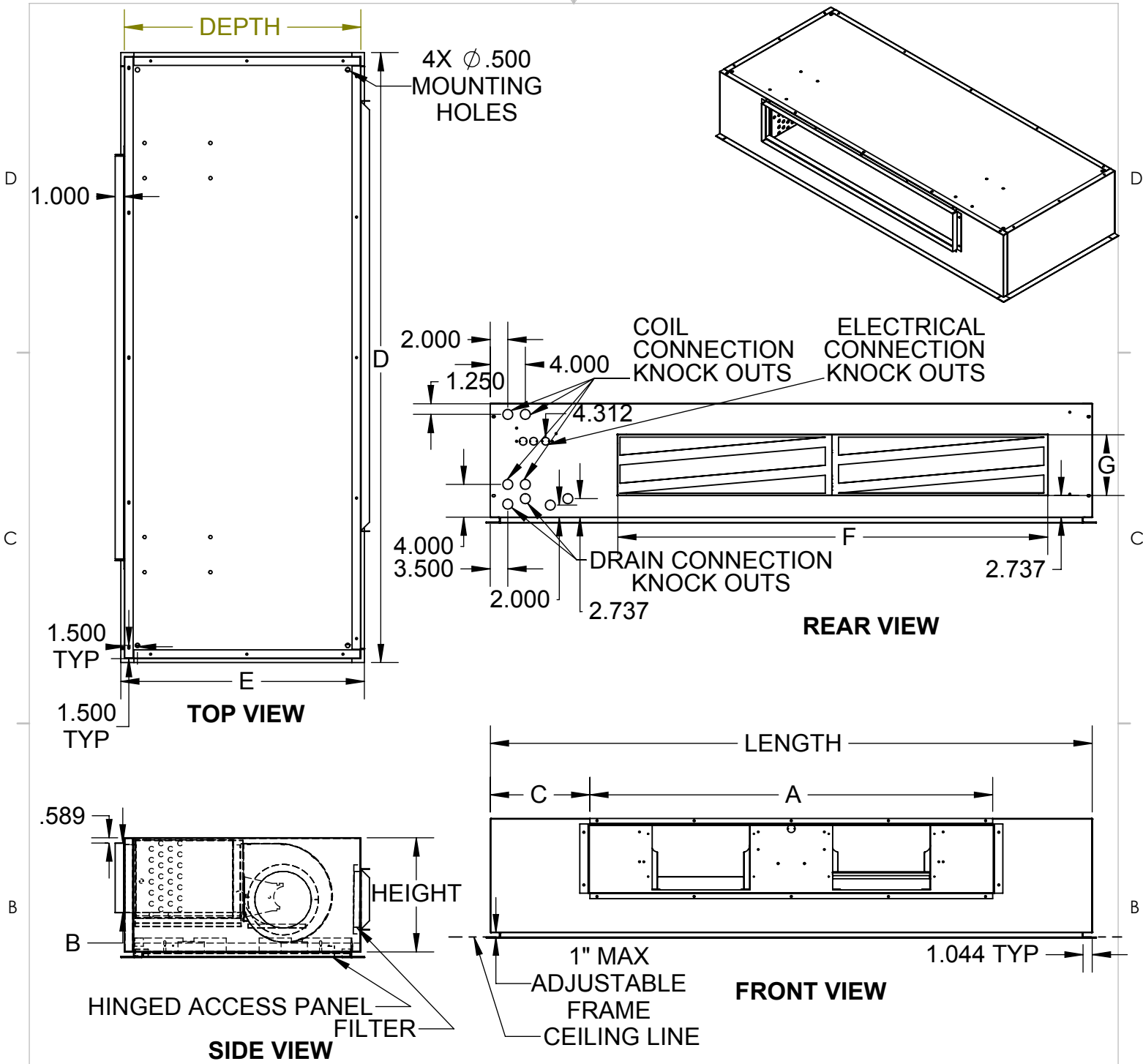
OVERALL				SUPPLY DUCT			FRAME		RIGHT HAND SHOWN	
UNIT SIZE	LENGTH	HEIGHT	DEPTH	A	B	C	D	E	BLOWERS	FILTER SIZE
002-003	62.5	11	27	18.25	6.38	22.13	63.5	27.75	1	(2) 11x20x1
004	62.5	11	27	24.25	6.38	19.13	63.5	27.75	2	(2) 11x20x1
006	70.5	11	27	32.25	6.38	19.13	71.5	27.75	2	(2) 11x24x1
008	70.5	13	27	32.25	8	19.13	71.5	27.75	2	(2) 11x24x1
010	84.5	13	27	38.25	8	23.13	85.5	27.75	2	(2) 11x27x1
012	84.5	13	27	46.25	8	19.13	85.5	27.75	2	(2) 11x27x1

PROPRIETARY AND CONFIDENTIAL
 THE INFORMATION CONTAINED IN THIS DOCUMENT IS THE SOLE PROPERTY OF WILLIAMS FURNACE COMPANY. ANY REPRODUCTION IN PART OR AS A WHOLE WITHOUT THE WRITTEN PERMISSION OF WILLIAMS FURNACE COMPANY IS PROHIBITED.

TITLE:
 LH.Flush
 Unit Revision Level B

DWG. NO. D107648
 REV B

DRAWING NOT TO SCALE



RIGHT HAND SHOWN

8" HANDED & 8" OPPOSITE CABINET EXTENSION & EXTENDED DRAIN PAN

OVERALL				SUPPLY DUCT			FRAME		RETURN DUCT		BLOWERS	FILTER SIZE
UNIT SIZE	LENGTH	HEIGHT	DEPTH	A	B	C	D	E	F	G		
002-003	62.5	11	27	18.25	6.38	22.13	63.5	27.75	29	7	1	(1) 8x30x1
004	62.5	11	27	24.25	6.38	19.13	63.5	27.75	29	7	2	(1) 8x30x1
006	70.5	11	27	32.25	6.38	19.13	71.5	27.75	39	7	2	(2) 8x20x1
008	70.5	13	27	32.25	8	19.13	71.5	27.75	39	9	2	(2) 8x20x1
010	84.5	13	27	38.25	8	23.13	85.5	27.75	49	9	2	(2) 8x25x1
012	84.5	13	27	46.25	8	19.13	85.5	27.75	49	9	2	(2) 8x25x1

PROPRIETARY AND CONFIDENTIAL
 THE INFORMATION CONTAINED IN THIS DOCUMENT IS THE SOLE PROPERTY OF THE MANUFACTURER. ANY REPRODUCTION IN PART OR AS A WHOLE WITHOUT WRITTEN PERMISSION IS PROHIBITED.

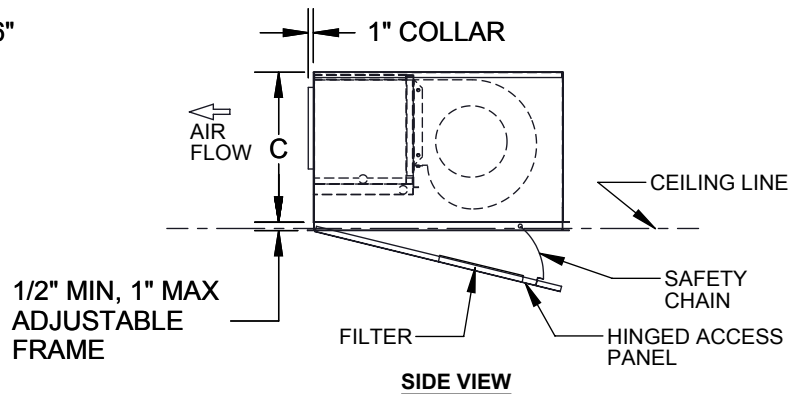
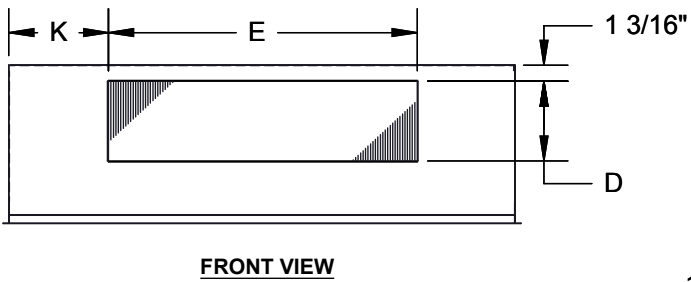
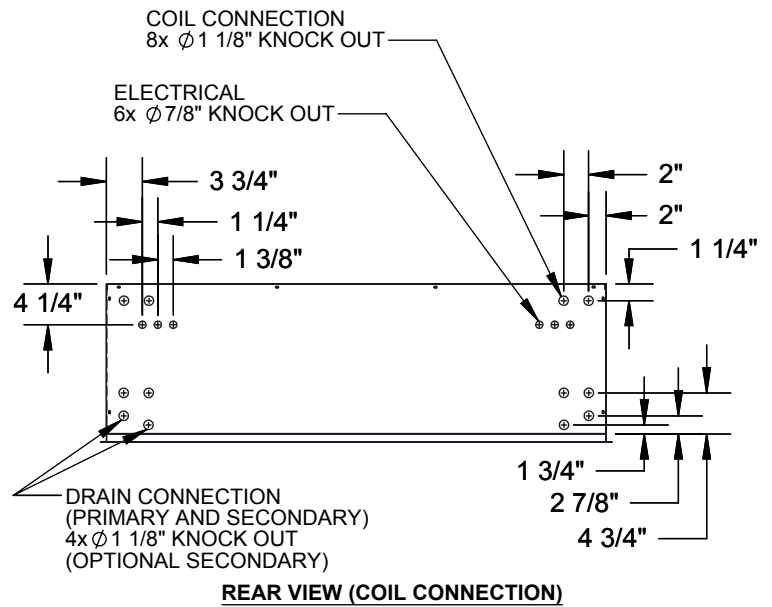
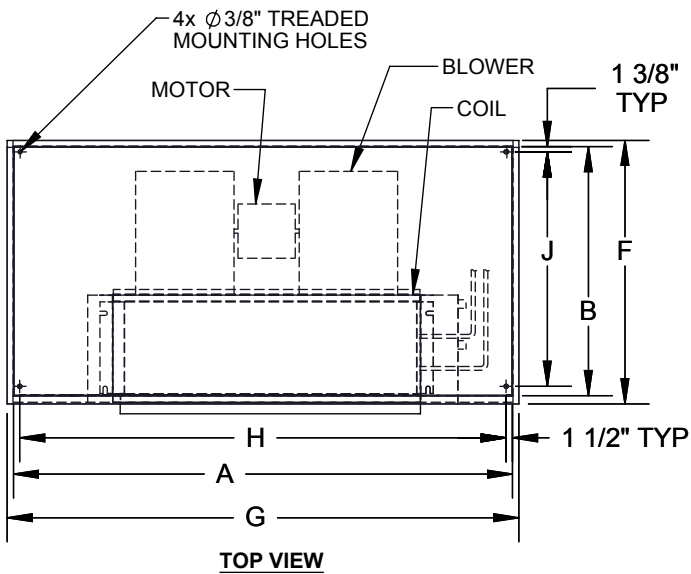
TITLE:

LH.Flush
 Unit Revision Level B

DWG. NO.
 D107577

REV
 B

DRAWING NOT TO SCALE



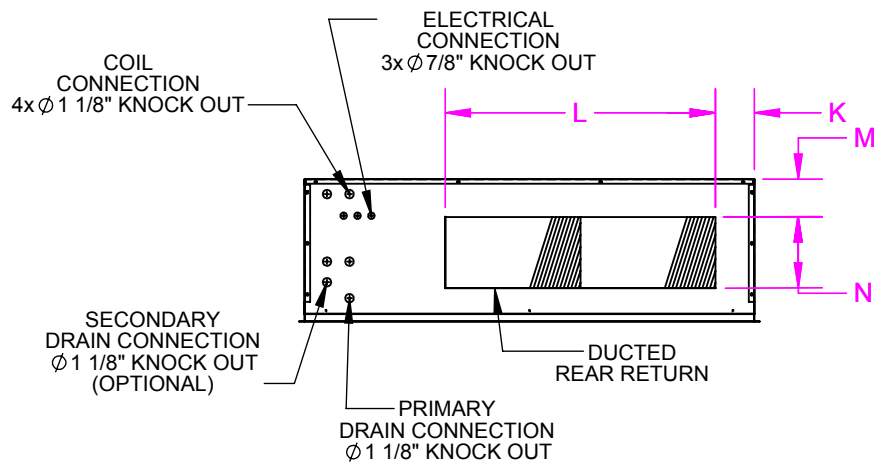
8" HANDED & 10" OPPOSITE CABINET EXTENTION & EXTENDED DRAIN PAN

RIGHT HAND SHOWN

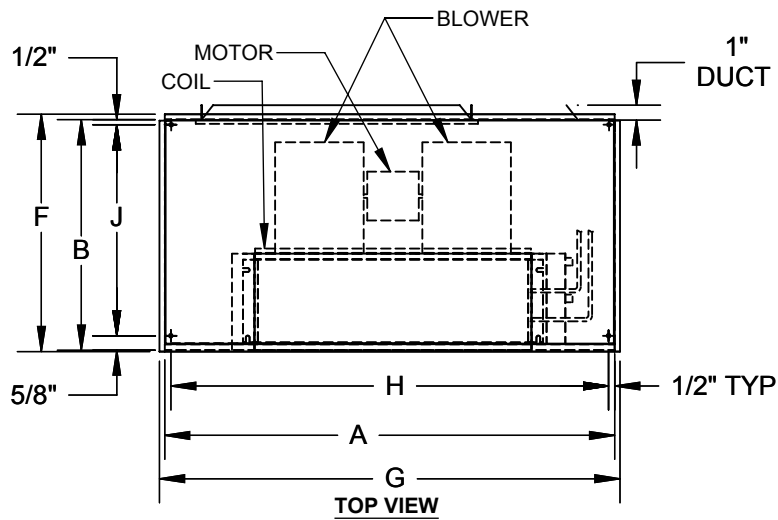
MODEL	A	B	C	D	E	F	G	H	J	K	BLOWER QTY	FILTER SIZE
200-300	64 1/2	27	11	6 3/8	19 1/8	27 3/4	65 1/2	61 1/2	24 1/8	23 3/4	1	(2) 11x20x1
400	64 1/2	27	11	6 3/8	25 1/8	27 3/4	65 1/2	61 1/2	24 1/8	20 11/16	2	(2) 11x20x1
600	72 1/2	27	12	6 3/8	31 1/8	27 3/4	73 1/2	73 1/2	24 1/8	21 11/16	2	(2) 11x24x1
800	72 1/2	27	12	7 5/8	31 1/8	27 3/4	73 1/2	73 1/2	24 1/8	21 11/16	2	(2) 11x24x1
1000	78 1/2	27	12	7 5/8	37 1/8	27 3/4	79 1/2	75 1/2	24 1/8	21 11/16	2	(2) 11x27x1
1200	78 1/2	27	12	7 5/8	43 1/8	27 3/4	79 1/5	75 1/2	24 1/8	18 11/16	2	(2) 11x27x1

BOTTOM STAMPED
LH-FLUSH
REV A

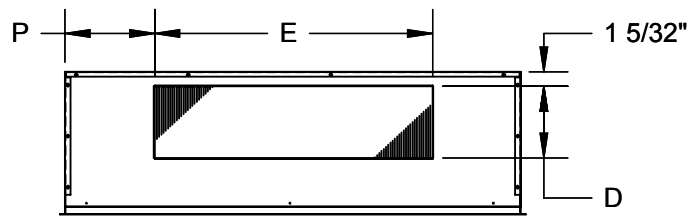
D107686



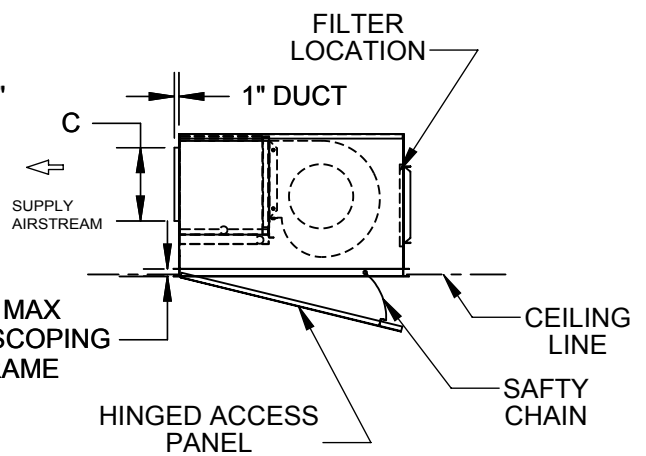
REAR VIEW



TOP VIEW



FRONT VIEW



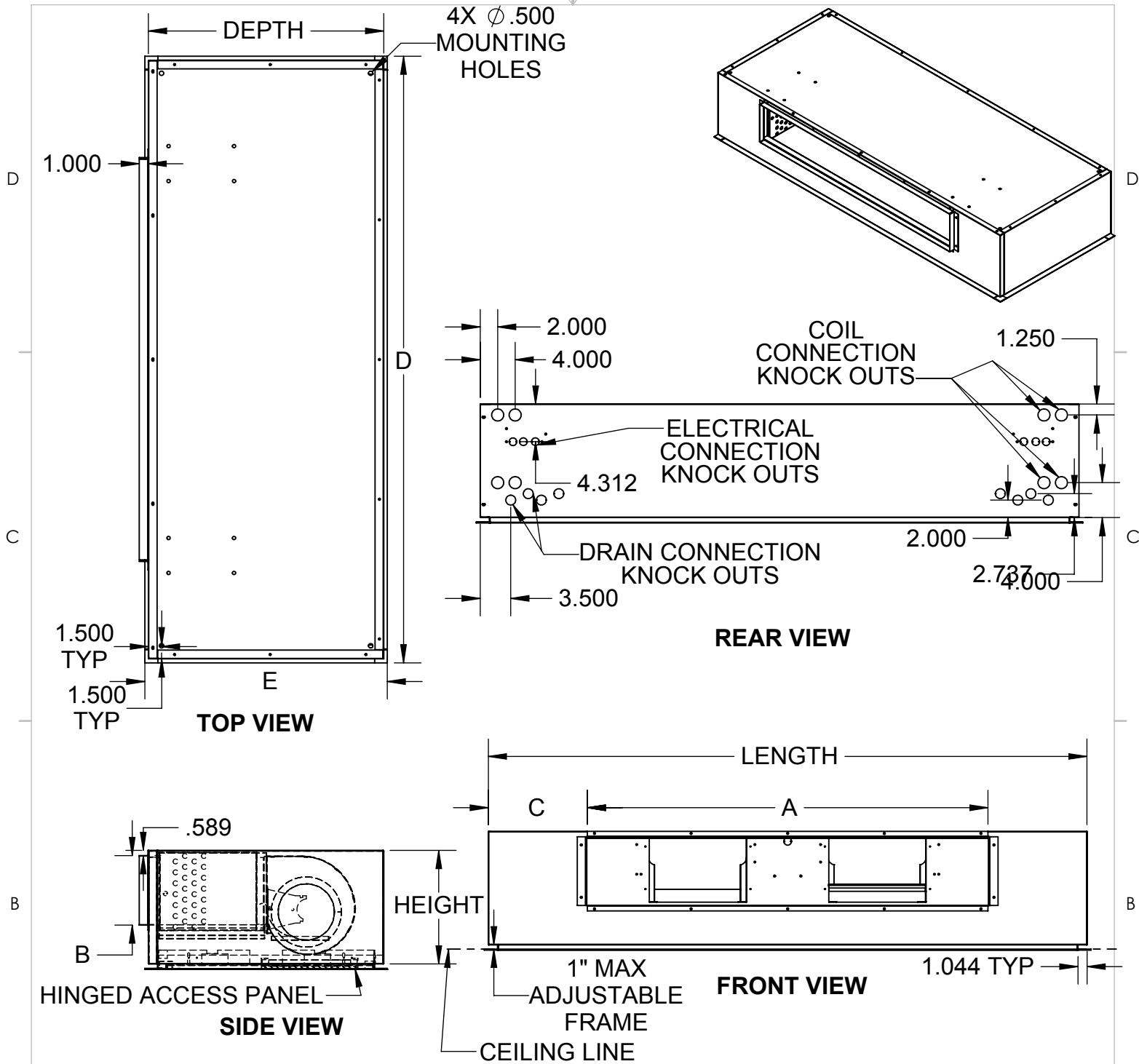
8" HANDED & 10" OPPOSITE CABINET EXTENTION & EXTENDED DRAIN PAN

RIGHT HAND SHOWN

MODEL	A	B	C	D	E	F	G	H	J	K	L	M	N	P	FILTER SIZE
LH 002-003	64 1/2	27	11	6 3/8	19 1/8	27 3/4	65 1/2	61 1/2	24 1/8	12 1/2	29	2 1/2	7	23 3/4	(1) 8x30x1
400	64 1/2	27	11	6 3/8	25 1/8	27 3/4	65 1/2	61 1/2	24 1/8	12 1/2	29	2 1/2	7	20 11/16	(1) 8x30x1
600	72 1/2	27	12	6 3/8	31 1/8	27 3/4	73 1/2	69 1/2	24 1/8	12 1/2	39	2 1/2	7	21 11/16	(2) 8x40x1
800	72 1/2	27	12	7 5/8	31 1/8	27 3/4	73 1/2	69 1/2	24 1/8	12 1/2	39	2 1/2	7	21 11/16	(2) 8x20x1
1000	78 1/2	27	12	7 5/8	37 1/8	27 3/4	79 1/2	75 1/2	24 1/8	12	49	2 1/2	7	21 11/16	(2) 8x25x1
1200	78 1/2	27	12	7 5/8	43 1/8	27 3/4	79 1/2	75 1/2	24 1/8	12	49	2 1/2	7	18 11/16	(2) 8x25x1

FRONT DUCTED REAR RETURN
 FLUSH
 REV A

D107632



8" HANDED & 10" OPPOSITE CABINET EXTENTION & EXTENDED DRAIN PAN

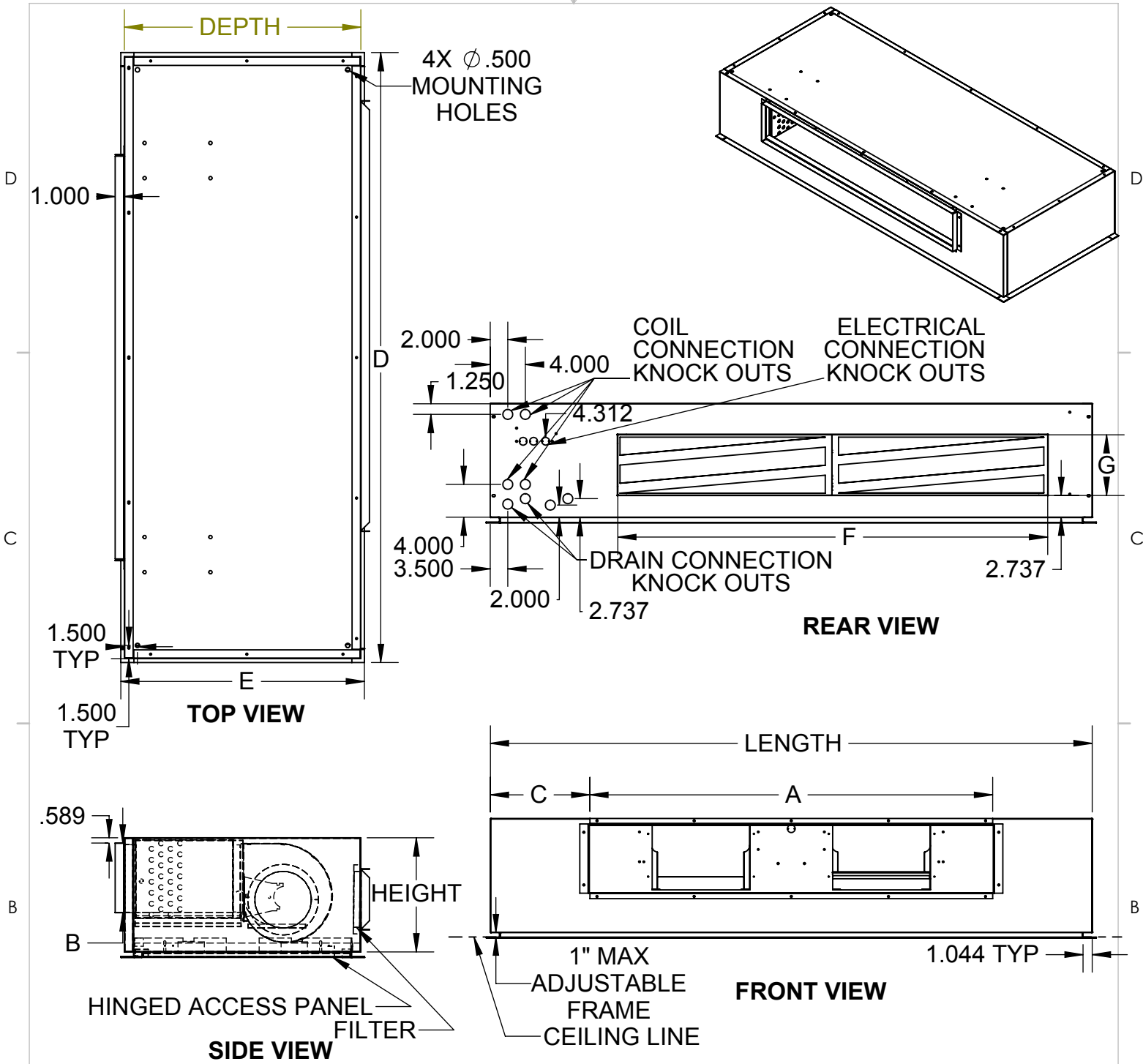
OVERALL				SUPPLY DUCT			FRAME			RIGHT HAND SHOWN	
UNIT SIZE	LENGTH	HEIGHT	DEPTH	A	B	C	D	E	BLOWERS	FILTER SIZE	
002-003	64.5	11	27	18.25	6.38	24.13	65.5	27.75	1	(2) 11x20x1	
004	64.5	11	27	24.25	6.38	21.13	65.5	27.75	2	(2) 11x20x1	
006	72.5	11	27	32.25	6.38	21.13	73.5	27.75	2	(2) 11x24x1	
008	72.5	13	27	32.25	8	21.13	73.5	27.75	2	(2) 11x24x1	
010	86.5	13	27	38.25	8	25.13	87.5	27.75	2	(2) 11x27x1	
012	86.5	13	27	46.25	8	21.13	87.5	27.75	2	(2) 11x27x1	

PROPRIETARY AND CONFIDENTIAL
 THE INFORMATION CONTAINED IN THIS DOCUMENT IS THE SOLE PROPERTY OF WILLIAMS FURNACE COMPANY. ANY REPRODUCTION IN PART OR AS A WHOLE WITHOUT THE WRITTEN PERMISSION OF WILLIAMS FURNACE COMPANY IS PROHIBITED.

TITLE:
 LH.Flush
 Unit Revision Level B

DWG. NO. D107649
 REV B

DRAWING NOT TO SCALE



RIGHT HAND SHOWN

8" HANDED & 10" OPPOSITE CABINET EXTENSION & EXTENDED DRAIN PAN

OVERALL				SUPPLY DUCT			FRAME		RETURN DUCT		BLOWERS	FILTER SIZE
UNIT SIZE	LENGTH	HEIGHT	DEPTH	A	B	C	D	E	F	G		
002-003	64.5	11	27	18.25	6.38	24.13	65.5	27.75	29	7	1	(1) 8x30x1
004	64.5	11	27	24.25	6.38	21.13	65.5	27.75	29	7	2	(1) 8x30x1
006	72.5	11	27	32.25	6.38	21.13	73.5	27.75	39	7	2	(2) 8x20x1
008	72.5	13	27	32.25	8	21.13	73.5	27.75	39	9	2	(2) 8x20x1
010	86.5	13	27	38.25	8	25.13	87.5	27.75	49	9	2	(2) 8x25x1
012	86.5	13	27	46.25	8	21.13	87.5	27.75	49	9	2	(2) 8x25x1

PROPRIETARY AND CONFIDENTIAL
 THE INFORMATION CONTAINED IN THIS DOCUMENT IS THE SOLE PROPERTY OF THE MANUFACTURER. ANY REPRODUCTION IN PART OR AS A WHOLE WITHOUT WRITTEN PERMISSION IS PROHIBITED.

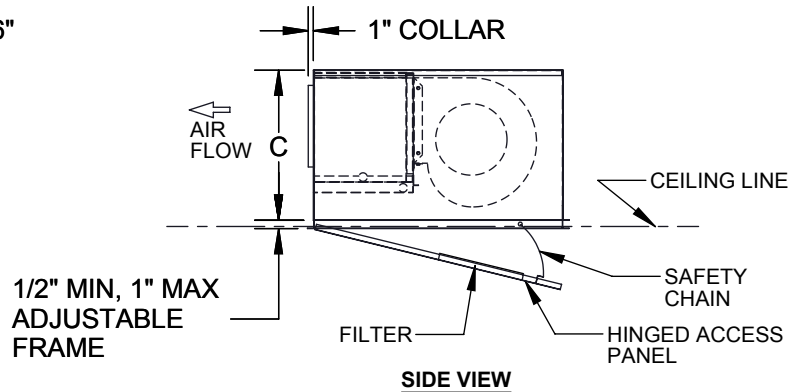
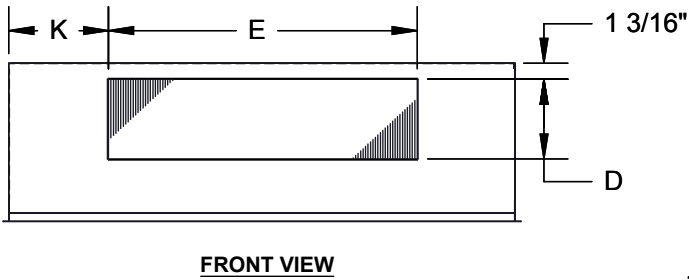
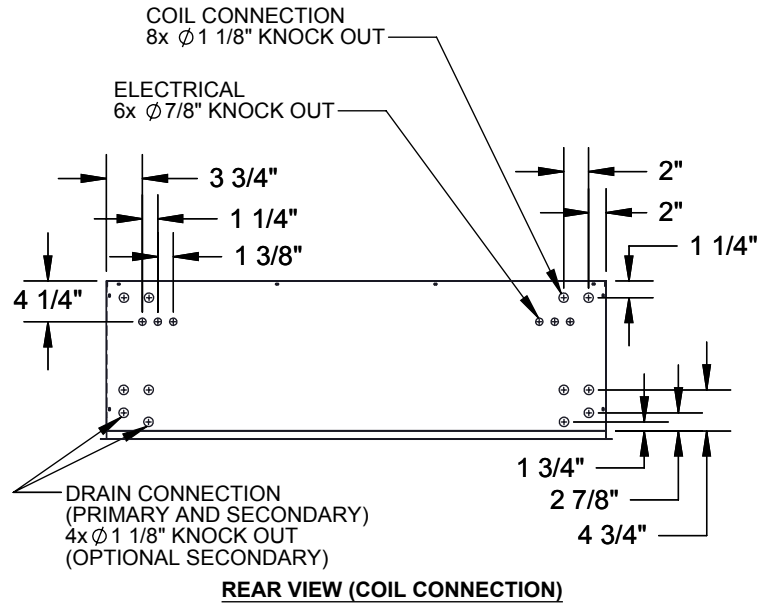
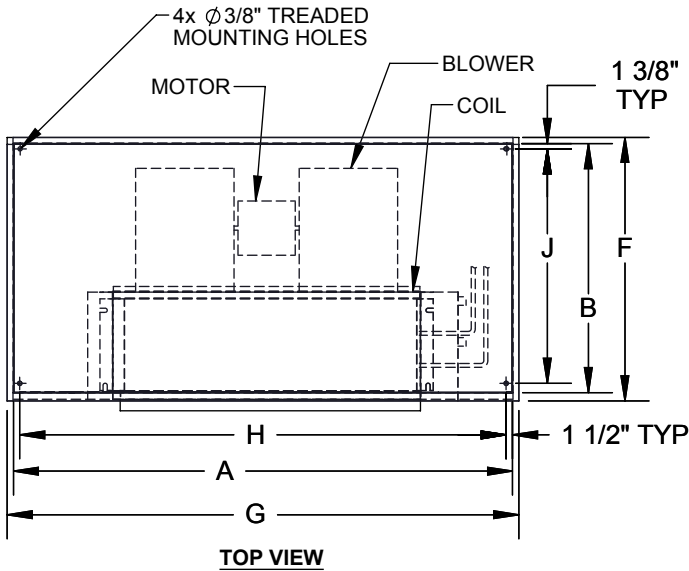
TITLE:

LH.Flush
 Unit Revision Level B

DWG. NO.
 D107578

REV
 B

DRAWING NOT TO SCALE



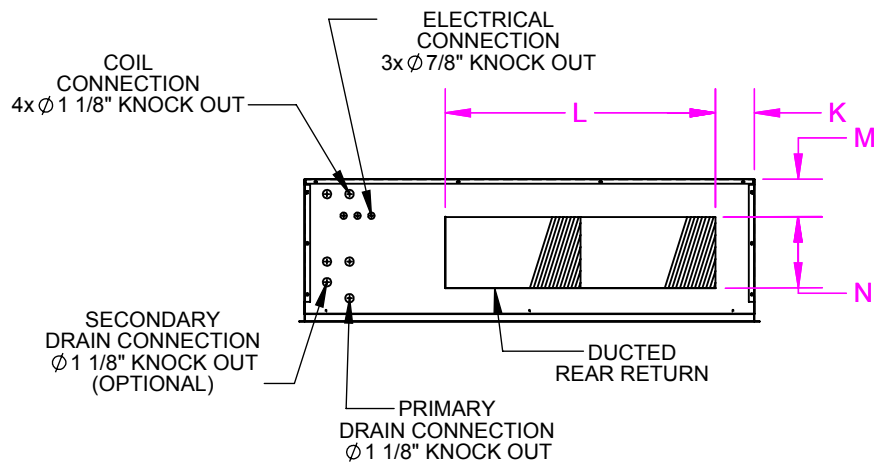
8" HANDED SIDE CABINET EXTENDED DRAIN PAN

RIGHT HAND SHOWN

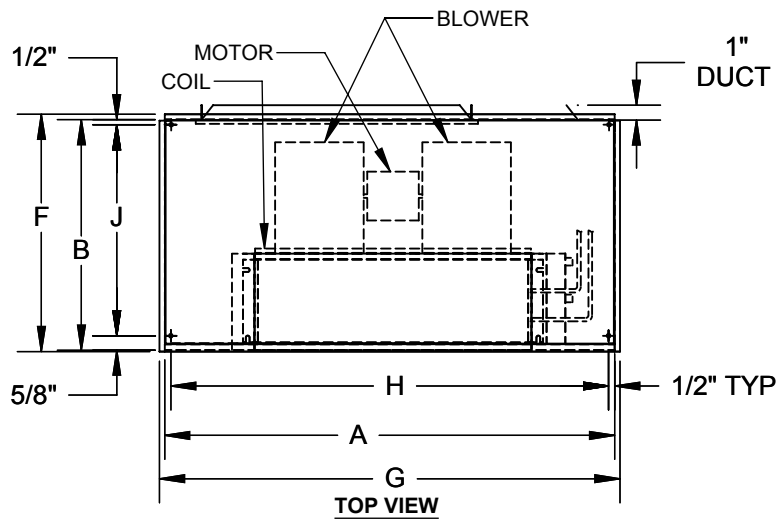
MODEL	A	B	C	D	E	F	G	H	J	K	BLOWER QTY	FILTER SIZE
200-300	54 1/2	27	11	6 3/8	19 1/8	27 3/4	55 1/2	51 1/2	24 1/8	13 3/4	1	(2) 11x20x1
400	54 1/2	27	11	6 3/8	25 1/8	27 3/4	55 1/2	51 1/2	24 1/8	10 11/16	2	(2) 11x20x1
600	62 1/2	27	12	6 3/8	31 1/8	27 3/4	63 1/2	63 1/2	24 1/8	11 11/16	2	(2) 11x24x1
800	62 1/2	27	12	7 5/8	31 1/8	27 3/4	63 1/2	63 1/2	24 1/8	11 11/16	2	(2) 11x24x1
1000	68 1/2	27	12	7 5/8	37 1/8	27 3/4	69 1/2	65 1/2	24 1/8	11 11/16	2	(2) 11x27x1
1200	68 1/2	27	12	7 5/8	43 1/8	27 3/4	69 1/5	65 1/2	24 1/8	8 11/16	2	(2) 11x27x1

BOTTOM STAMPED
LH-FLUSH
REV A

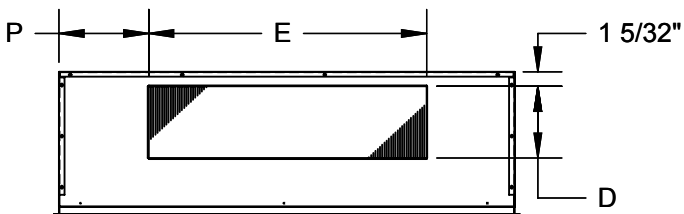
D107682



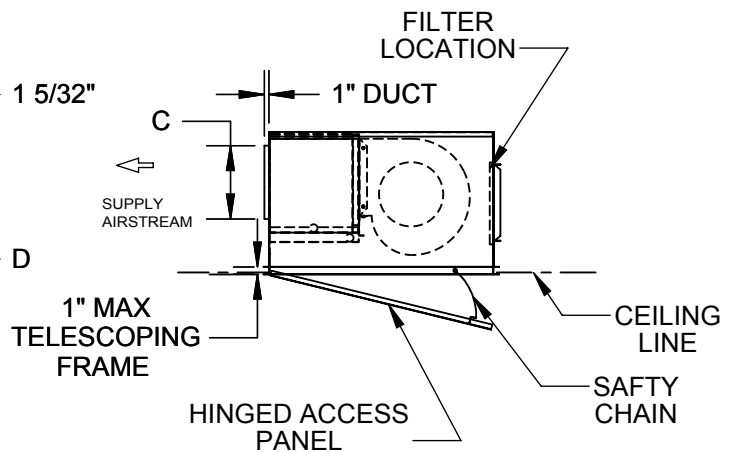
REAR VIEW



TOP VIEW



FRONT VIEW



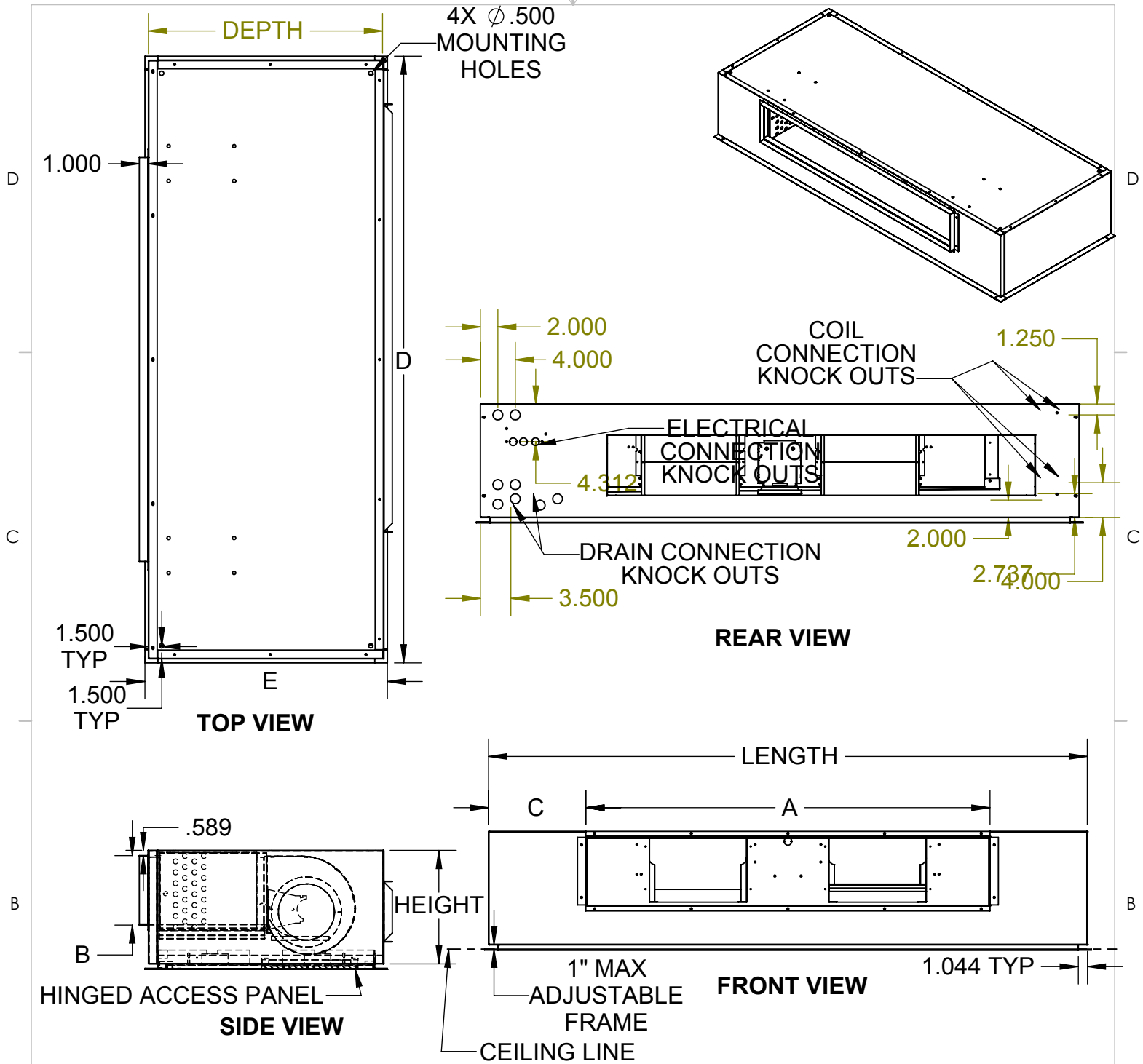
8" HANDED SIDE CABINET EXTENDED DRAIN PAN

RIGHT HAND SHOWN

MODEL	A	B	C	D	E	F	G	H	J	K	L	M	N	P	FILTER SIZE
LH 002-003	54 1/2	27	11	6 3/8	19 1/8	27 3/4	55 1/2	51 1/2	25 1/8	2 1/2	29	2 1/2	7	13 3/4	(1) 8x30x1
400	54 1/2	27	11	6 3/8	25 1/8	27 3/4	55 1/2	51 1/2	24 1/8	2 1/2	29	2 1/2	7	10 11/16	(1) 8x30x1
600	62 1/2	27	12	6 3/8	31 1/8	27 3/4	63 1/2	59 1/2	24 1/8	2 1/2	39	2 1/2	7	11 11/16	(2) 8x40x1
800	62 1/2	27	12	7 5/8	31 1/8	27 3/4	63 1/2	59 1/2	24 1/8	2 1/2	39	2 1/2	7	11 11/16	(2) 8x20x1
1000	68 1/2	27	12	7 5/8	37 1/8	27 3/4	69 1/2	65 1/2	24 1/8	2	49	2 1/2	7	11 11/16	(2) 8x25x1
1200	68 1/2	27	12	7 5/8	43 1/8	27 3/4	69 1/2	65 1/2	24 1/8	2	49	2 1/2	7	8 11/16	(2) 8x25x1

FRONT DUCTED REAR RETURN
 FLUSH
 REV A

D107628



8" HANDED SIDE CABINET EXTENDED DRAIN PAN

OVERALL				SUPPLY DUCT			FRAME		RIGHT HAND SHOWN	
UNIT SIZE	LENGTH	HEIGHT	DEPTH	A	B	C	D	E	BLOWERS	FILTER SIZE
002-003	54.5	11	27	18.25	6.38	14.13	55.5	27.75	1	(2) 11x20x1
004	54.5	11	27	24.25	6.38	11.13	55.5	27.75	2	(2) 11x20x1
006	62.5	11	27	32.25	6.38	11.13	63.5	27.75	2	(2) 11x24x1
008	62.5	13	27	32.25	8	11.13	63.5	27.75	2	(2) 11x24x1
010	76.5	13	27	38.25	8	15.13	77.5	27.75	2	(2) 11x27x1
012	76.5	13	27	46.25	8	11.13	77.5	27.75	2	(2) 11x27x1

PROPRIETARY AND CONFIDENTIAL
 THE INFORMATION CONTAINED IN THIS DOCUMENT IS THE SOLE
 PROPERTY OF WILLIAMS FURNACE COMPANY. ANY REPRODUCTION
 IN PART OR AS A WHOLE WITHOUT THE WRITTEN PERMISSION OF
 WILLIAMS FURNACE COMPANY IS PROHIBITED.

DRAWING NOT TO SCALE

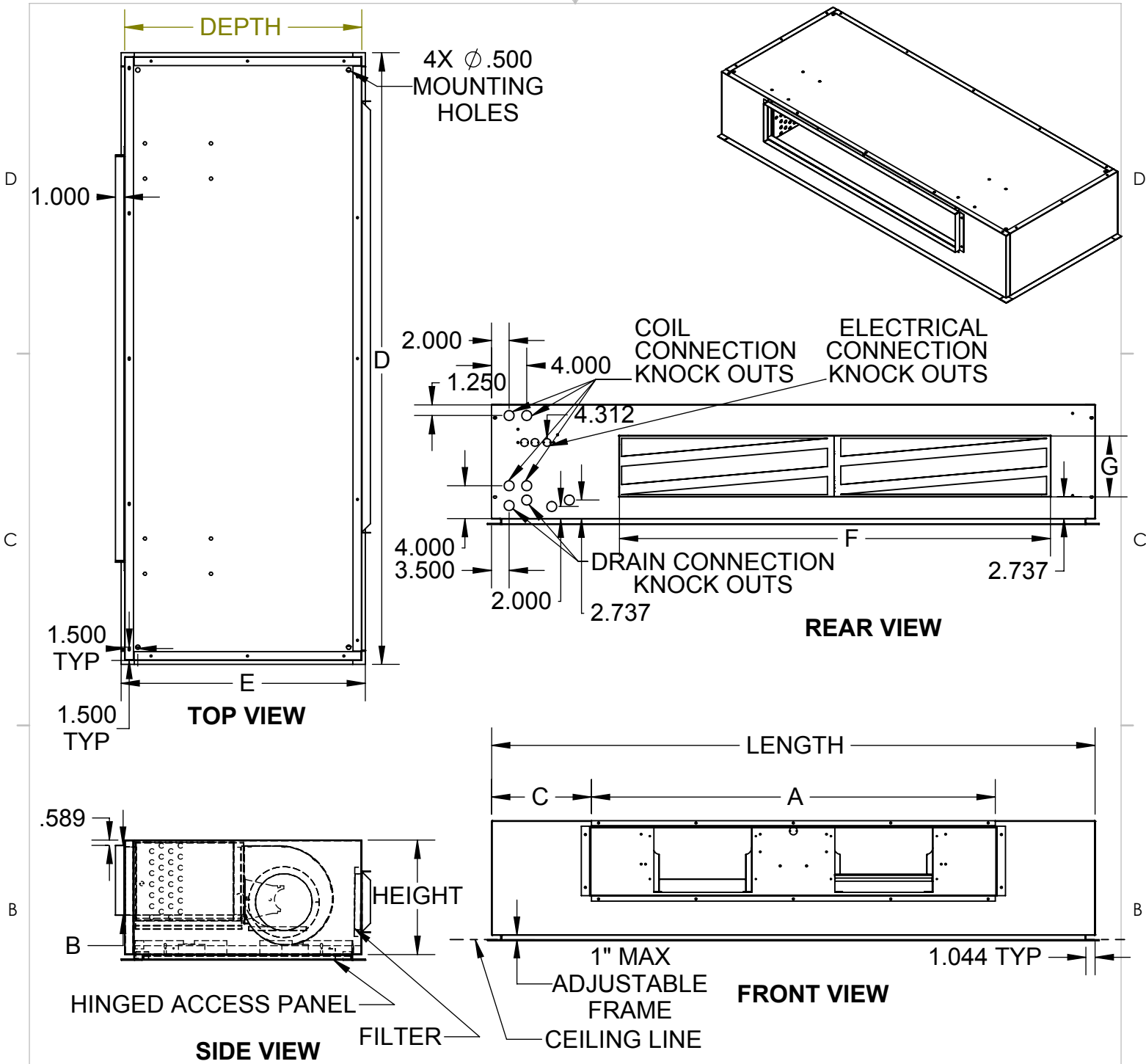
TITLE:

LH.Flush
 Unit Revision Level B

DWG. NO.
 D#####

REV
 B

WILLIAMS
 250 Laurel Street
 Colton, California 92324



RIGHT HAND SHOWN

8" HANDED CABINET EXTENDED DRAIN PAN

OVERALL				SUPPLY DUCT			FRAME		RETURN DUCT		BLOWERS	FILTER SIZE
UNIT SIZE	LENGTH	HEIGHT	DEPTH	A	B	C	D	E	F	G		
002-003	54.5	11	27	18.25	6.38	14.13	55.5	27.75	29	7	1	(1) 8x30x1
004	54.5	11	27	24.25	6.38	11.13	55.5	27.75	29	7	2	(1) 8x30x1
006	62.5	11	27	32.25	6.38	11.13	63.5	27.75	39	7	2	(2) 8x20x1
008	62.5	13	27	32.25	8	11.13	63.5	27.75	39	9	2	(2) 8x20x1
010	76.5	13	27	38.25	8	15.13	77.5	27.75	49	9	2	(2) 8x25x1
012	76.5	13	27	46.25	8	11.13	77.5	27.75	49	9	2	(2) 8x25x1

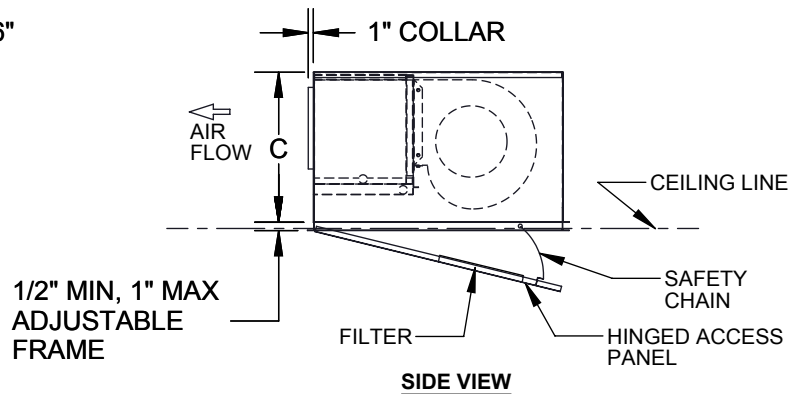
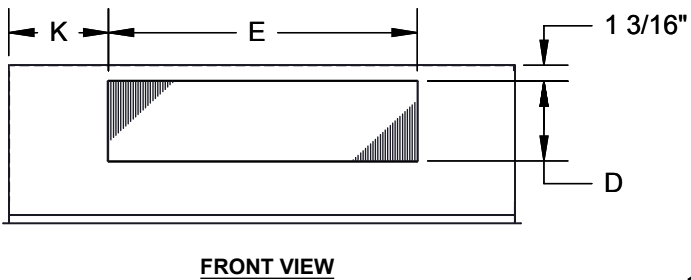
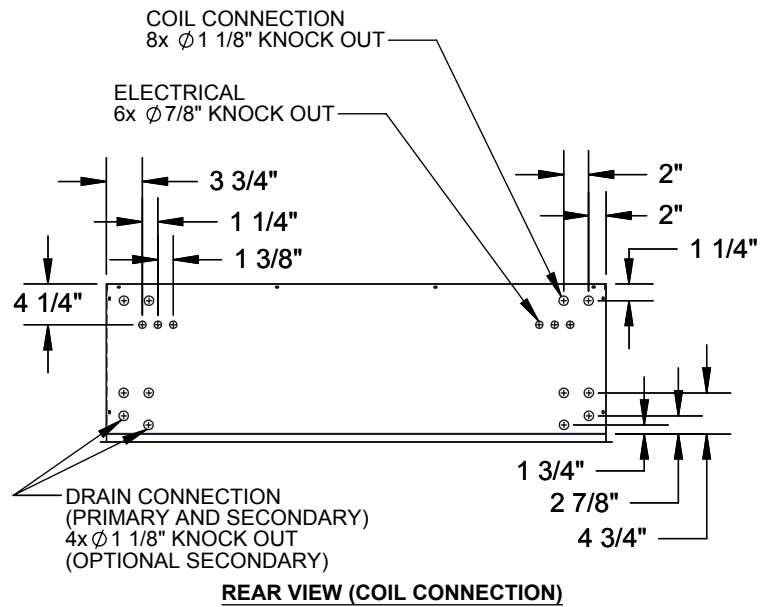
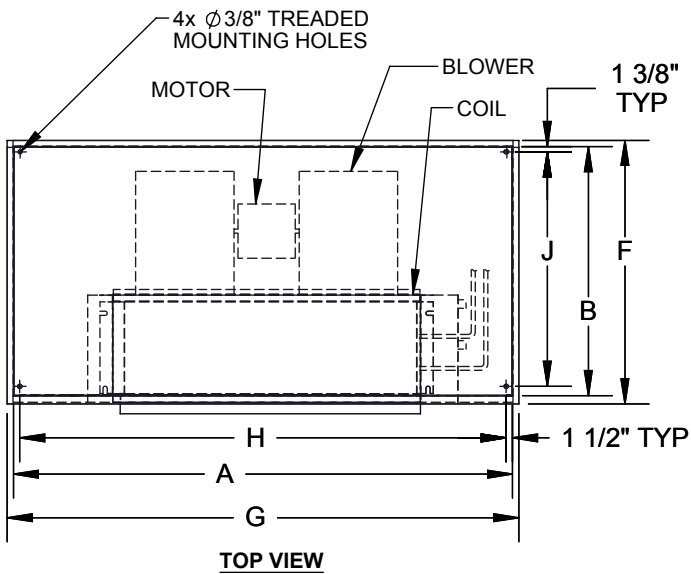
PROPRIETARY AND CONFIDENTIAL
 THE INFORMATION CONTAINED IN THIS DOCUMENT IS THE SOLE
 PROPERTY OF THE MANUFACTURER. ANY REPRODUCTION IN PART
 OR AS A WHOLE WITHOUT WRITTEN PERMISSION IS PROHIBITED.

TITLE:
 LH.Flush
 Unit Revision Level B

DWG. NO.
 D107569

REV
 B

DRAWING NOT TO SCALE



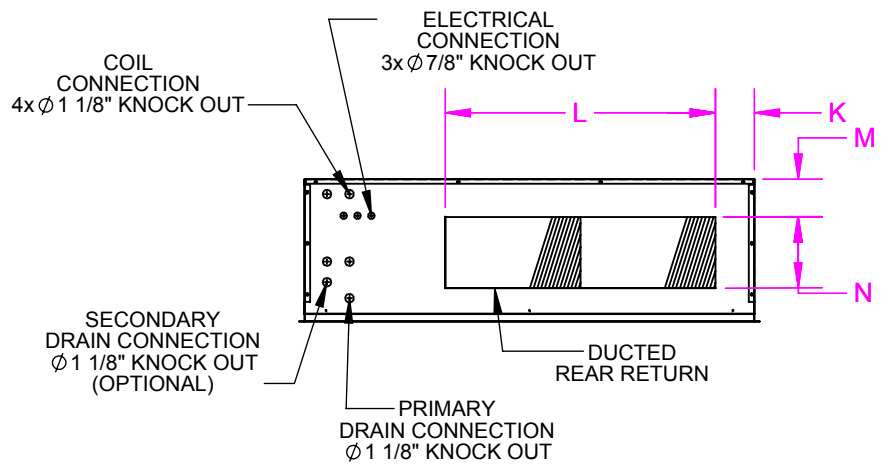
8" OPPOSITE CABINET EXTENSION

RIGHT HAND SHOWN

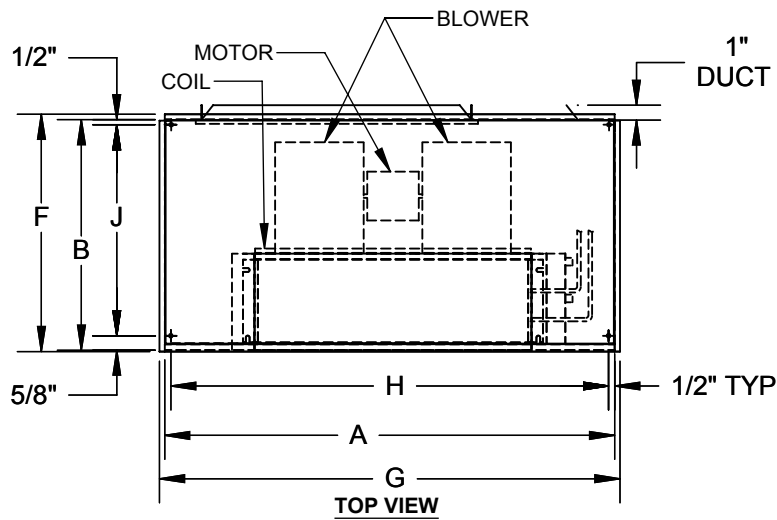
MODEL	A	B	C	D	E	F	G	H	J	K	BLOWER QTY	FILTER SIZE
200-300	54 1/2	27	11	6 3/8	19 1/8	27 3/4	55 1/2	51 1/2	24 1/8	21 3/4	1	(2) 11x20x1
400	54 1/2	27	11	6 3/8	25 1/8	27 3/4	55 1/2	51 1/2	24 1/8	18 11/16	2	(2) 11x20x1
600	62 1/2	27	12	6 3/8	31 1/8	27 3/4	63 1/2	63 1/2	24 1/8	19 11/16	2	(2) 11x24x1
800	62 1/2	27	12	7 5/8	31 1/8	27 3/4	63 1/2	63 1/2	24 1/8	19 11/16	2	(2) 11x24x1
1000	68 1/2	27	12	7 5/8	37 1/8	27 3/4	69 1/2	65 1/2	24 1/8	19 11/16	2	(2) 11x27x1
1200	68 1/2	27	12	7 5/8	43 1/8	27 3/4	69 1/5	65 1/2	24 1/8	16 11/16	2	(2) 11x27x1

BOTTOM STAMPED
LH-FLUSH
REV A

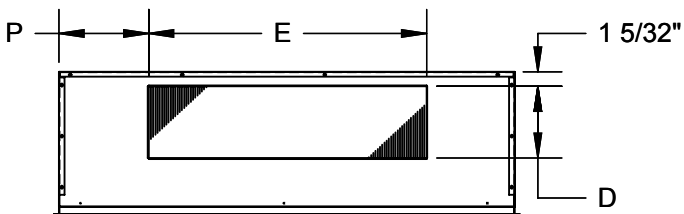
D107683



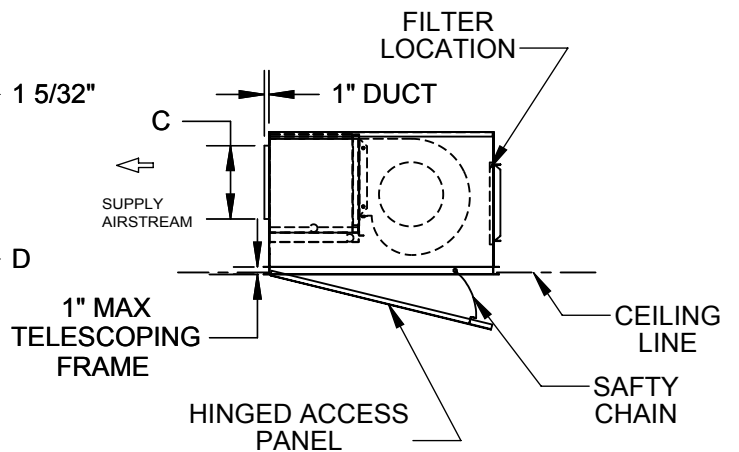
REAR VIEW



TOP VIEW



FRONT VIEW



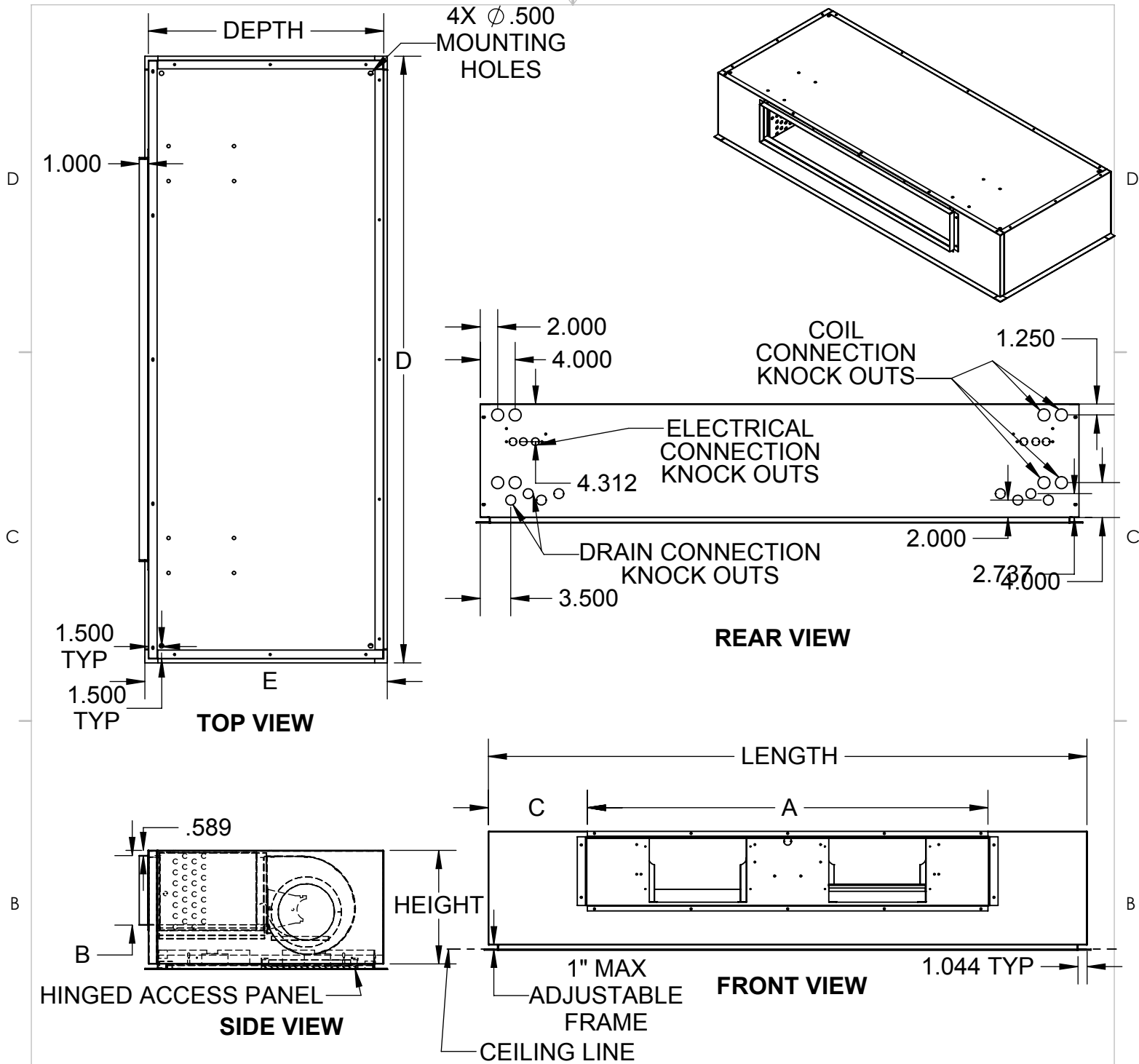
8" OPPOSITE CABINET EXTENSION

RIGHT HAND SHOWN

MODEL	A	B	C	D	E	F	G	H	J	K	L	M	N	P	FILTER SIZE
LH 002-003	54 1/2	27	11	6 3/8	19 1/8	27 3/4	55 1/2	51 1/2	25 1/8	10 1/2	29	2 1/2	7	21 3/4	(1) 8x30x1
400	54 1/2	27	11	6 3/8	25 1/8	27 3/4	55 1/2	51 1/2	24 1/8	10 1/2	29	2 1/2	7	18 11/16	(1) 8x30x1
600	62 1/2	27	12	6 3/8	31 1/8	27 3/4	63 1/2	59 1/2	24 1/8	10 1/2	39	2 1/2	7	19 11/16	(2) 8x40x1
800	62 1/2	27	12	7 5/8	31 1/8	27 3/4	63 1/2	59 1/2	24 1/8	10 1/2	39	2 1/2	7	19 11/16	(2) 8x20x1
1000	68 1/2	27	12	7 5/8	37 1/8	27 3/4	69 1/2	65 1/2	24 1/8	10	49	2 1/2	7	19 11/16	(2) 8x25x1
1200	68 1/2	27	12	7 5/8	43 1/8	27 3/4	69 1/2	65 1/2	24 1/8	10	49	2 1/2	7	16 11/16	(2) 8x25x1

FRONT DUCTED REAR RETURN
 FLUSH
 REV A

D107629



8" OPPOSITE CABINET EXTENSION

OVERALL				SUPPLY DUCT			FRAME		RIGHT HAND SHOWN	
UNIT SIZE	LENGTH	HEIGHT	DEPTH	A	B	C	D	E	BLOWERS	FILTER SIZE
002-003	54.5	11	27	18.25	6.38	22.13	55.5	27.75	1	(2) 11x20x1
004	54.5	11	27	24.25	6.38	19.13	55.5	27.75	2	(2) 11x20x1
006	62.5	11	27	32.25	6.38	19.13	63.5	27.75	2	(2) 11x24x1
008	62.5	13	27	32.25	8	19.13	63.5	27.75	2	(2) 11x24x1
010	76.5	13	27	38.25	8	23.13	77.5	27.75	2	(2) 11x27x1
012	76.5	13	27	46.25	8	19.13	77.5	27.75	2	(2) 11x27x1

PROPRIETARY AND CONFIDENTIAL
 THE INFORMATION CONTAINED IN THIS DOCUMENT IS THE SOLE
 PROPERTY OF WILLIAMS FURNACE COMPANY. ANY REPRODUCTION
 IN PART OR AS A WHOLE WITHOUT THE WRITTEN PERMISSION OF
 WILLIAMS FURNACE COMPANY IS PROHIBITED.

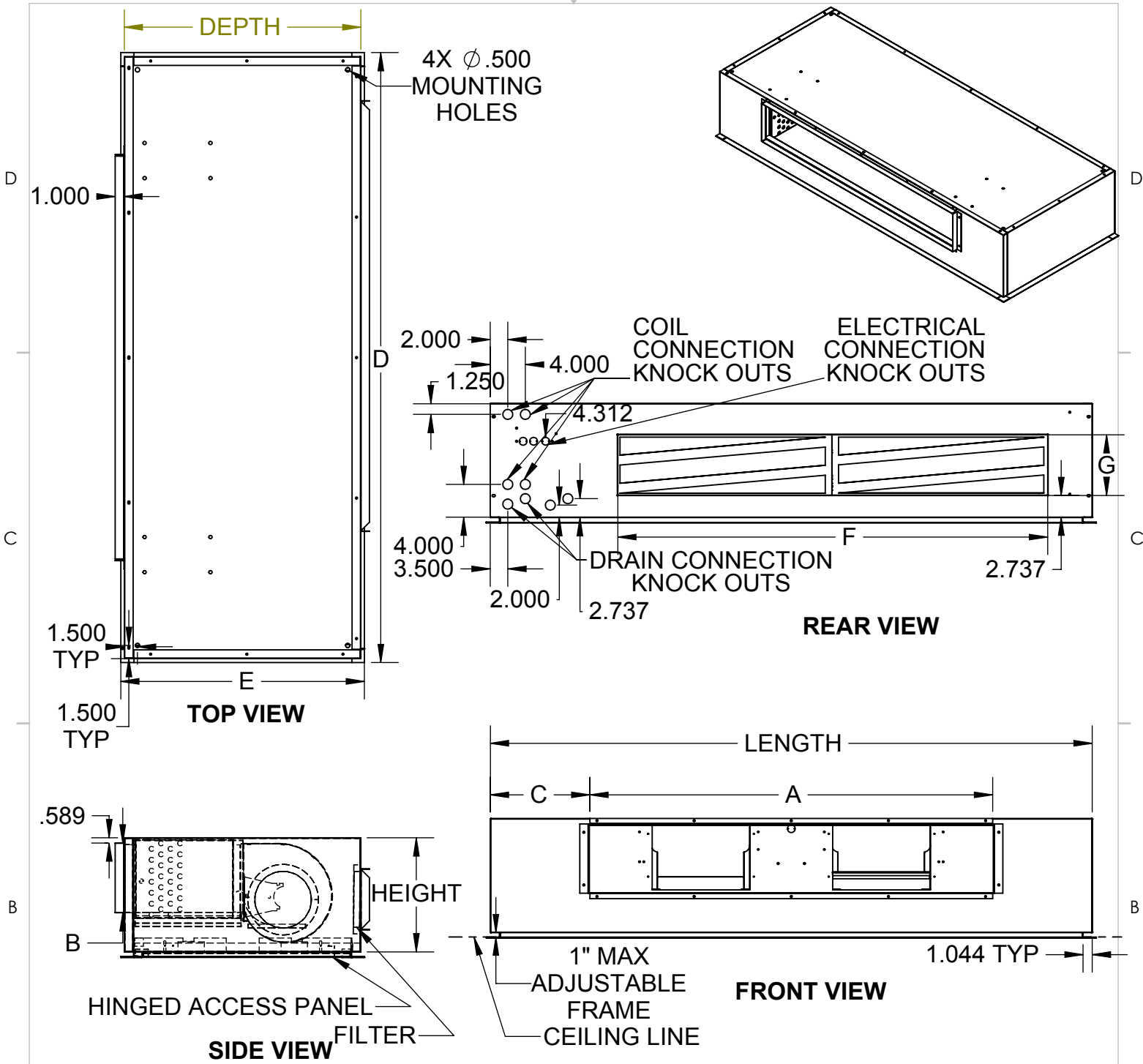
TITLE:

LH.Flush
 Unit Revision Level B

DWG. NO.
 D107646

REV
 B

DRAWING NOT TO SCALE



RIGHT HAND SHOWN

8" OPPOSITE CABINET EXTENSION

OVERALL				SUPPLY DUCT			FRAME		RETURN DUCT		BLOWERS	FILTER SIZE
UNIT SIZE	LENGTH	HEIGHT	DEPTH	A	B	C	D	E	F	G		
002-003	54.5	11	27	18.25	6.38	22.13	55.5	27.75	29	7	1	(1) 8x30x1
004	54.5	11	27	24.25	6.38	19.13	55.5	27.75	29	7	2	(1) 8x30x1
006	62.5	11	27	32.25	6.38	19.13	63.5	27.75	39	7	2	(2) 8x20x1
008	62.5	13	27	32.25	8	19.13	63.5	27.75	39	9	2	(2) 8x20x1
010	76.5	13	27	38.25	8	23.13	77.5	27.75	49	9	2	(2) 8x25x1
012	76.5	13	27	46.25	8	19.13	77.5	27.75	49	9	2	(2) 8x25x1

PROPRIETARY AND CONFIDENTIAL
 THE INFORMATION CONTAINED IN THIS DOCUMENT IS THE SOLE PROPERTY OF THE MANUFACTURER. ANY REPRODUCTION IN PART OR AS A WHOLE WITHOUT WRITTEN PERMISSION IS PROHIBITED.

TITLE:

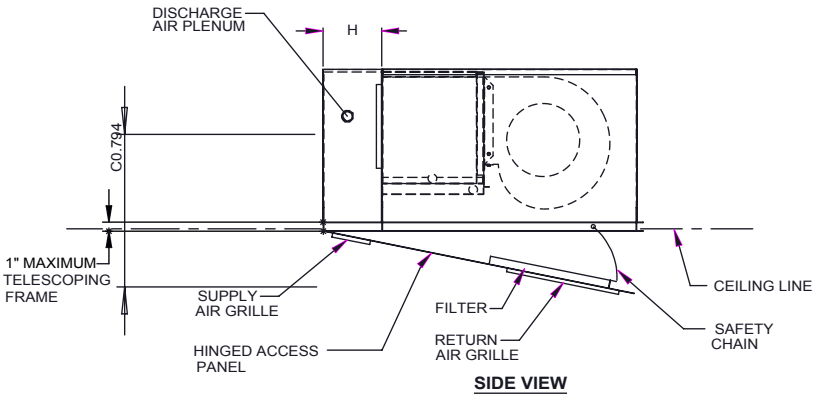
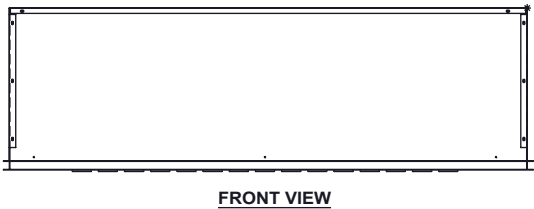
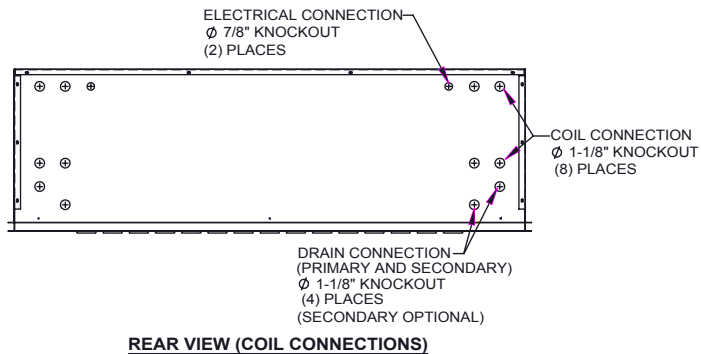
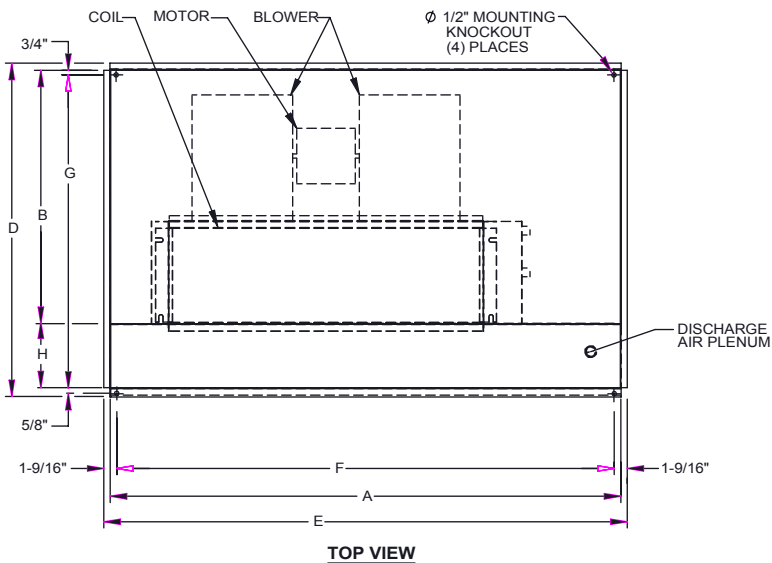
LH.Flush
 Unit Revision Level B

DWG. NO.
 D107575

REV
 B

DRAWING NOT TO SCALE

LH02/12 FLUSH, TYPE "E" WITH BOTTOM SUPPLY AND BOTTOM RETURN



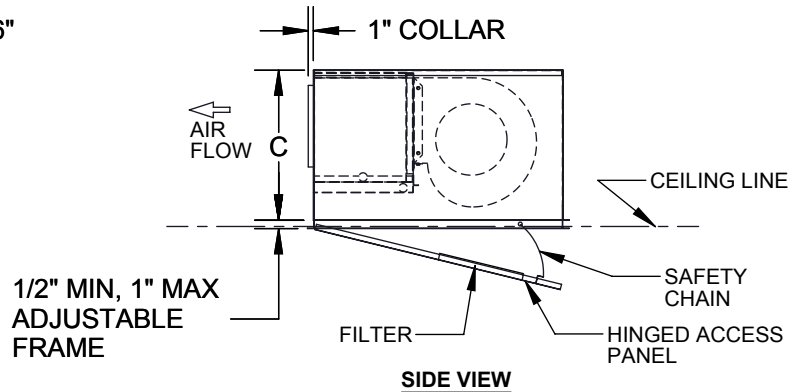
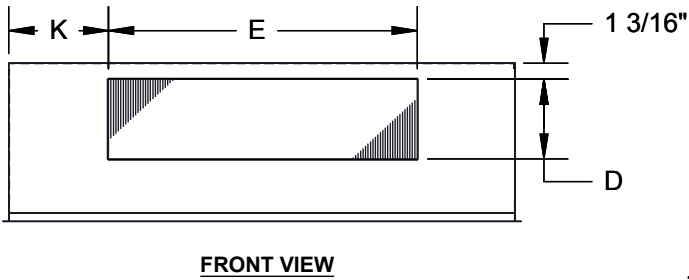
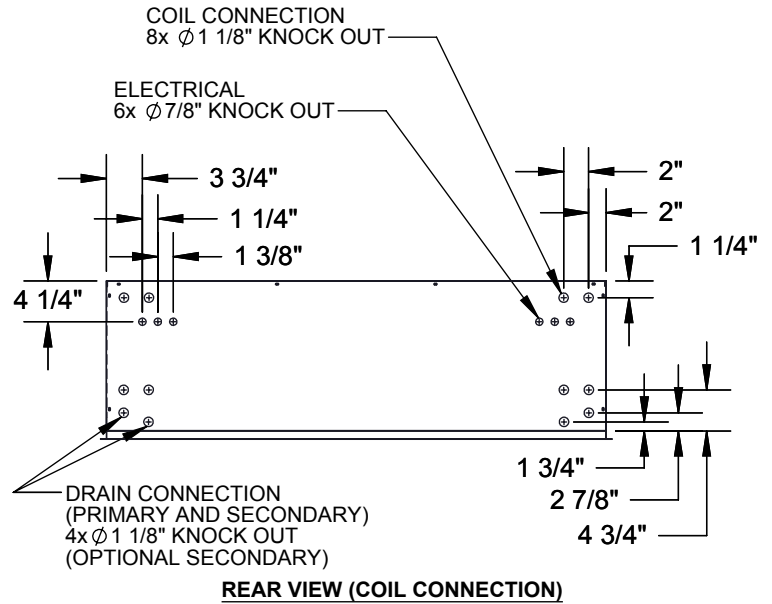
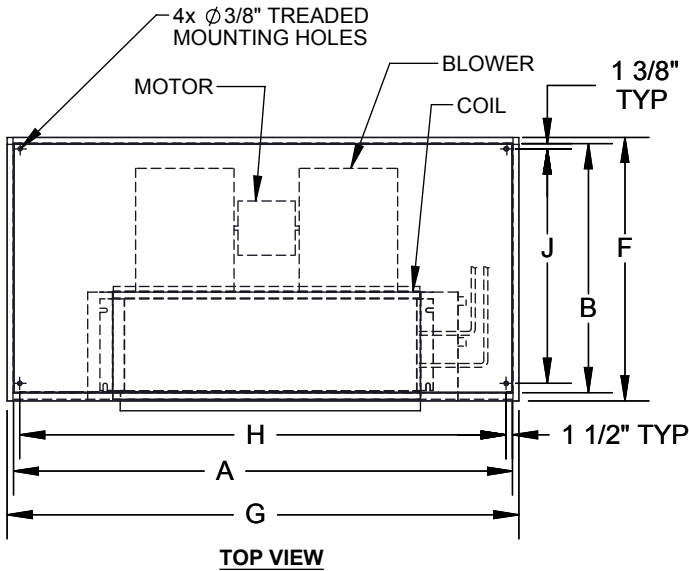
10" CABINET EXTENSION

RIGHT HAND SHOWN

LH-E MODEL	LH-E FLUSH MOUNTED CABINET DIMENSIONS								
	A	B	C	D	E	F	G	H	FILTER SIZE
02/03	56	25 7/8	11	39 3/8	57 3/8	54 1/4	37 1/8	12	12" x 20" x 1"
04	56	25 7/8	11	39 3/8	57 3/8	54 1/4	37 1/8	12	12" x 20" x 1"
06	64	25 7/8	12	39 3/8	65 3/8	62 1/4	37 1/8	12	12" x 25" x 1"
08	64	25 7/8	12	45 3/8	65 3/8	62 1/4	43 1/8	18	12" x 25" x 1"
10	70	25 7/8	12	45 3/8	71 3/8	68 1/4	43 1/8	18	12" x 25" x 1"
12	70	25 7/8	12	45 3/8	71 3/8	68 1/4	43 1/8	18	12" x 25" x 1"

BOTTOM STAMPED REV A

D107585



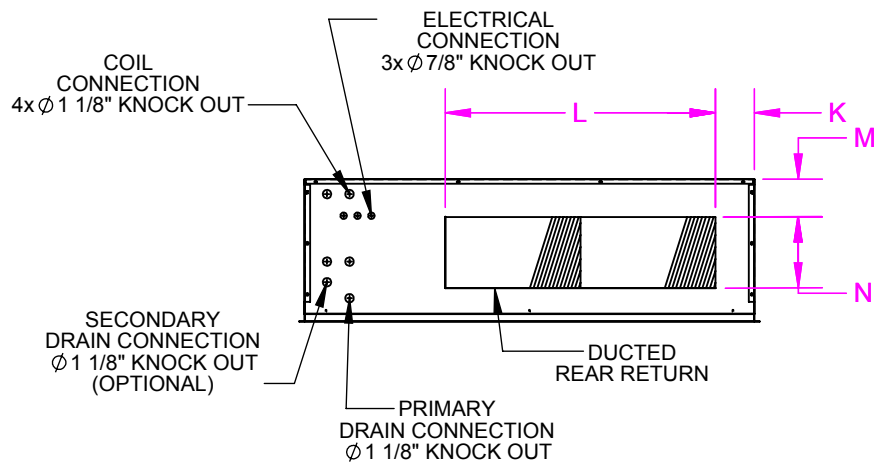
10" HANDED & 6" OPPOSITE CABINET EXTENSION & EXTENDED DRAIN PAN

RIGHT HAND SHOWN

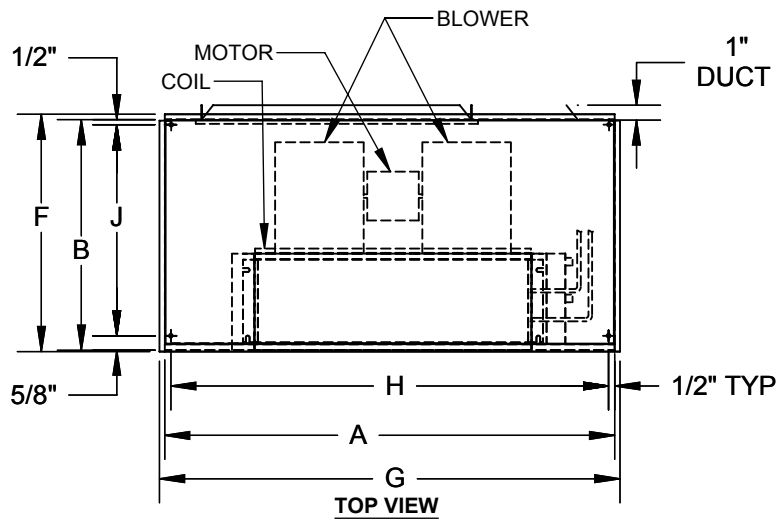
MODEL	A	B	C	D	E	F	G	H	J	K	BLOWER QTY	FILTER SIZE
200-300	62 1/2	27	11	6 3/8	19 1/8	27 3/4	63 1/2	59 1/2	24 1/8	19 3/4	1	(2) 11x20x1
400	62 1/2	27	11	6 3/8	25 1/8	27 3/4	63 1/2	59 1/2	24 1/8	16 11/16	2	(2) 11x20x1
600	70 1/2	27	12	6 3/8	31 1/8	27 3/4	71 1/2	71 1/2	24 1/8	17 11/16	2	(2) 11x24x1
800	70 1/2	27	12	7 5/8	31 1/8	27 3/4	71 1/2	71 1/2	24 1/8	17 11/16	2	(2) 11x24x1
1000	76 1/2	27	12	7 5/8	37 1/8	27 3/4	76 1/2	73 1/2	24 1/8	17 11/16	2	(2) 11x27x1
1200	76 1/2	27	12	7 5/8	43 1/8	27 3/4	76 1/5	73 1/2	24 1/8	14 11/16	2	(2) 11x27x1

FRONT DUCTED BOTTOM STAMPED
FLUSH
REV A

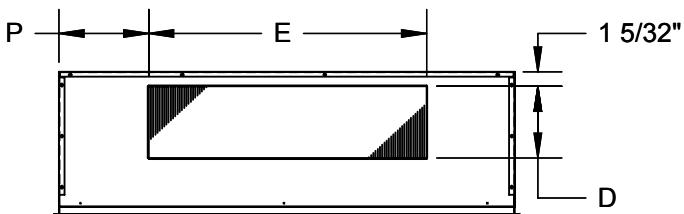
D107689



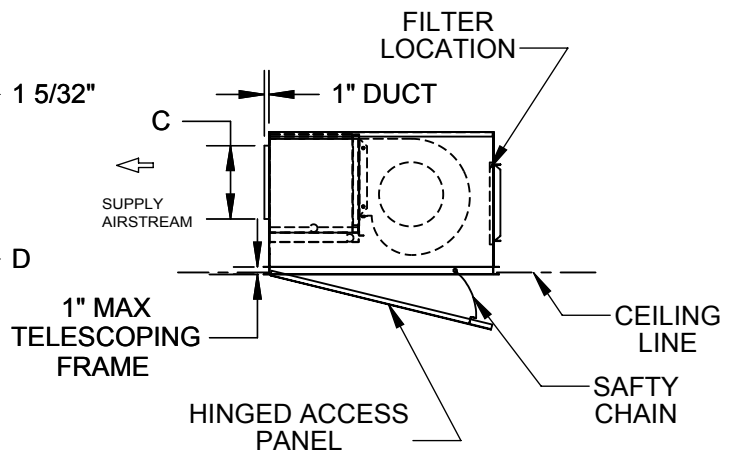
REAR VIEW



TOP VIEW



FRONT VIEW



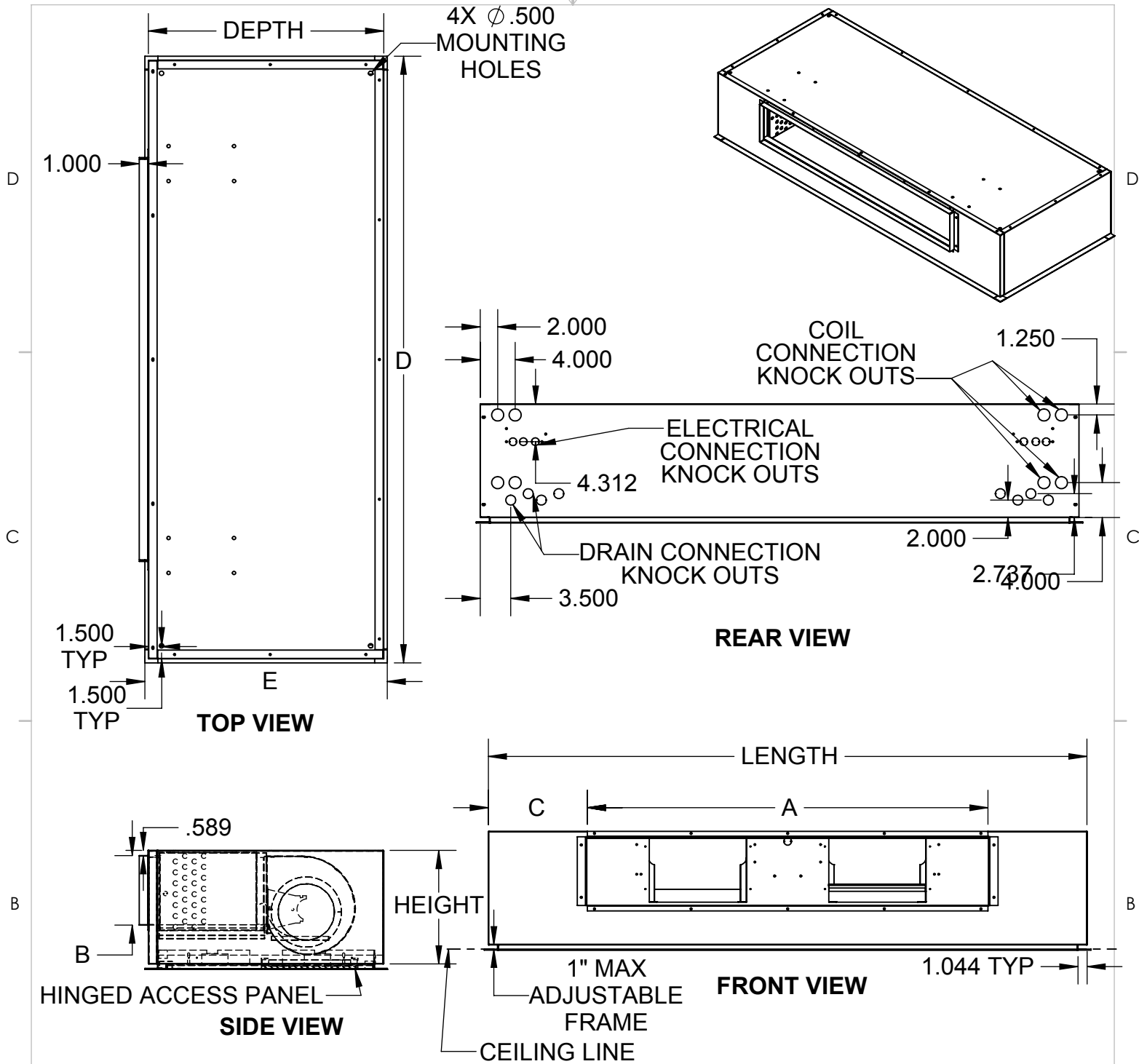
10" HANDED & 6" OPPOSITE CABINET EXTENTION & EXTENDED DRAIN PAN

RIGHT HAND SHOWN

MODEL	A	B	C	D	E	F	G	H	J	K	L	M	N	P	FILTER SIZE
LH 002-003	62 1/2	27	11	6 3/8	19 1/8	27 3/4	63 1/2	59 1/2	25 1/8	8 1/2	29	2 1/2	7	19 3/4	(1) 8x30x1
400	62 1/2	27	11	6 3/8	25 1/8	27 3/4	63 1/2	59 1/2	24 1/8	8 1/2	29	2 1/2	7	16 11/16	(1) 8x30x1
600	70 1/2	27	12	6 3/8	31 1/8	27 3/4	71 1/2	67 1/2	24 1/8	8 1/2	39	2 1/2	7	17 11/16	(2) 8x40x1
800	70 1/2	27	12	7 5/8	31 1/8	27 3/4	71 1/2	67 1/2	24 1/8	8 1/2	39	2 1/2	7	17 11/16	(2) 8x20x1
1000	76 1/2	27	12	7 5/8	37 1/8	27 3/4	77 1/2	73 1/2	24 1/8	8	49	2 1/2	7	17 11/16	(2) 8x25x1
1200	76 1/2	27	12	7 5/8	43 1/8	27 3/4	77 1/2	73 1/2	24 1/8	8	49	2 1/2	7	14 11/16	(2) 8x25x1

FRONT DUCTED REAR RETURN
 FLUSH
 REV A

D107635



10" HANDED & 6" OPPOSITE CABINET EXTENSION & EXTENDED DRAIN PAN

OVERALL				SUPPLY DUCT			FRAME		RIGHT HAND SHOWN	
UNIT SIZE	LENGTH	HEIGHT	DEPTH	A	B	C	D	E	BLOWERS	FILTER SIZE
002-003	62.5	11	27	18.25	6.38	20.13	63.5	27.75	1	(2) 11x20x1
004	62.5	11	27	24.25	6.38	17.13	63.5	27.75	2	(2) 11x20x1
006	70.5	11	27	32.25	6.38	17.13	71.5	27.75	2	(2) 11x24x1
008	70.5	13	27	32.25	8	17.13	71.5	27.75	2	(2) 11x24x1
010	84.5	13	27	38.25	8	21.13	85.5	27.75	2	(2) 11x27x1
012	84.5	13	27	46.25	8	17.13	85.5	27.75	2	(2) 11x27x1

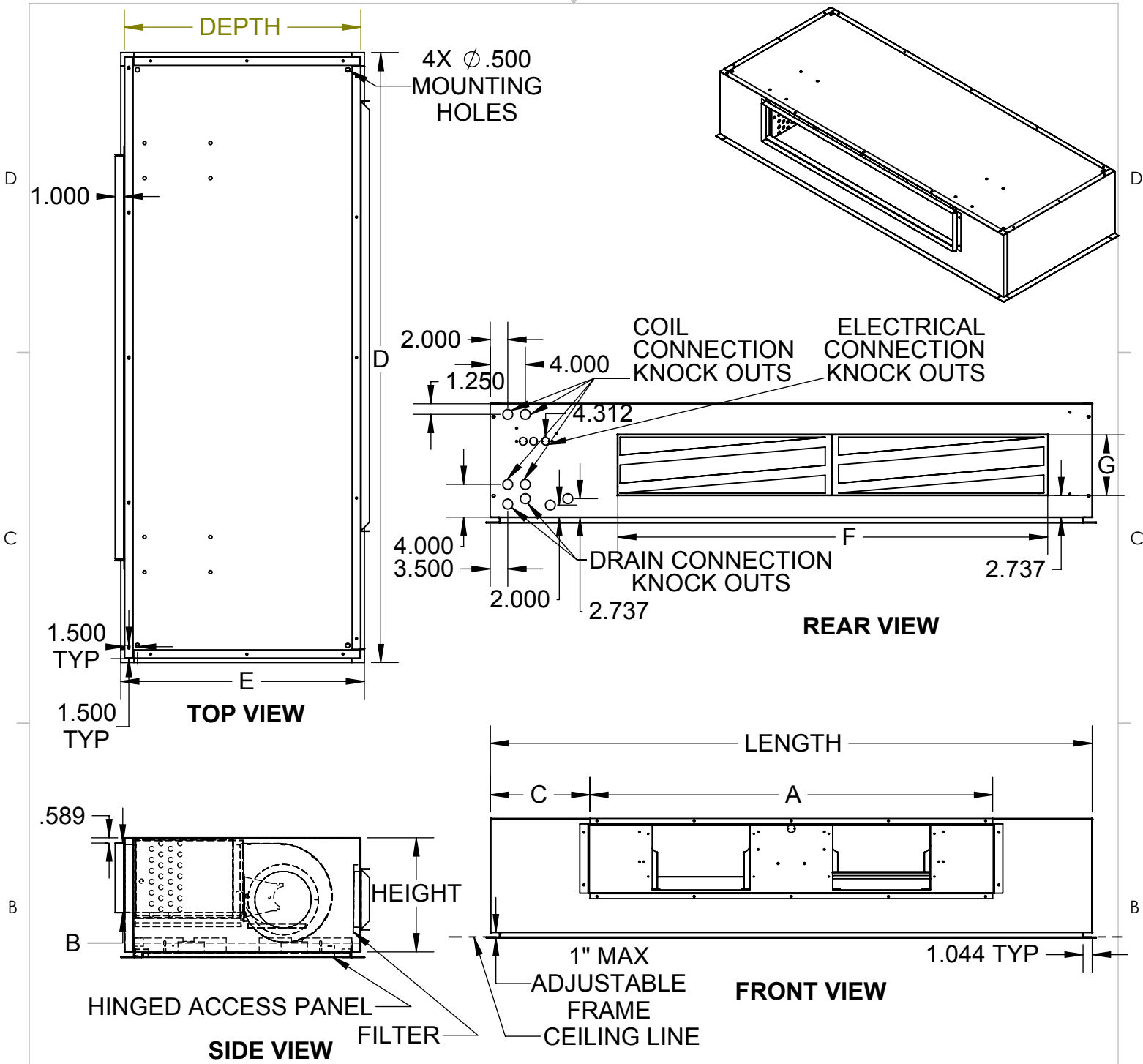
PROPRIETARY AND CONFIDENTIAL
 THE INFORMATION CONTAINED IN THIS DOCUMENT IS THE SOLE PROPERTY OF WILLIAMS FURNACE COMPANY. ANY REPRODUCTION IN PART OR AS A WHOLE WITHOUT THE WRITTEN PERMISSION OF WILLIAMS FURNACE COMPANY IS PROHIBITED.

TITLE:
 LH.Flush
 Unit Revision Level B

DWG. NO.
 D107652

REV
 B

DRAWING NOT TO SCALE



RIGHT HAND SHOWN

10" HANDED & 6" OPPOSITE CABINET EXTENTION & EXTENDED DRIAN PAN

OVERALL				SUPPLY DUCT			FRAME		RETURN DUCT		BLOWERS	FILTER SIZE
UNIT SIZE	LENGTH	HEIGHT	DEPTH	A	B	C	D	E	F	G		
002-003	62.5	11	27	18.25	6.38	20.13	63.5	27.75	29	7	1	(1) 8x30x1
004	62.5	11	27	24.25	6.38	17.13	63.5	27.75	29	7	2	(1) 8x30x1
006	70.5	11	27	32.25	6.38	17.13	71.13	27.75	39	7	2	(2) 8x20x1
008	70.5	13	27	32.25	8	17.13	71.13	27.75	39	9	2	(2) 8x20x1
010	84.5	13	27	38.25	8	21.13	85.5	27.75	49	9	2	(2) 8x25x1
012	84.5	13	27	46.25	8	17.13	85.5	27.75	49	9	2	(2) 8x25x1

PROPRIETARY AND CONFIDENTIAL
 THE INFORMATION CONTAINED IN THIS DOCUMENT IS THE SOLE
 PROPERTY OF THE MANUFACTURER. ANY REPRODUCTION IN PART
 OR AS A WHOLE WITHOUT WRITTEN PERMISSION IS PROHIBITED.

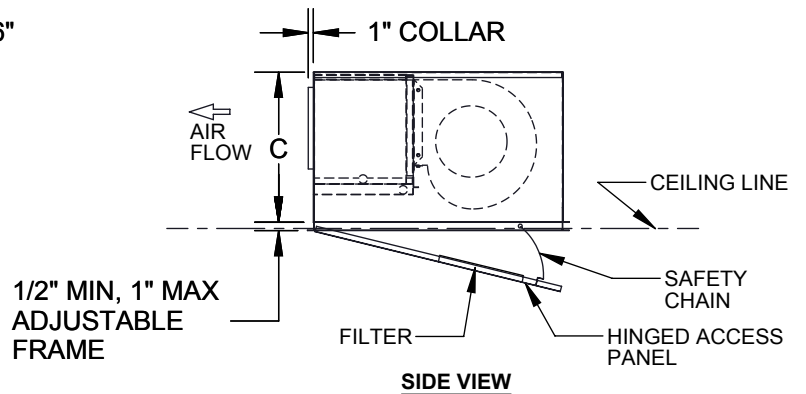
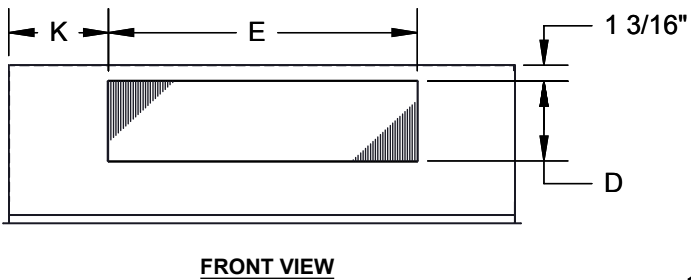
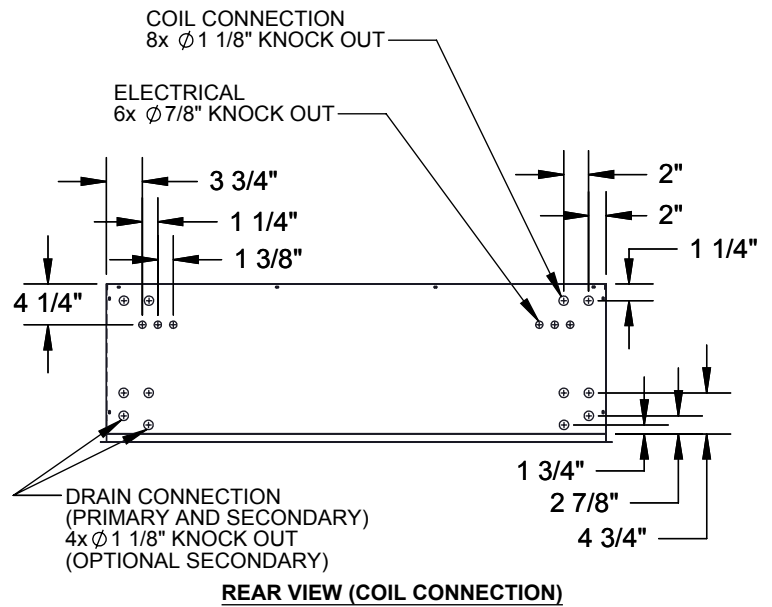
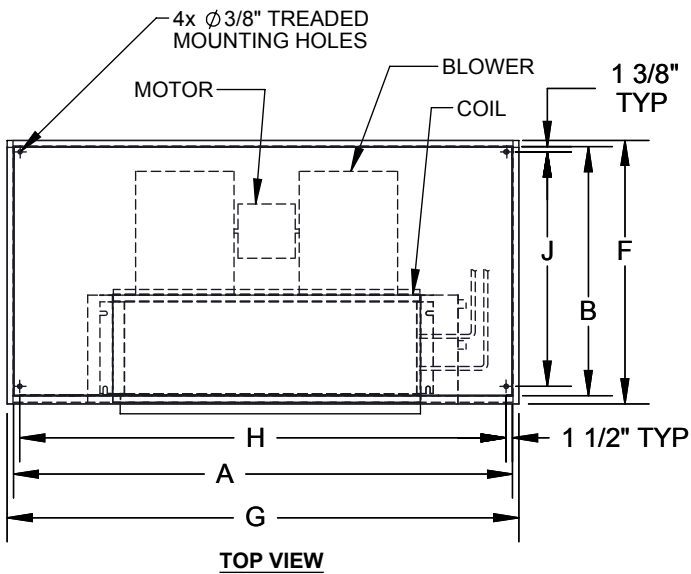
TITLE:

LH.Flush
 Unit Revision Level B

DWG. NO.
 D107580

REV
 B

DRAWING NOT TO SCALE



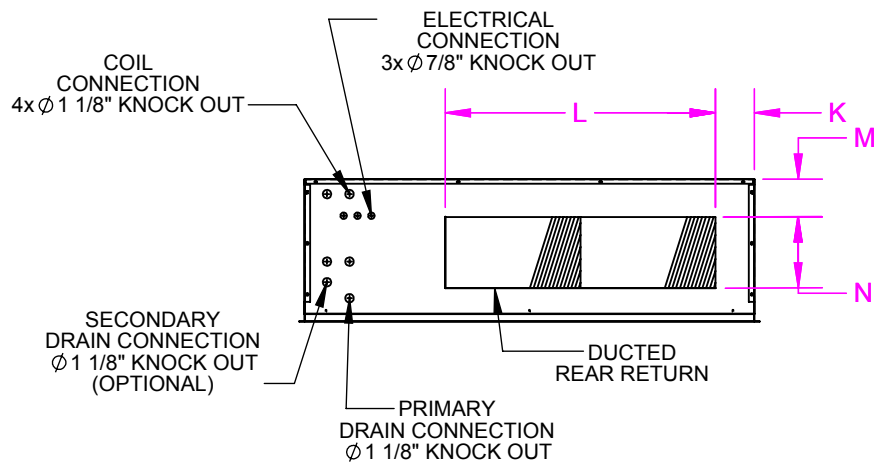
10" HANDED & 8" OPPOSITE CABINET EXTENSION & EXTENDED DRAIN PAN

RIGHT HAND SHOWN

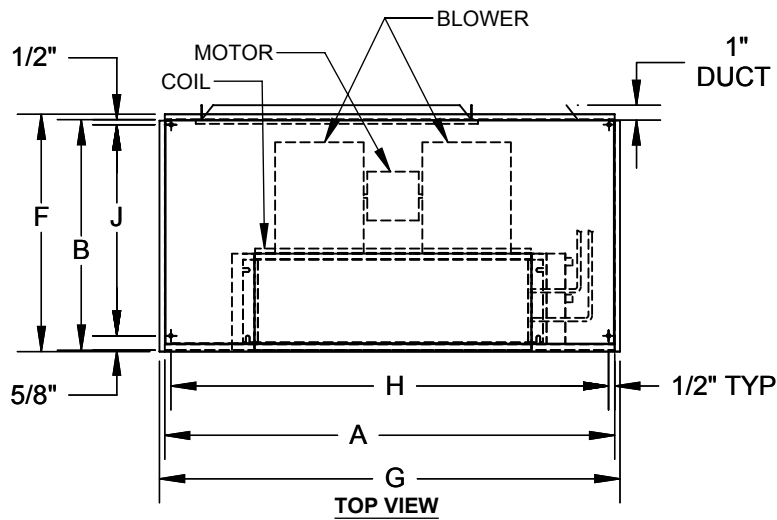
MODEL	A	B	C	D	E	F	G	H	J	K	BLOWER QTY	FILTER SIZE
200-300	64 1/2	27	11	6 3/8	19 1/8	27 3/4	65 1/2	61 1/2	24 1/8	21 3/4	1	(2) 11x20x1
400	64 1/2	27	11	6 3/8	25 1/8	27 3/4	65 1/2	61 1/2	24 1/8	18 11/16	2	(2) 11x20x1
600	72 1/2	27	12	6 3/8	31 1/8	27 3/4	73 1/2	73 1/2	24 1/8	19 11/16	2	(2) 11x24x1
800	72 1/2	27	12	7 5/8	31 1/8	27 3/4	73 1/2	73 1/2	24 1/8	19 11/16	2	(2) 11x24x1
1000	78 1/2	27	12	7 5/8	37 1/8	27 3/4	78 1/2	75 1/2	24 1/8	19 11/16	2	(2) 11x27x1
1200	78 1/2	27	12	7 5/8	43 1/8	27 3/4	78 1/5	75 1/2	24 1/8	16 11/16	2	(2) 11x27x1

BOTTOM STAMPED
LH-FLUSH
REV A

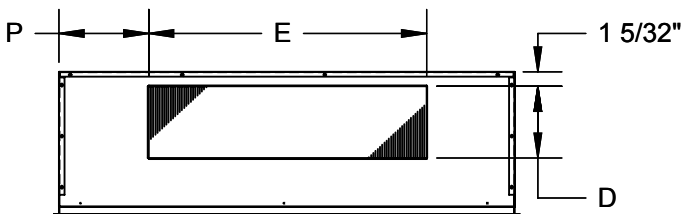
D107690



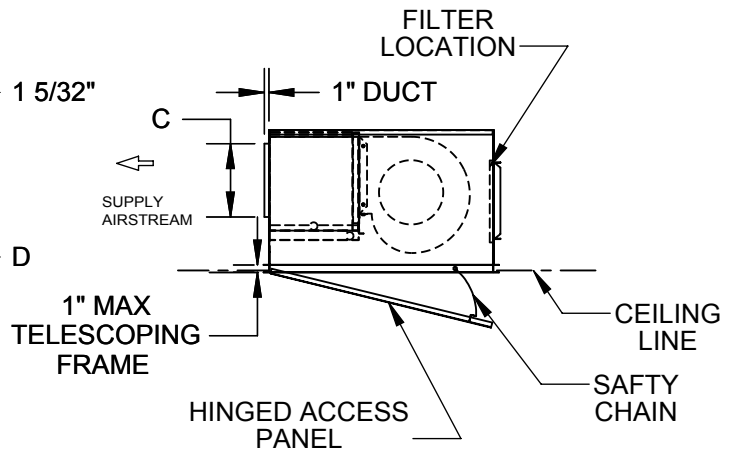
REAR VIEW



TOP VIEW



FRONT VIEW



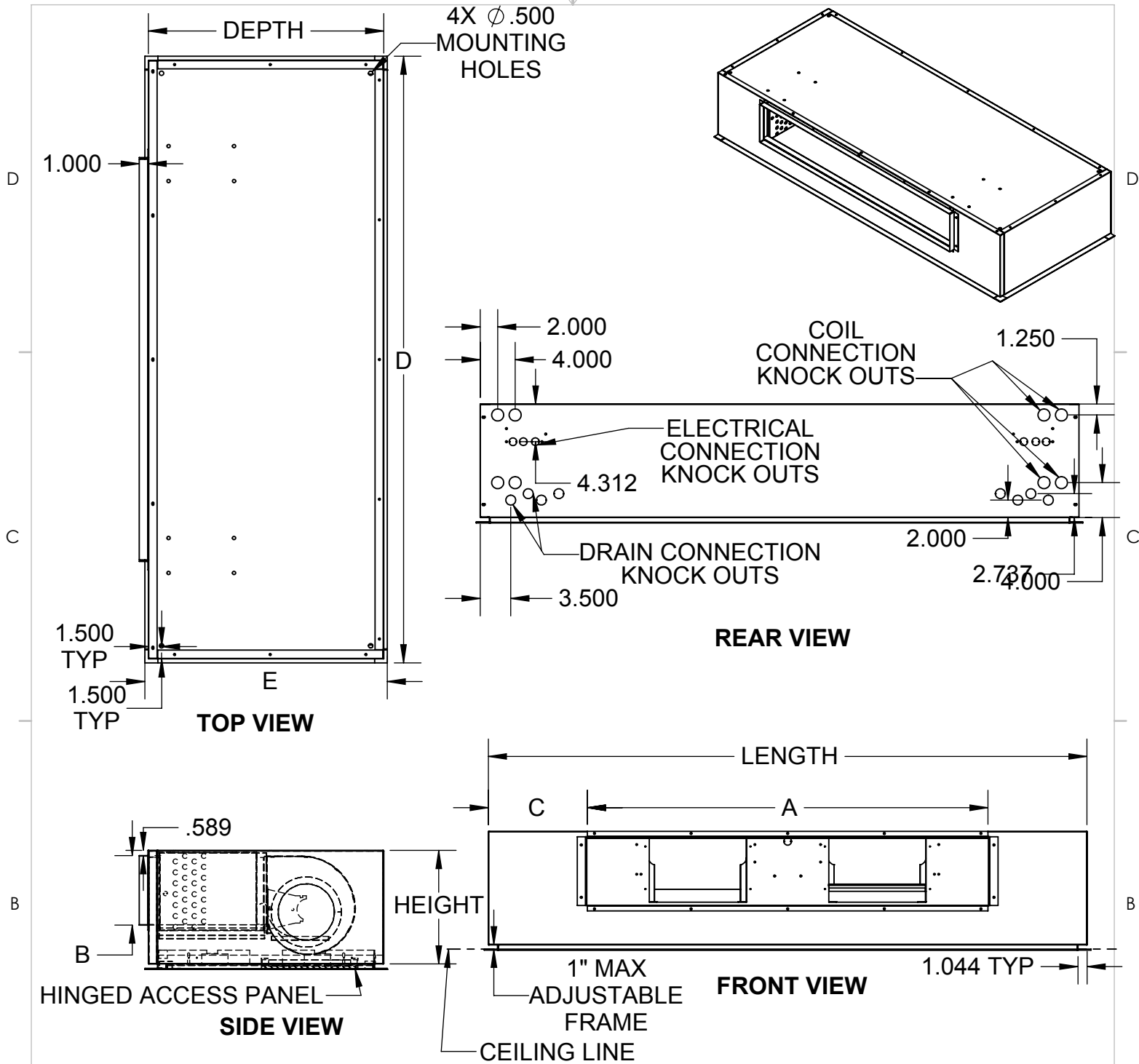
10" HANDED & 8" OPPOSITE CABINET EXTENTION & EXTENDED DRAIN PAN

RIGHT HAND SHOWN

MODEL	A	B	C	D	E	F	G	H	J	K	L	M	N	P	FILTER SIZE
LH 002-003	64 1/2	27	11	6 3/8	19 1/8	27 3/4	65 1/2	61 1/2	25 1/8	10 1/2	29	2 1/2	7	21 3/4	(1) 8x30x1
400	64 1/2	27	11	6 3/8	25 1/8	27 3/4	65 1/2	61 1/2	24 1/8	10 1/2	29	2 1/2	7	18 11/16	(1) 8x30x1
600	72 1/2	27	12	6 3/8	31 1/8	27 3/4	73 1/2	69 1/2	24 1/8	10 1/2	39	2 1/2	7	19 11/16	(2) 8x40x1
800	72 1/2	27	12	7 5/8	31 1/8	27 3/4	73 1/2	69 1/2	24 1/8	10 1/2	39	2 1/2	7	19 11/16	(2) 8x20x1
1000	78 1/2	27	12	7 5/8	37 1/8	27 3/4	79 1/2	75 1/2	24 1/8	10	49	2 1/2	7	19 11/16	(2) 8x25x1
1200	78 1/2	27	12	7 5/8	43 1/8	27 3/4	79 1/2	75 1/2	24 1/8	10	49	2 1/2	7	16 11/16	(2) 8x25x1

FRONT DUCTED REAR RETURN
 FLUSH
 REV A

D107636



10" HANDED & 8" OPPOSITE CABINET EXTENSION & EXTENDED DRAIN PAN

OVERALL				SUPPLY DUCT			FRAME		RIGHT HAND SHOWN	
UNIT SIZE	LENGTH	HEIGHT	DEPTH	A	B	C	D	E	BLOWERS	FILTER SIZE
002-003	64.5	11	27	18.25	6.38	22.13	65.5	27.75	1	(2) 11x20x1
004	64.5	11	27	24.25	6.38	19.13	65.5	27.75	2	(2) 11x20x1
006	72.5	11	27	32.25	6.38	19.13	73.5	27.75	2	(2) 11x24x1
008	72.5	13	27	32.25	8	19.13	73.5	27.75	2	(2) 11x24x1
010	86.5	13	27	38.25	8	23.13	87.5	27.75	2	(2) 11x27x1
012	86.5	13	27	46.25	8	19.13	87.5	27.75	2	(2) 11x27x1

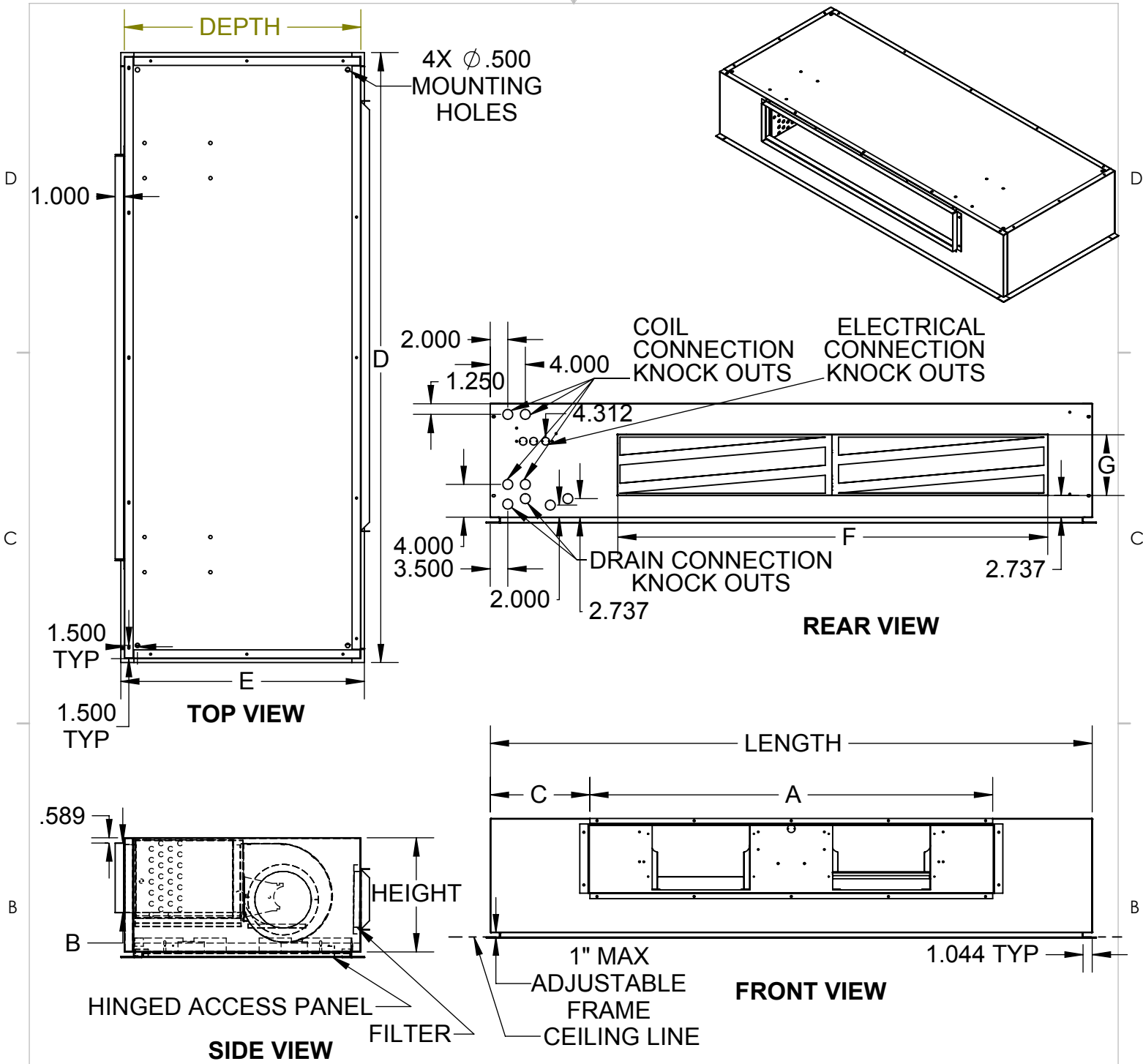
PROPRIETARY AND CONFIDENTIAL
 THE INFORMATION CONTAINED IN THIS DOCUMENT IS THE SOLE PROPERTY OF WILLIAMS FURNACE COMPANY. ANY REPRODUCTION IN PART OR AS A WHOLE WITHOUT THE WRITTEN PERMISSION OF WILLIAMS FURNACE COMPANY IS PROHIBITED.

TITLE:
 LH.Flush
 Unit Revision Level B

DWG. NO.
 D107653

REV
 B

DRAWING NOT TO SCALE



RIGHT HAND SHOWN

10" HANDED & 8" OPPOSITE CABINET EXTENTION & EXTENDED DRIAN PAN

OVERALL				SUPPLY DUCT			FRAME		RETURN DUCT		BLOWERS	FILTER SIZE
UNIT SIZE	LENGTH	HEIGHT	DEPTH	A	B	C	D	E	F	G		
002-003	64.5	11	27	18.25	6.38	22.13	65.5	27.75	29	7	1	(1) 8x30x1
004	64.5	11	27	24.25	6.38	19.13	65.5	27.75	29	7	2	(1) 8x30x1
006	72.5	11	27	32.25	6.38	19.13	73.5	27.75	39	7	2	(2) 8x20x1
008	72.5	13	27	32.25	8	19.13	73.5	27.75	39	9	2	(2) 8x20x1
010	86.5	13	27	38.25	8	23.13	87.5	27.75	49	9	2	(2) 8x25x1
012	86.5	13	27	46.25	8	19.13	87.5	27.75	49	9	2	(2) 8x25x1

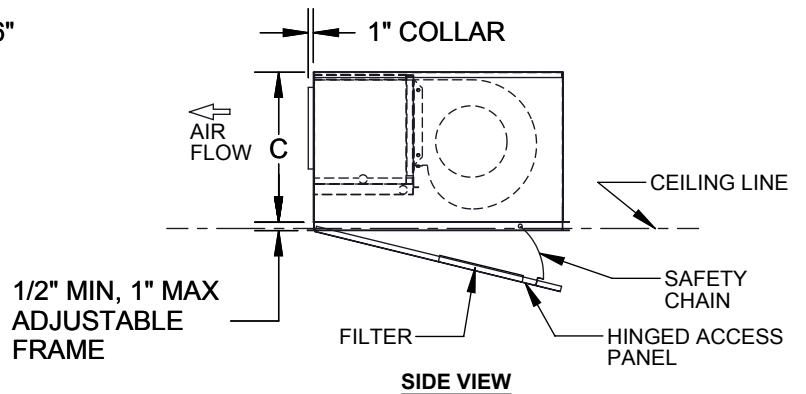
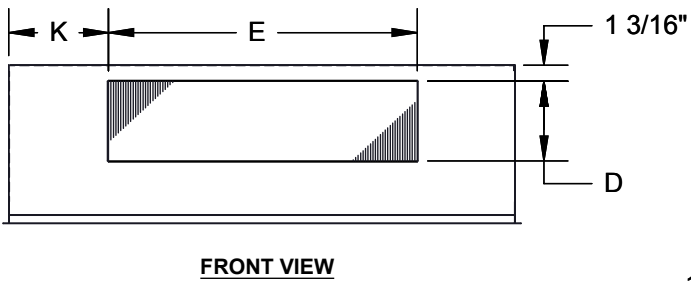
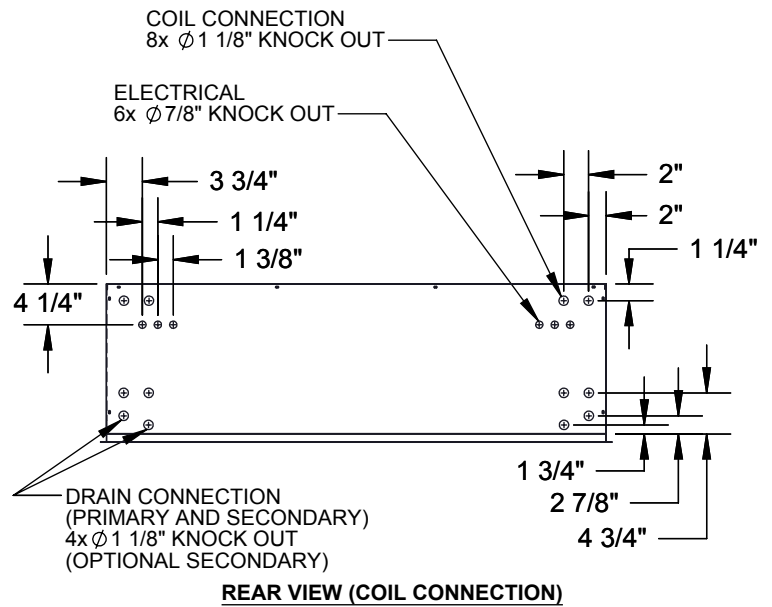
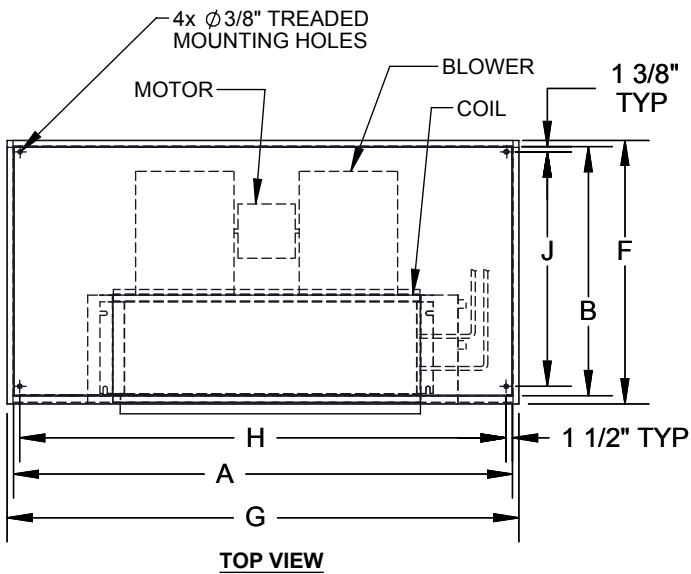
PROPRIETARY AND CONFIDENTIAL
 THE INFORMATION CONTAINED IN THIS DOCUMENT IS THE SOLE PROPERTY OF THE MANUFACTURER. ANY REPRODUCTION IN PART OR AS A WHOLE WITHOUT WRITTEN PERMISSION IS PROHIBITED.

TITLE:
 LH.Flush
 Unit Revision Level B

DWG. NO.
 D107581

REV
 B

DRAWING NOT TO SCALE



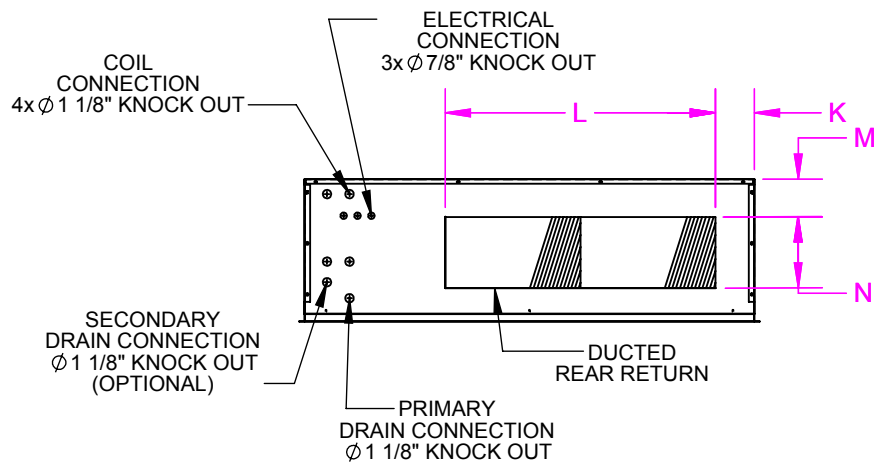
10" HANDED & 10" OPPOSITE CABINET EXTENTION & EXTENDED DRAIN PAN

RIGHT HAND SHOWN

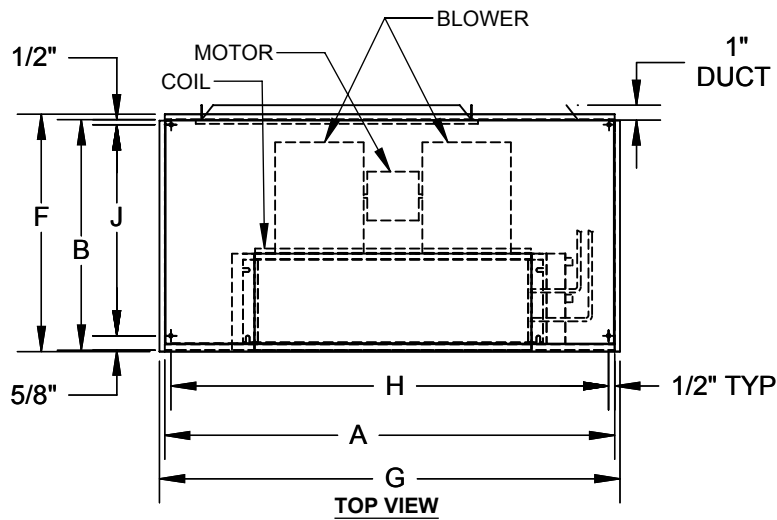
MODEL	A	B	C	D	E	F	G	H	J	K	BLOWER QTY	FILTER SIZE
200-300	66 1/2	27	11	6 3/8	19 1/8	27 3/4	67 1/2	63 1/2	24 1/8	23 3/4	1	(2) 11x20x1
400	66 1/2	27	11	6 3/8	25 1/8	27 3/4	67 1/2	63 1/2	24 1/8	20 11/16	2	(2) 11x20x1
600	74 1/2	27	12	6 3/8	31 1/8	27 3/4	75 1/2	75 1/2	24 1/8	21 11/16	2	(2) 11x24x1
800	74 1/2	27	12	7 5/8	31 1/8	27 3/4	75 1/2	75 1/2	24 1/8	21 11/16	2	(2) 11x24x1
1000	80 1/2	27	12	7 5/8	37 1/8	27 3/4	80 1/2	77 1/2	24 1/8	21 11/16	2	(2) 11x27x1
1200	80 1/2	27	12	7 5/8	43 1/8	27 3/4	80 1/5	77 1/2	24 1/8	18 11/16	2	(2) 11x27x1

BOTTOM STAMPED
LH-FLUSH
REV A

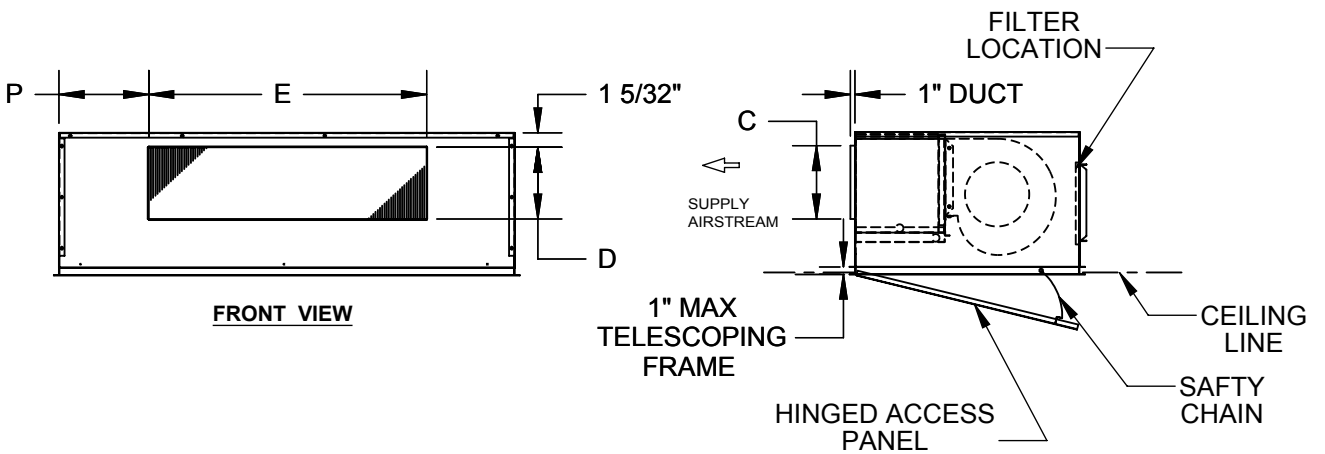
D107691



REAR VIEW



TOP VIEW



FRONT VIEW

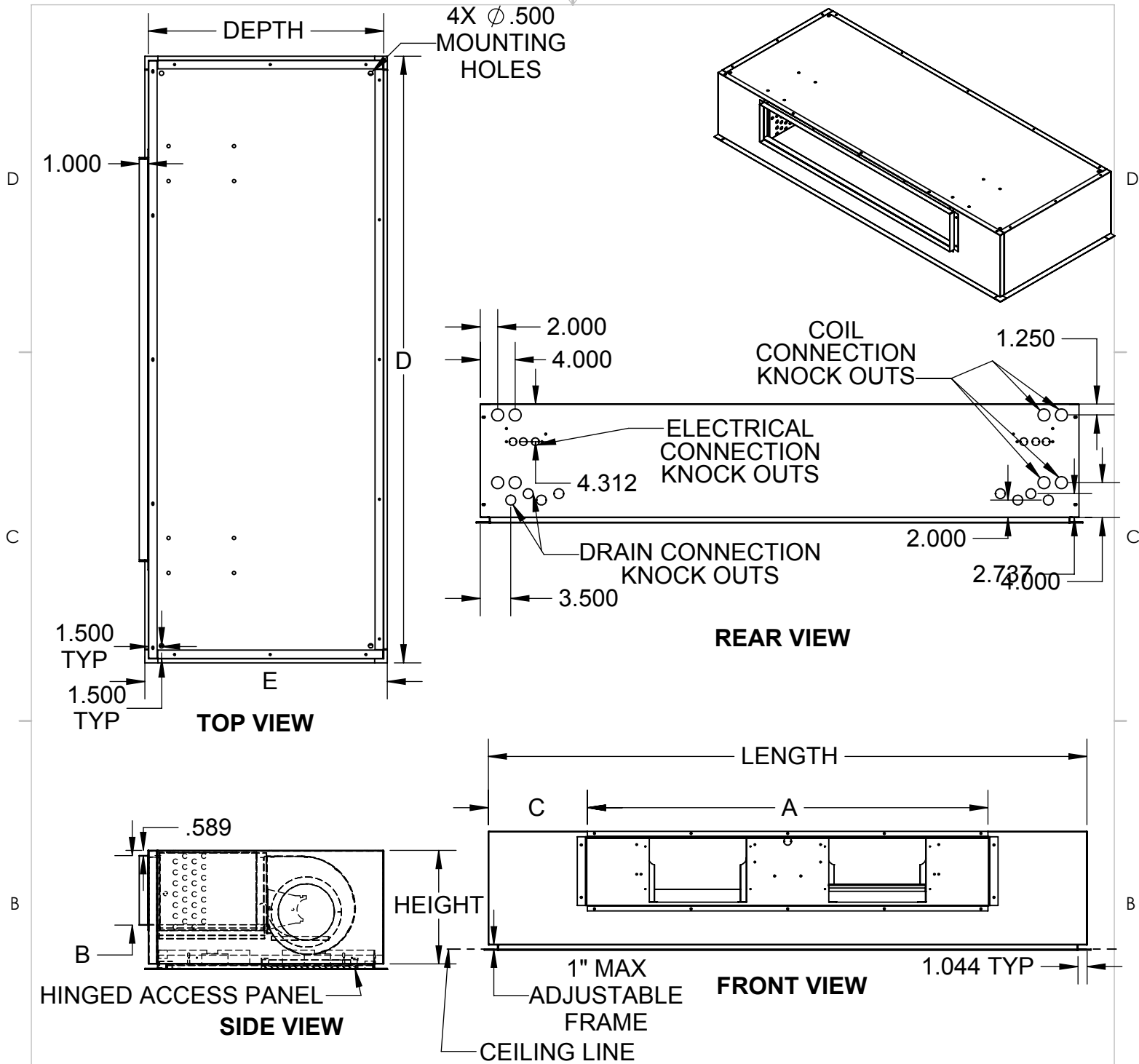
10" HANDED & 10" OPPOSITE CABINET EXTENTION & EXTENDED DRAIN PAN

RIGHT HAND SHOWN

MODEL	A	B	C	D	E	F	G	H	J	K	L	M	N	P	FILTER SIZE
LH 002-003	66 1/2	27	11	6 3/8	19 1/8	27 3/4	67 1/2	63 1/2	25 1/8	12 1/2	29	2 1/2	7	23 3/4	(1) 8x30x1
400	66 1/2	27	11	6 3/8	25 1/8	27 3/4	67 1/2	63 1/2	24 1/8	12 1/2	29	2 1/2	7	20 11/16	(1) 8x30x1
600	74 1/2	27	12	6 3/8	31 1/8	27 3/4	75 1/2	71 1/2	24 1/8	12 1/2	39	2 1/2	7	21 11/16	(2) 8x40x1
800	74 1/2	27	12	7 5/8	31 1/8	27 3/4	75 1/2	71 1/2	24 1/8	12 1/2	39	2 1/2	7	21 11/16	(2) 8x20x1
1000	80 1/2	27	12	7 5/8	37 1/8	27 3/4	81 1/2	77 1/2	24 1/8	12	49	2 1/2	7	21 11/16	(2) 8x25x1
1200	80 1/2	27	12	7 5/8	43 1/8	27 3/4	81 1/2	77 1/2	24 1/8	12	49	2 1/2	7	18 11/16	(2) 8x25x1

FRONT DUCTED REAR RETURN
 FLUSH
 REV A

D107637



10" HANDED & 10" OPPOSITE CABINET EXTENTION & EXTENDED DRAIN PAN

OVERALL				SUPPLY DUCT			FRAME		RIGHT HAND SHOWN	
UNIT SIZE	LENGTH	HEIGHT	DEPTH	A	B	C	D	E	BLOWERS	FILTER SIZE
002-003	66.5	11	27	18.25	6.38	24.13	67.5	27.75	1	(2) 11x20x1
004	66.5	11	27	24.25	6.38	21.13	67.5	27.75	2	(2) 11x20x1
006	74.5	11	27	32.25	6.38	21.13	75.5	27.75	2	(2) 11x24x1
008	74.5	13	27	32.25	8	21.13	75.5	27.75	2	(2) 11x24x1
010	88.5	13	27	38.25	8	25.13	89.5	27.75	2	(2) 11x27x1
012	88.5	13	27	46.25	8	21.13	89.5	27.75	2	(2) 11x27x1

PROPRIETARY AND CONFIDENTIAL
 THE INFORMATION CONTAINED IN THIS DOCUMENT IS THE SOLE PROPERTY OF WILLIAMS FURNACE COMPANY. ANY REPRODUCTION IN PART OR AS A WHOLE WITHOUT THE WRITTEN PERMISSION OF WILLIAMS FURNACE COMPANY IS PROHIBITED.

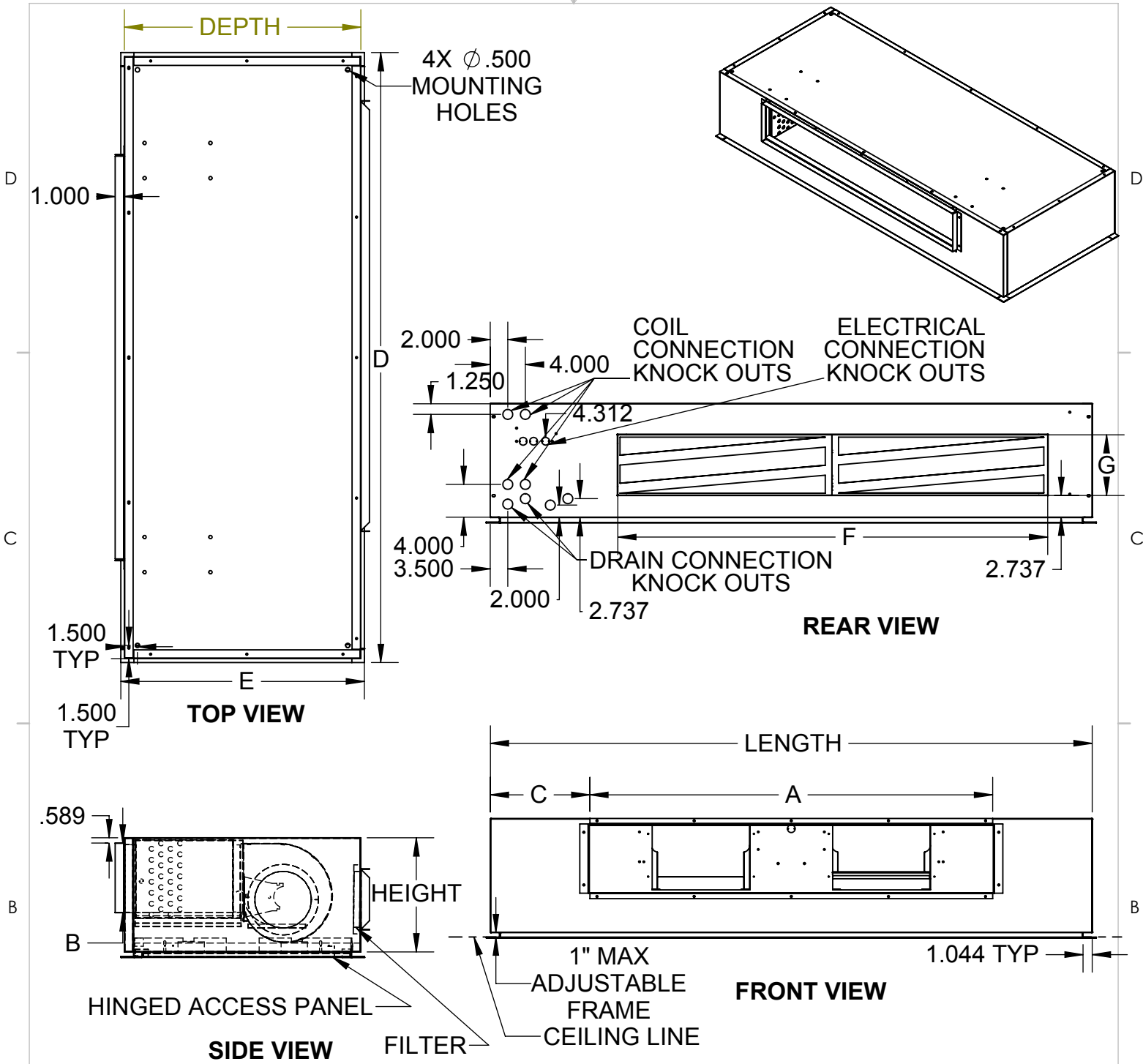
DRAWING NOT TO SCALE

TITLE:

LH.Flush
 Unit Revision Level B

DWG. NO.
 D107654

REV
 B



RIGHT HAND SHOWN

10" HANDED & 10" OPPOSITE CABINET EXTENTION & EXTENDED DRIAN PAN

OVERALL				SUPPLY DUCT			FRAME		RETURN DUCT		BLOWERS	FILTER SIZE
UNIT SIZE	LENGTH	HEIGHT	DEPTH	A	B	C	D	E	F	G		
002-003	66.5	11	27	18.25	6.38	24.13	67.5	27.75	29	7	1	(1) 8x30x1
004	66.5	11	27	24.25	6.38	21.13	67.5	27.75	29	7	2	(1) 8x30x1
006	74.5	11	27	32.25	6.38	21.13	75.5	27.75	39	7	2	(2) 8x20x1
008	74.5	13	27	32.25	8	21.13	75.5	27.75	39	9	2	(2) 8x20x1
010	88.5	13	27	38.25	8	25.13	89.5	27.75	49	9	2	(2) 8x25x1
012	88.5	13	27	46.25	8	21.13	89.5	27.75	49	9	2	(2) 8x25x1

PROPRIETARY AND CONFIDENTIAL
 THE INFORMATION CONTAINED IN THIS DOCUMENT IS THE SOLE PROPERTY OF THE MANUFACTURER. ANY REPRODUCTION IN PART OR AS A WHOLE WITHOUT WRITTEN PERMISSION IS PROHIBITED.

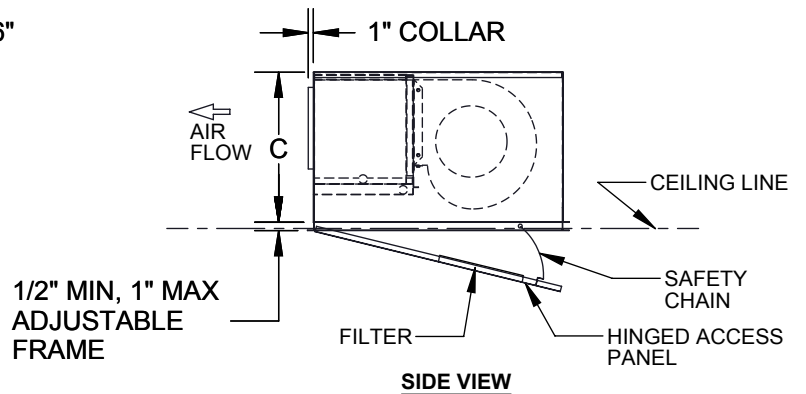
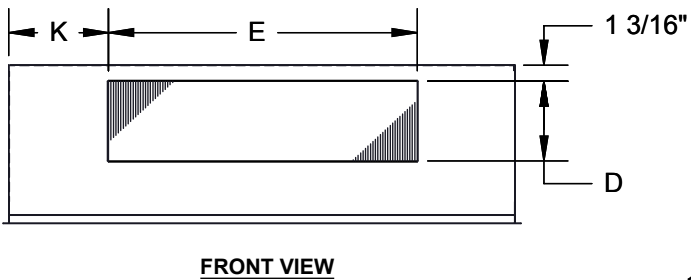
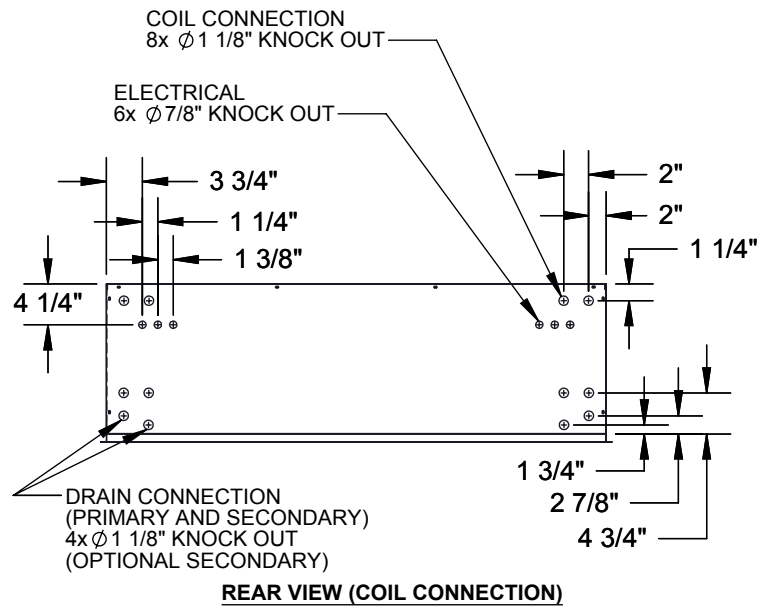
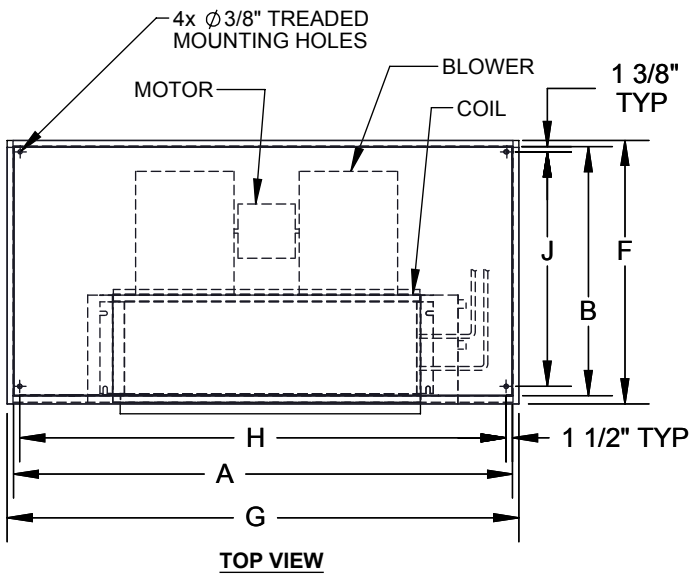
TITLE:

LH.Flush
 Unit Revision Level B

DWG. NO.
 D107582

REV
 B

DRAWING NOT TO SCALE



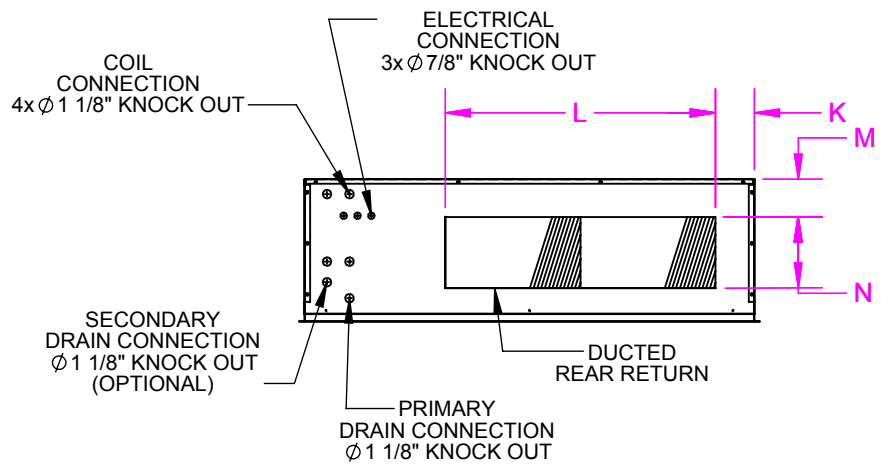
10" HANDED SIDE CABINET EXTENDED DRAIN PAN

RIGHT HAND SHOWN

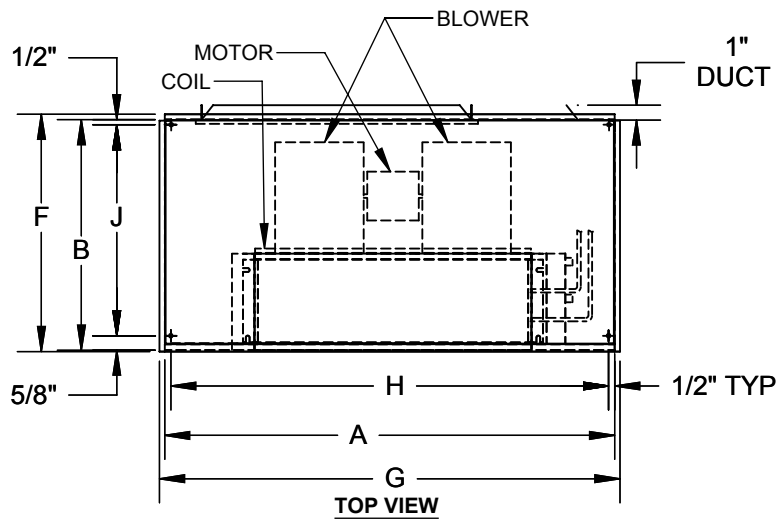
MODEL	A	B	C	D	E	F	G	H	J	K	BLOWER QTY	FILTER SIZE
200-300	56 1/2	27	11	6 3/8	19 1/8	27 3/4	57 1/2	53 1/2	24 1/8	13 3/4	1	(2) 11x20x1
400	56 1/2	27	11	6 3/8	25 1/8	27 3/4	57 1/2	53 1/2	24 1/8	10 11/16	2	(2) 11x20x1
600	64 1/2	27	12	6 3/8	31 1/8	27 3/4	65 1/2	65 1/2	24 1/8	11 11/16	2	(2) 11x24x1
800	64 1/2	27	12	7 5/8	31 1/8	27 3/4	65 1/2	65 1/2	24 1/8	11 11/16	2	(2) 11x24x1
1000	70 1/2	27	12	7 5/8	37 1/8	27 3/4	70 1/2	67 1/2	24 1/8	11 11/16	2	(2) 11x27x1
1200	70 1/2	27	12	7 5/8	43 1/8	27 3/4	70 1/5	67 1/2	24 1/8	8 11/16	2	(2) 11x27x1

FRONT DUCTED BOTTOM STAMPED
FLUSH
REV A

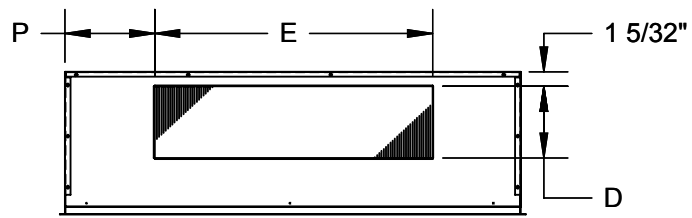
D107687



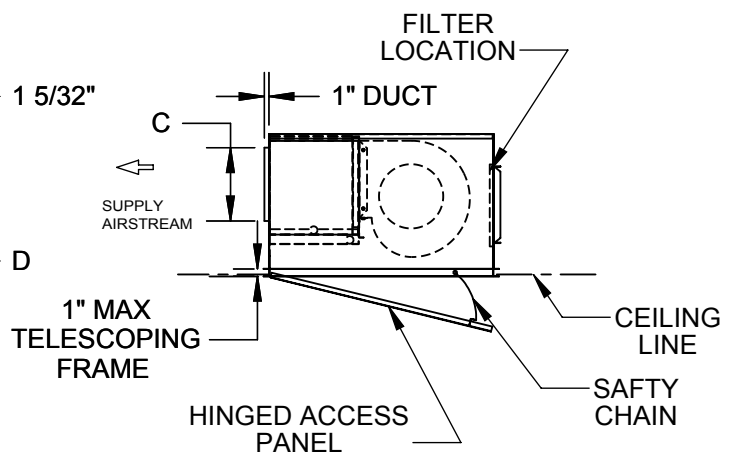
REAR VIEW



TOP VIEW



FRONT VIEW



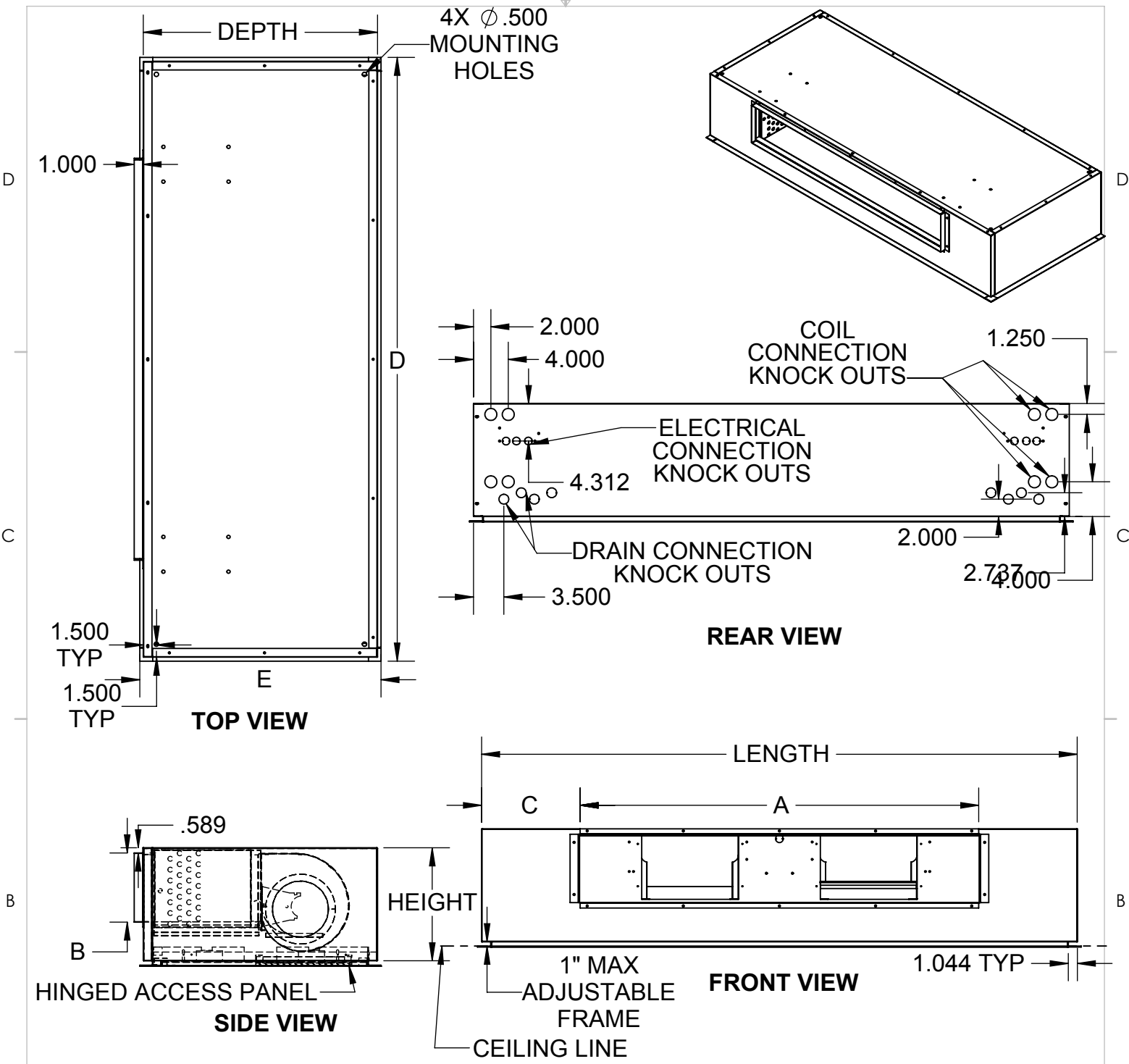
10\"/>

RIGHT HAND SHOWN

MODEL	A	B	C	D	E	F	G	H	J	K	L	M	N	P	FILTER SIZE
LH 002-003	56 1/2	27	11	6 3/8	19 1/8	27 3/4	57 1/2	53 1/2	25 1/8	2 1/2	29	2 1/2	7	13 3/4	(1) 8x30x1
400	56 1/2	27	11	6 3/8	25 1/8	27 3/4	57 1/2	53 1/2	24 1/8	2 1/2	29	2 1/2	7	10 11/16	(1) 8x30x1
600	64 1/2	27	12	6 3/8	31 1/8	27 3/4	65 1/2	61 1/2	24 1/8	2 1/2	39	2 1/2	7	11 11/16	(2) 8x40x1
800	64 1/2	27	12	7 5/8	31 1/8	27 3/4	65 1/2	61 1/2	24 1/8	2 1/2	39	2 1/2	7	11 11/16	(2) 8x20x1
1000	70 1/2	27	12	7 5/8	37 1/8	27 3/4	71 1/2	67 1/2	24 1/8	2	49	2 1/2	7	11 11/16	(2) 8x25x1
1200	70 1/2	27	12	7 5/8	43 1/8	27 3/4	71 1/2	67 1/2	24 1/8	2	49	2 1/2	7	8 11/16	(2) 8x25x1

FRONT DUCTED REAR RETURN
 FLUSH
 REV A

D107633



10" HANDED SIDE CABINET EXTENDED DRAIN PAN

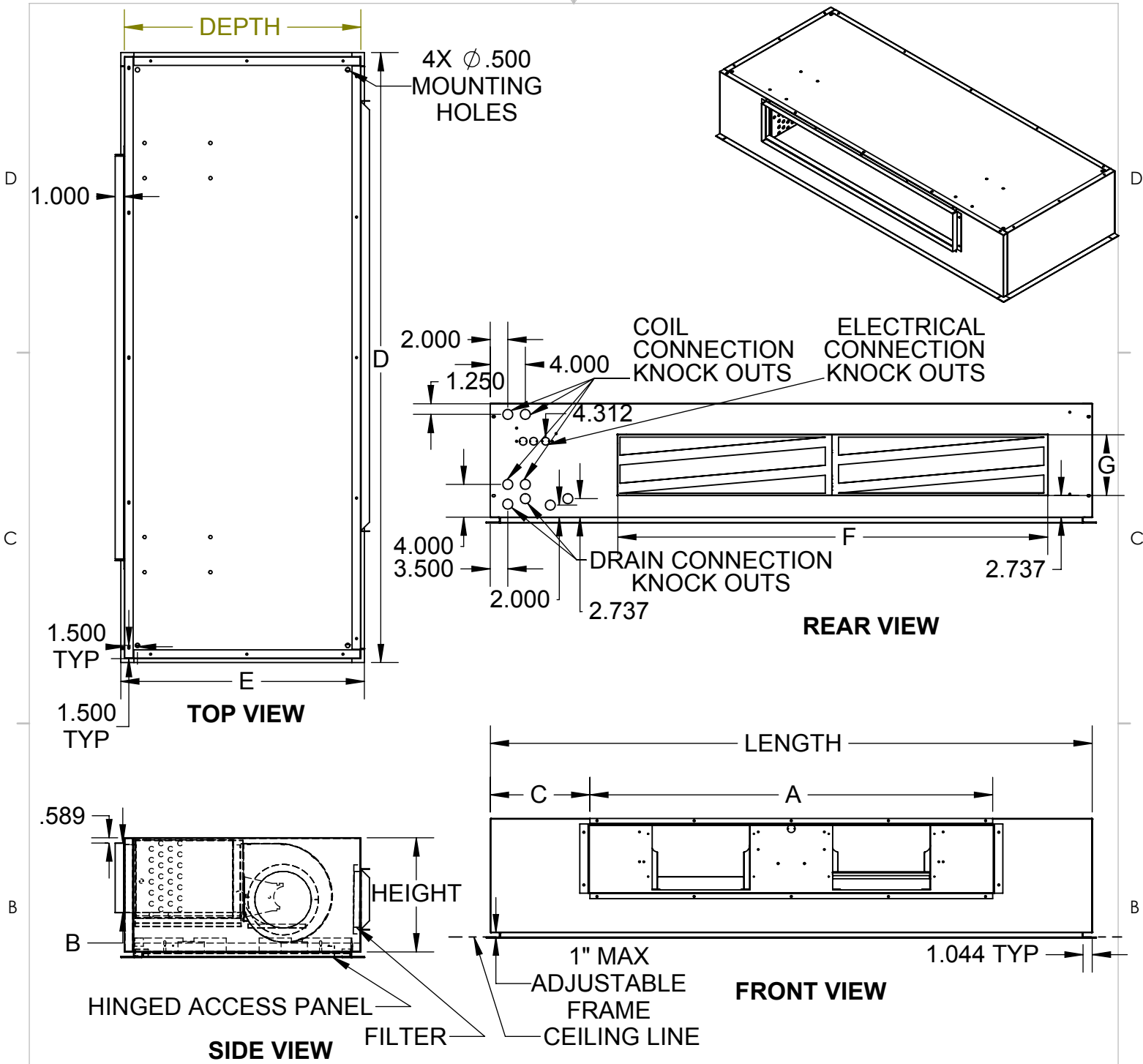
OVERALL				SUPPLY DUCT			FRAME		RIGHT HAND SHOWN	
UNIT SIZE	LENGTH	HEIGHT	DEPTH	A	B	C	D	E	BLOWERS	FILTER SIZE
002-003	56.5	11	27	18.25	6.38	14.13	57.5	27.75	1	(2) 11x20x1
004	56.5	11	27	24.25	6.38	11.13	57.5	27.75	2	(2) 11x20x1
006	64.5	11	27	32.25	6.38	11.13	65.5	27.75	2	(2) 11x24x1
008	64.5	13	27	32.25	8	11.13	65.5	27.75	2	(2) 11x24x1
010	78.5	13	27	38.25	8	15.13	79.5	27.75	2	(2) 11x27x1
012	78.5	13	27	46.25	8	11.13	79.5	27.75	2	(2) 11x27x1

PROPRIETARY AND CONFIDENTIAL
 THE INFORMATION CONTAINED IN THIS DOCUMENT IS THE SOLE PROPERTY OF WILLIAMS FURNACE COMPANY. ANY REPRODUCTION IN PART OR AS A WHOLE WITHOUT THE WRITTEN PERMISSION OF WILLIAMS FURNACE COMPANY IS PROHIBITED.

TITLE:
 LH.Flush
 Unit Revision Level B

DWG. NO. D107650
 REV B

DRAWING NOT TO SCALE



RIGHT HAND SHOWN

10" HANDED CABINET EXTENDED DRAIN PAN

OVERALL				SUPPLY DUCT			FRAME		RETURN DUCT		BLOWERS	FILTER SIZE
UNIT SIZE	LENGTH	HEIGHT	DEPTH	A	B	C	D	E	F	G		
002-003	56.5	11	27	18.25	6.38	14.13	57.5	27.75	29	7	1	(1) 8x30x1
004	56.5	11	27	24.25	6.38	11.13	57.5	27.75	29	7	2	(1) 8x30x1
006	64.5	11	27	32.25	6.38	11.13	65.5	27.75	39	7	2	(2) 8x20x1
008	64.5	13	27	32.25	8	11.13	65.5	27.75	39	9	2	(2) 8x20x1
010	78.5	13	27	38.25	8	15.13	79.5	27.75	49	9	2	(2) 8x25x1
012	78.5	13	27	46.25	8	11.13	79.5	27.75	49	9	2	(2) 8x25x1

PROPRIETARY AND CONFIDENTIAL
 THE INFORMATION CONTAINED IN THIS DOCUMENT IS THE SOLE PROPERTY OF THE MANUFACTURER. ANY REPRODUCTION IN PART OR AS A WHOLE WITHOUT WRITTEN PERMISSION IS PROHIBITED.

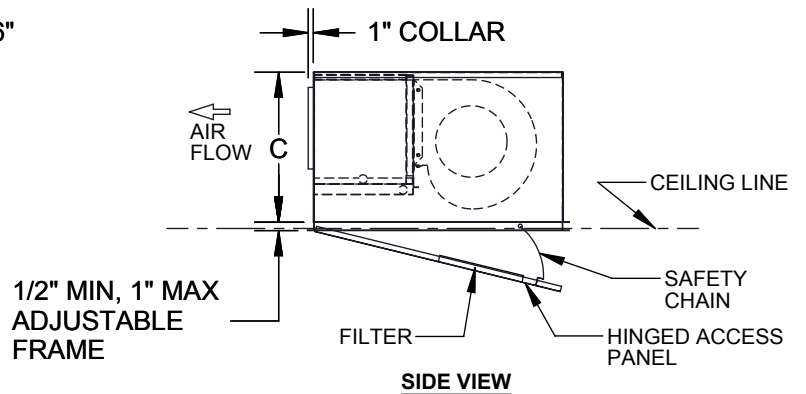
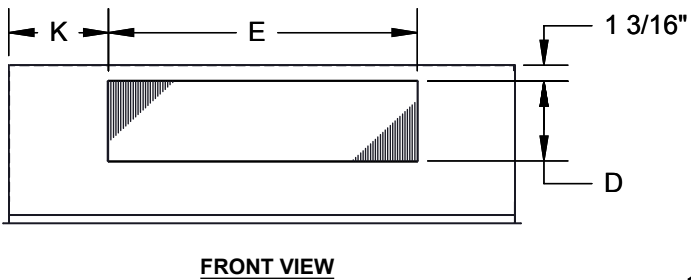
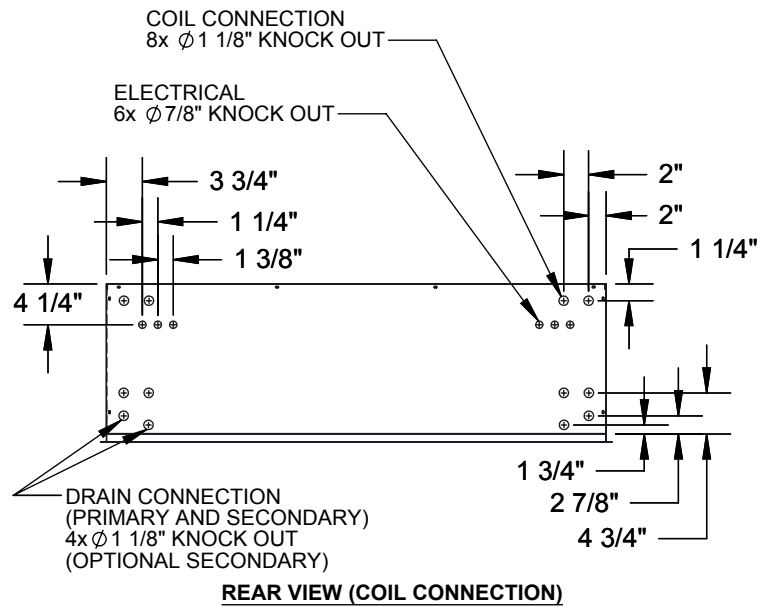
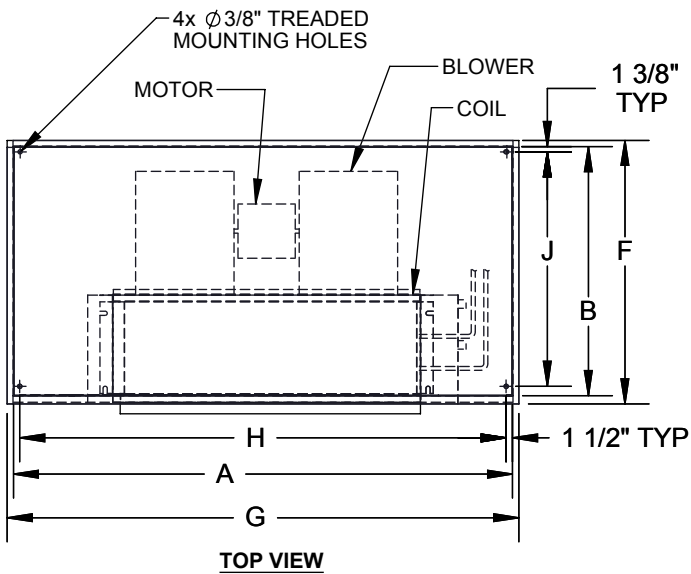
TITLE:

LH.Flush
 Unit Revision Level B

DWG. NO.
 D107570

REV
 B

DRAWING NOT TO SCALE



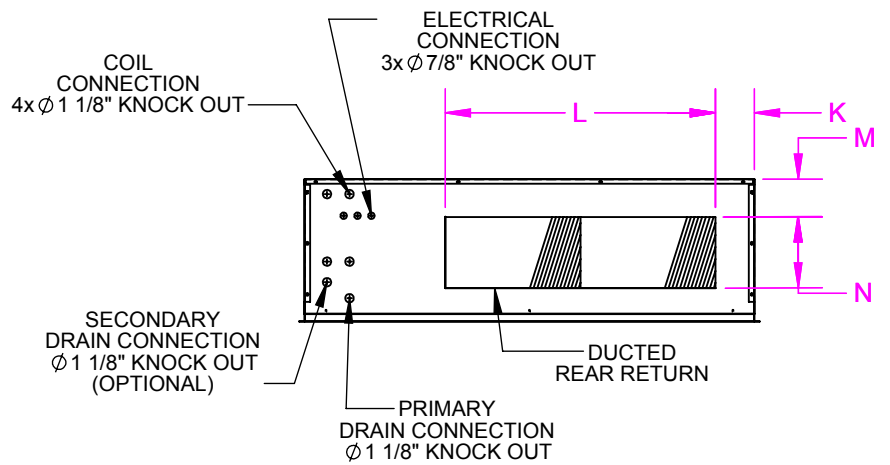
10" OPPOSITE CABINET EXTENSION

RIGHT HAND SHOWN

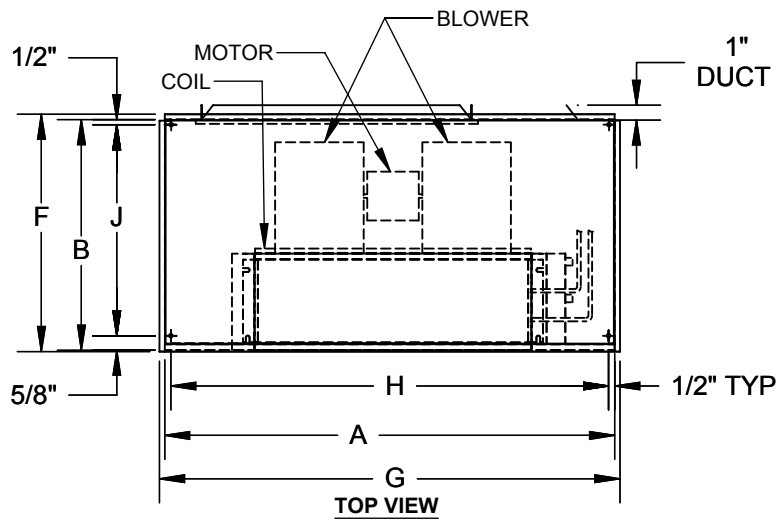
MODEL	A	B	C	D	E	F	G	H	J	K	BLOWER QTY	FILTER SIZE
200-300	56 1/2	27	11	6 3/8	19 1/8	27 3/4	57 1/2	53 1/2	24 1/8	23 3/4	1	(2) 11x20x1
400	56 1/2	27	11	6 3/8	25 1/8	27 3/4	57 1/2	53 1/2	24 1/8	20 11/16	2	(2) 11x20x1
600	64 1/2	27	12	6 3/8	31 1/8	27 3/4	65 1/2	65 1/2	24 1/8	21 11/16	2	(2) 11x24x1
800	64 1/2	27	12	7 5/8	31 1/8	27 3/4	65 1/2	65 1/2	24 1/8	21 11/16	2	(2) 11x24x1
1000	70 1/2	27	12	7 5/8	37 1/8	27 3/4	70 1/2	67 1/2	24 1/8	21 11/16	2	(2) 11x27x1
1200	70 1/2	27	12	7 5/8	43 1/8	27 3/4	70 1/5	67 1/2	24 1/8	18 11/16	2	(2) 11x27x1

FRONT DUCTED BOTTOM STAMPED
FLUSH
REV A

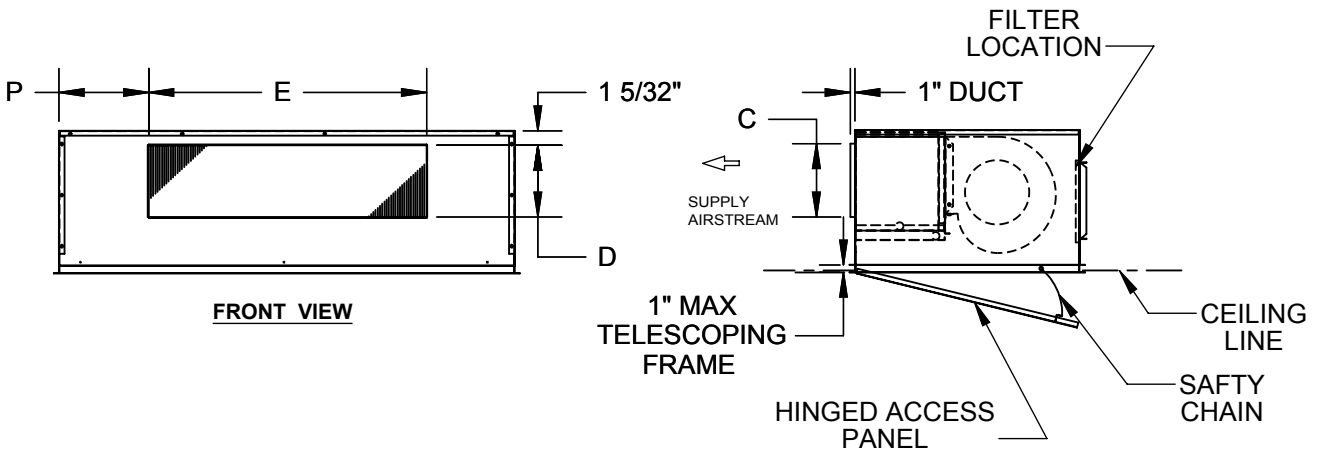
D107688



REAR VIEW



TOP VIEW



FRONT VIEW

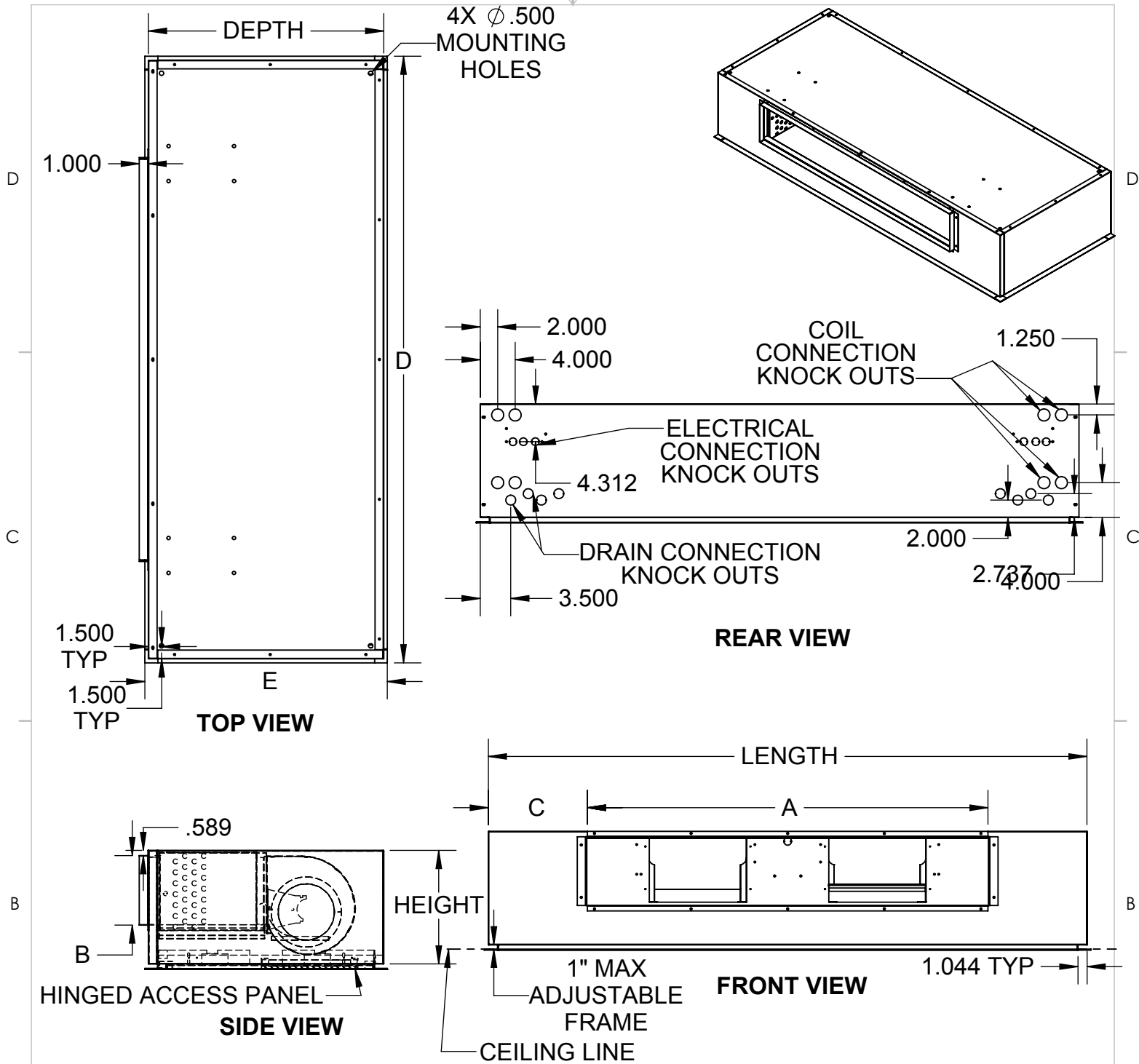
10" OPPOSITE CABINET EXTENSION

RIGHT HAND SHOWN

MODEL	A	B	C	D	E	F	G	H	J	K	L	M	N	P	FILTER SIZE
LH 002-003	56 1/2	27	11	6 3/8	19 1/8	27 3/4	57 1/2	53 1/2	25 1/8	12 1/2	29	2 1/2	7	23 3/4	(1) 8x30x1
400	56 1/2	27	11	6 3/8	25 1/8	27 3/4	57 1/2	53 1/2	24 1/8	12 1/2	29	2 1/2	7	20 11/16	(1) 8x30x1
600	64 1/2	27	12	6 3/8	31 1/8	27 3/4	65 1/2	61 1/2	24 1/8	12 1/2	39	2 1/2	7	21 11/16	(2) 8x40x1
800	64 1/2	27	12	7 5/8	31 1/8	27 3/4	65 1/2	61 1/2	24 1/8	12 1/2	39	2 1/2	7	21 11/16	(2) 8x20x1
1000	70 1/2	27	12	7 5/8	37 1/8	27 3/4	71 1/2	67 1/2	24 1/8	12	49	2 1/2	7	21 11/16	(2) 8x25x1
1200	70 1/2	27	12	7 5/8	43 1/8	27 3/4	71 1/2	67 1/2	24 1/8	12	49	2 1/2	7	18 11/16	(2) 8x25x1

FRONT DUCTED REAR RETURN
 FLUSH
 REV A

D107634



10" OPPOSITE CABINET EXTENSION

UNIT SIZE	OVERALL			SUPPLY DUCT			FRAME		RIGHT HAND SHOWN	
	LENGTH	HEIGHT	DEPTH	A	B	C	D	E	BLOWERS	FILTER SIZE
002-003	56.5	11	27	18.25	6.38	24.13	57.5	27.75	1	(2) 11x20x1
004	56.5	11	27	24.25	6.38	21.13	57.5	27.75	2	(2) 11x20x1
006	64.5	11	27	32.25	6.38	21.13	65.5	27.75	2	(2) 11x24x1
008	64.5	13	27	32.25	8	21.13	65.5	27.75	2	(2) 11x24x1
010	78.5	13	27	38.25	8	25.13	79.5	27.75	2	(2) 11x27x1
012	78.5	13	27	46.25	8	21.13	79.5	27.75	2	(2) 11x27x1

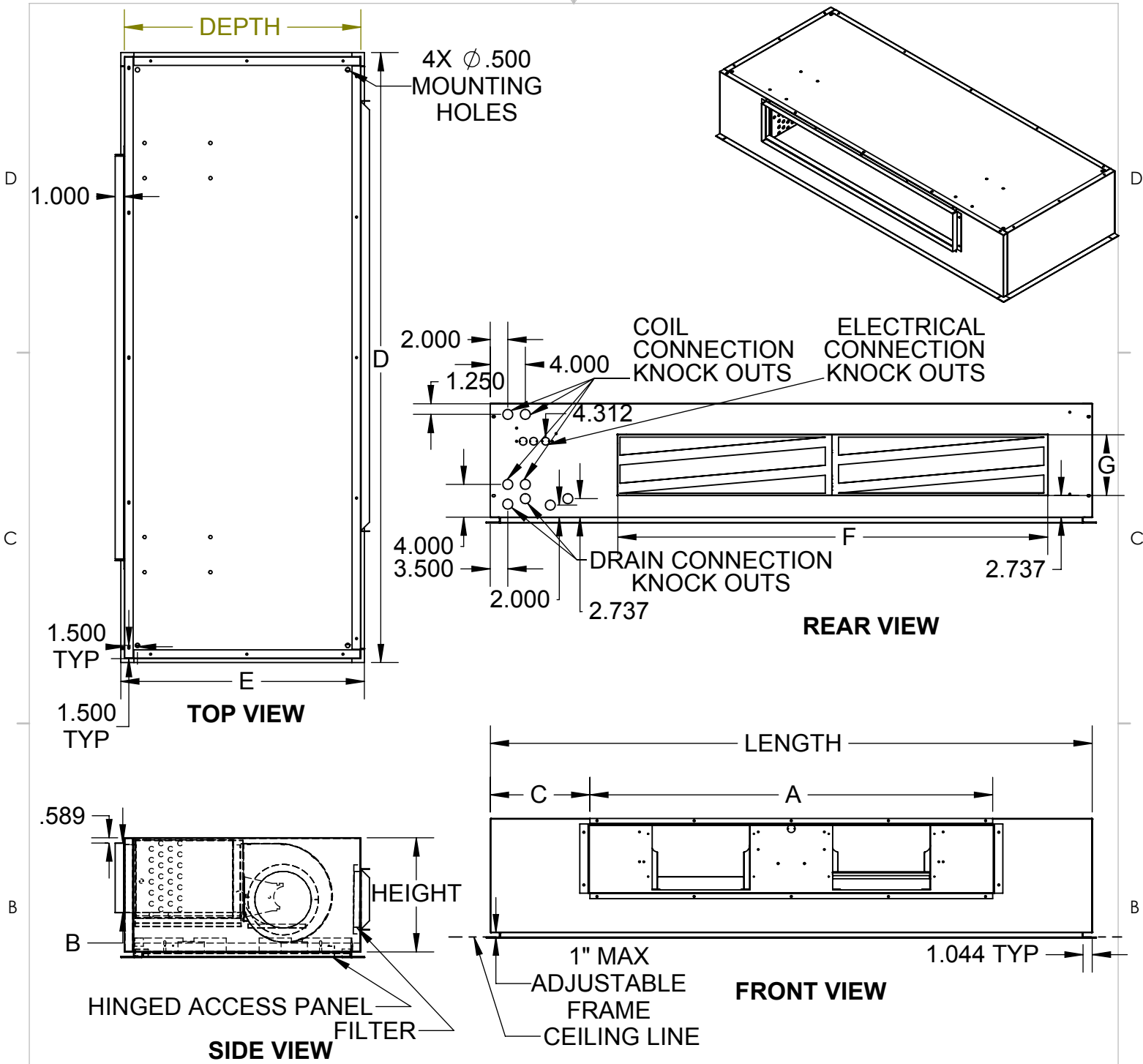
PROPRIETARY AND CONFIDENTIAL
 THE INFORMATION CONTAINED IN THIS DOCUMENT IS THE SOLE PROPERTY OF WILLIAMS FURNACE COMPANY. ANY REPRODUCTION IN PART OR AS A WHOLE WITHOUT THE WRITTEN PERMISSION OF WILLIAMS FURNACE COMPANY IS PROHIBITED.

DRAWING NOT TO SCALE

TITLE:
 LH.Flush
 Unit Revision Level B

DWG. NO.
 D107651

REV
 B



RIGHT HAND SHOWN

10" OPPOSITE CABINET EXTENSION

OVERALL				SUPPLY DUCT			FRAME		RETURN DUCT		BLOWERS	FILTER SIZE
UNIT SIZE	LENGTH	HEIGHT	DEPTH	A	B	C	D	E	F	G		
002-003	56.5	11	27	18.25	6.38	24.13	57.5	27.75	29	7	1	(1) 8x30x1
004	56.5	11	27	24.25	6.38	21.13	57.5	27.75	29	7	2	(1) 8x30x1
006	64.5	11	27	32.25	6.38	21.13	65.5	27.75	39	7	2	(2) 8x20x1
008	64.5	13	27	32.25	8	21.13	65.5	27.75	39	9	2	(2) 8x20x1
010	78.5	13	27	38.25	8	25.13	79.5	27.75	49	9	2	(2) 8x25x1
012	78.5	13	27	46.25	8	21.13	79.5	27.75	49	9	2	(2) 8x25x1

PROPRIETARY AND CONFIDENTIAL
 THE INFORMATION CONTAINED IN THIS DOCUMENT IS THE SOLE PROPERTY OF THE MANUFACTURER. ANY REPRODUCTION IN PART OR AS A WHOLE WITHOUT WRITTEN PERMISSION IS PROHIBITED.

TITLE:

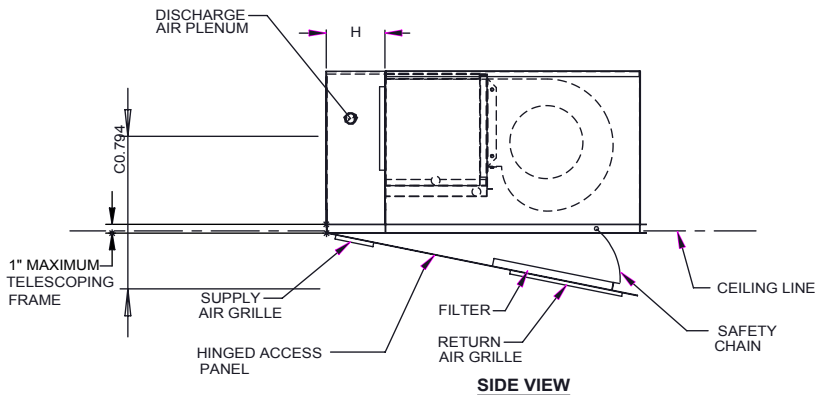
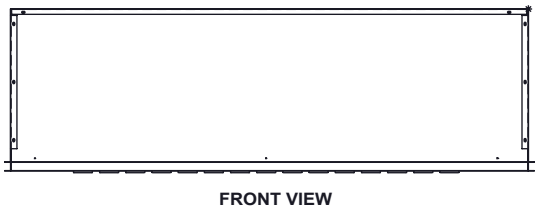
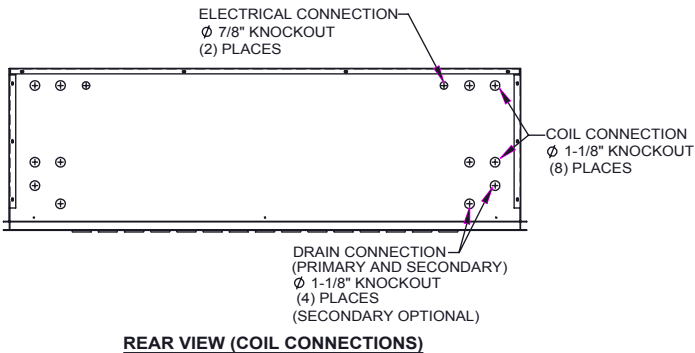
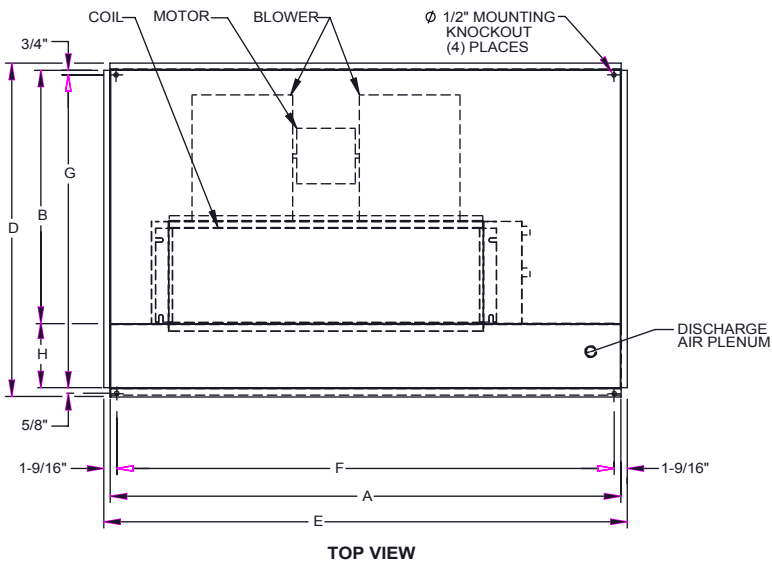
LH.Flush
 Unit Revision Level B

DWG. NO.
 D107579

REV
 B

DRAWING NOT TO SCALE

LH02/12 FLUSH, TYPE "E" WITH BOTTOM SUPPLY AND BOTTOM RETURN

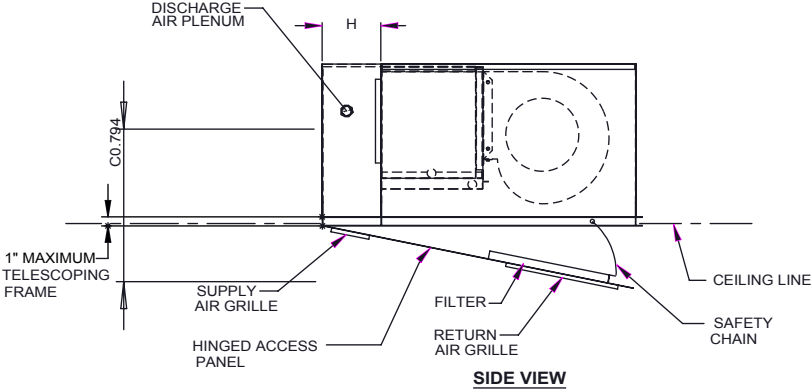
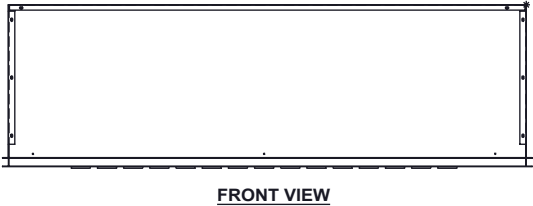
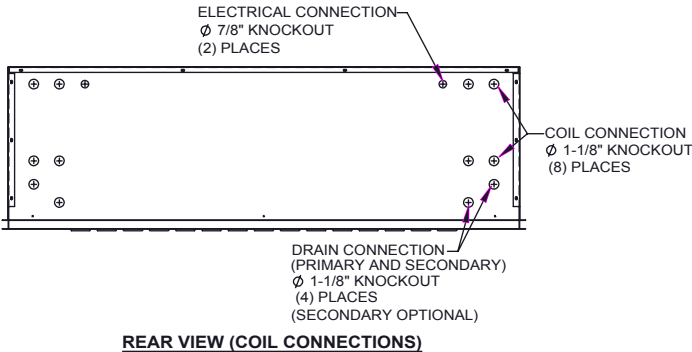
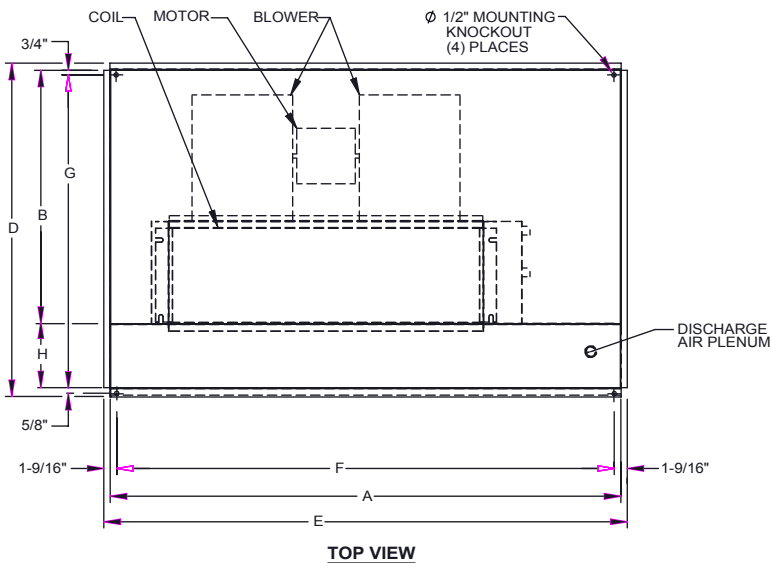


6" HANDED & 6" OPPOSITE CABINET EXTENTION & EXTENDED DRAIN PAN

RIGHT HAND SHOWN

LH-E FLUSH MOUNTED CABINET DIMENSIONS		A	B	C	D	E	F	G	H	FILTER SIZE
LH-E	MODEL									
	02/03	58	25 7/8	11	39 3/8	59 3/8	56 1/4	37 1/8	12	12" x 20" x 1"
	04	58	25 7/8	11	39 3/8	59 3/8	56 1/4	37 1/8	12	12" x 20" x 1"
	06	66	25 7/8	12	39 3/8	67 3/8	64 1/4	37 1/8	12	12" x 25" x 1"
	08	66	25 7/8	12	45 3/8	67 3/8	64 1/4	43 1/8	18	12" x 25" x 1"
	10	72	25 7/8	12	45 3/8	73 3/8	70 1/4	43 1/8	18	12" x 25" x 1"
	12	72	25 7/8	12	45 3/8	73 3/8	70 1/4	43 1/8	18	12" x 25" x 1"

LH02/12 FLUSH, TYPE "E" WITH BOTTOM SUPPLY AND BOTTOM RETURN

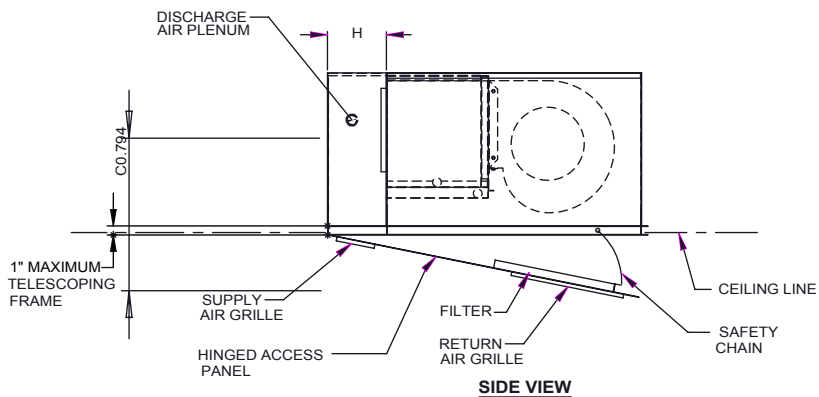
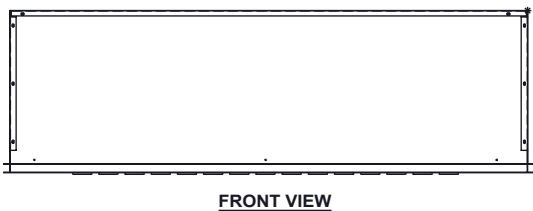
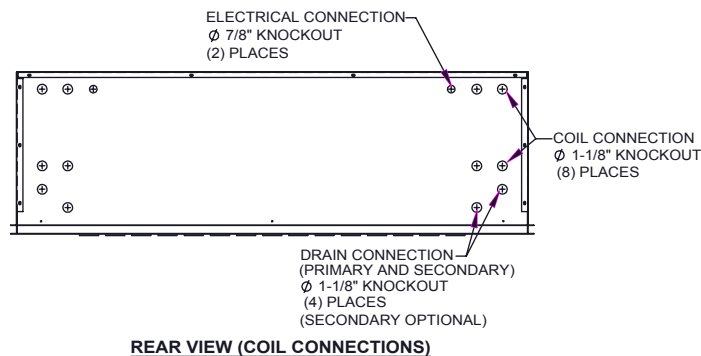
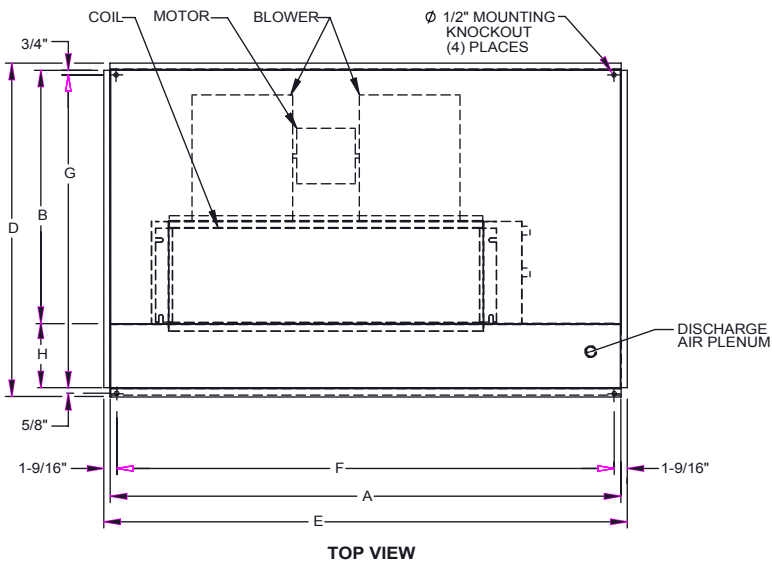


6" HANDED & 8" OPPOSITE CABINET EXTENSION & EXTENDED DRAIN PAN;
 8" HANDED & 6" OPPOSITE CABINET EXTENSION & EXTENDED DRAIN PAN

RIGHT HAND SHOWN

LH-E MODEL	LH-E FLUSH MOUNTED CABINET DIMENSIONS								
	A	B	C	D	E	F	G	H	FILTER SIZE
02/03	60	25 7/8	11	39 3/8	61 3/8	58 1/4	37 1/8	12	12" x 20" x 1"
04	60	25 7/8	11	39 3/8	61 3/8	58 1/4	37 1/8	12	12" x 20" x 1"
06	68	25 7/8	12	39 3/8	69 3/8	66 1/4	37 1/8	12	12" x 25" x 1"
08	68	25 7/8	12	45 3/8	69 3/8	66 1/4	43 1/8	18	12" x 25" x 1"
10	74	25 7/8	12	45 3/8	75 3/8	72 1/4	43 1/8	18	12" x 25" x 1"
12	74	25 7/8	12	45 3/8	75 3/8	72 1/4	43 1/8	18	12" x 25" x 1"

LH02/12 FLUSH, TYPE "E" WITH BOTTOM SUPPLY AND BOTTOM RETURN

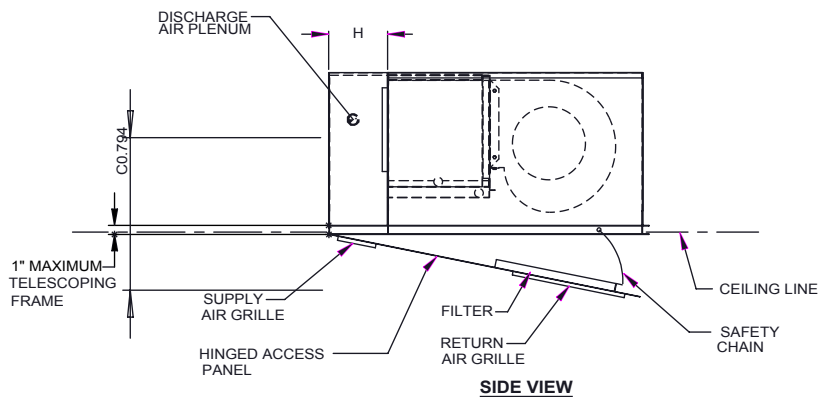
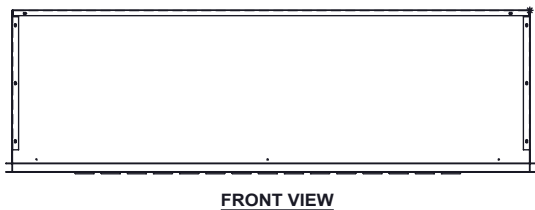
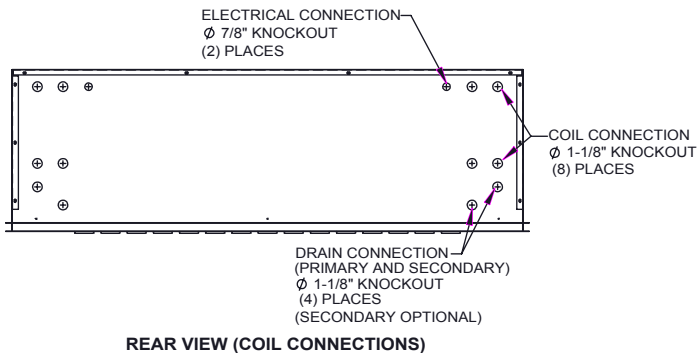
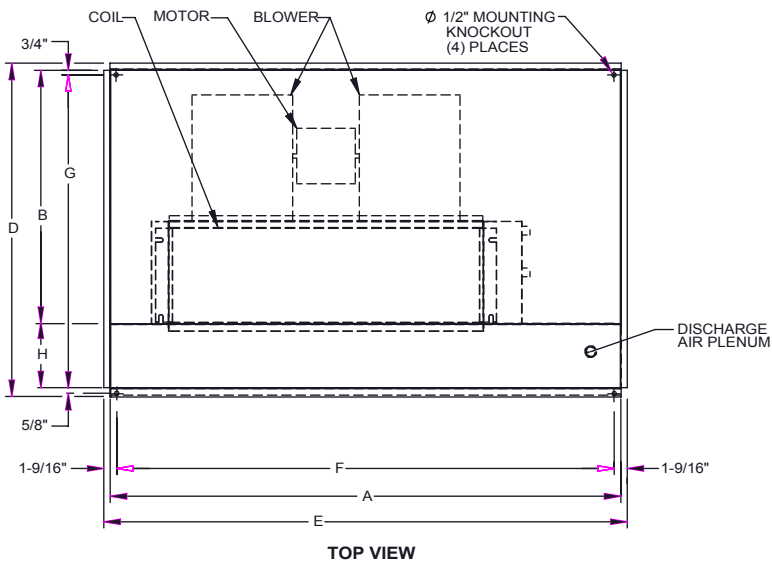


6" HANDED & 10" OPPOSITE CABINET EXTENSION & EXTENDED DRAIN PAN;
 8" HANDED & 8" OPPOSITE CABINET EXTENSION & EXTENDED DRAIN PAN;
 10" HANDED & 6" OPPOSITE CABINET EXTENSION & EXTENDED DRAIN PAN

RIGHT HAND SHOWN

LH-E MODEL	LH-E FLUSH MOUNTED CABINET DIMENSIONS								
	A	B	C	D	E	F	G	H	FILTER SIZE
02/03	62	25 7/8	11	39 3/8	63 3/8	60 1/4	37 1/8	12	12" x 20" x 1"
04	62	25 7/8	11	39 3/8	63 3/8	60 1/4	37 1/8	12	12" x 20" x 1"
06	70	25 7/8	12	39 3/8	71 3/8	68 1/4	37 1/8	12	12" x 25" x 1"
08	70	25 7/8	12	45 3/8	71 3/8	68 1/4	43 1/8	18	12" x 25" x 1"
10	76	25 7/8	12	45 3/8	77 3/8	74 1/4	43 1/8	18	12" x 25" x 1"
12	76	25 7/8	12	45 3/8	77 3/8	74 1/4	43 1/8	18	12" x 25" x 1"

LH02/12 FLUSH, TYPE "E" WITH BOTTOM SUPPLY AND BOTTOM RETURN

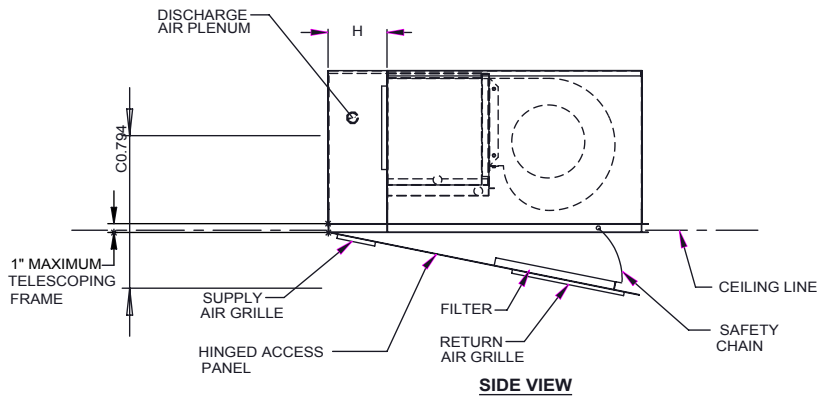
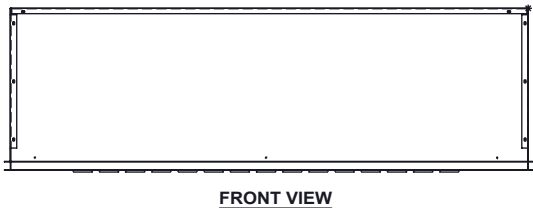
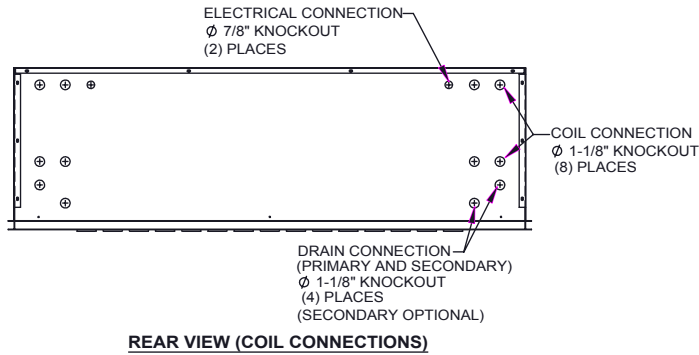
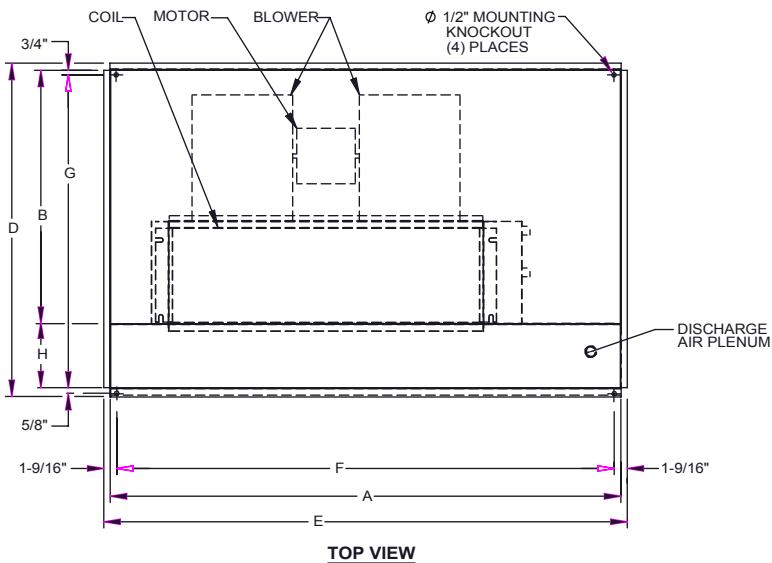


8" HANDED & 10" OPPOSITE CABINET EXTENSION & EXTENDED DRAIN PAN;
 10" HANDED & 8" OPPOSITE CABINET EXTENSION & EXTENDED DRAIN PAN

RIGHT HAND SHOWN

LH-E MODEL	LH-E FLUSH MOUNTED CABINET DIMENSIONS								
	A	B	C	D	E	F	G	H	FILTER SIZE
02/03	64	25 7/8	11	39 3/8	65 3/8	62 1/4	37 1/8	12	12" x 20" x 1"
04	64	25 7/8	11	39 3/8	65 3/8	62 1/4	37 1/8	12	12" x 20" x 1"
06	72	25 7/8	12	39 3/8	73 3/8	70 1/4	37 1/8	12	12" x 25" x 1"
08	72	25 7/8	12	45 3/8	73 3/8	70 1/4	43 1/8	18	12" x 25" x 1"
10	78	25 7/8	12	45 3/8	79 3/8	76 1/4	43 1/8	18	12" x 25" x 1"
12	78	25 7/8	12	45 3/8	79 3/8	76 1/4	43 1/8	18	12" x 25" x 1"

LH02/12 FLUSH, TYPE "E" WITH BOTTOM SUPPLY AND BOTTOM RETURN

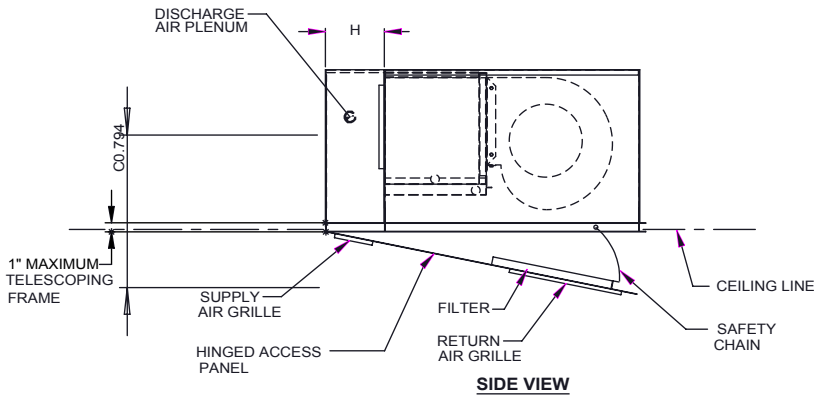
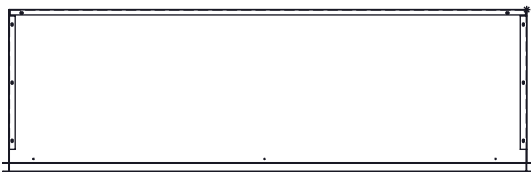
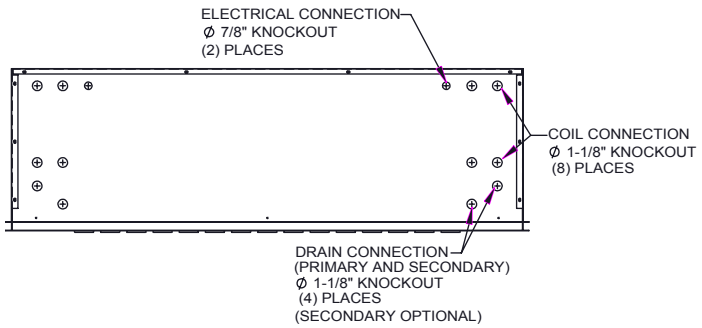
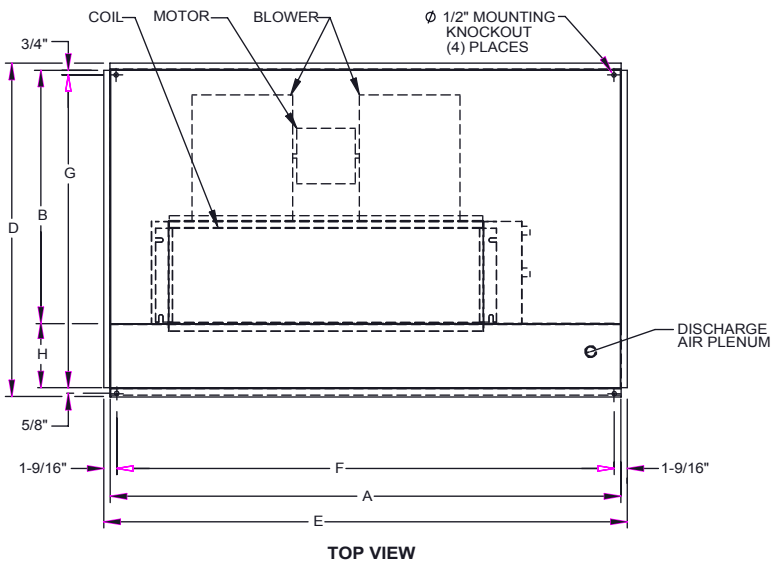


10" HANDED & 10" OPPOSITE CABINET EXTENTION & EXTENDED DRAIN PAN

RIGHT HAND SHOWN

LH-E MODEL	LH-E FLUSH MOUNTED CABINET DIMENSIONS								
	A	B	C	D	E	F	G	H	FILTER SIZE
02/03	66	25 ⁷ / ₈	11	39 ³ / ₈	67 ³ / ₈	64 ¹ / ₄	37 ¹ / ₈	12	12" x 20" x 1"
04	66	25 ⁷ / ₈	11	39 ³ / ₈	67 ³ / ₈	64 ¹ / ₄	37 ¹ / ₈	12	12" x 20" x 1"
06	74	25 ⁷ / ₈	12	39 ³ / ₈	75 ³ / ₈	72 ¹ / ₄	37 ¹ / ₈	12	12" x 25" x 1"
08	74	25 ⁷ / ₈	12	45 ³ / ₈	75 ³ / ₈	72 ¹ / ₄	43 ¹ / ₈	18	12" x 25" x 1"
10	80	25 ⁷ / ₈	12	45 ³ / ₈	81 ³ / ₈	78 ¹ / ₄	43 ¹ / ₈	18	12" x 25" x 1"
12	80	25 ⁷ / ₈	12	45 ³ / ₈	81 ³ / ₈	78 ¹ / ₄	43 ¹ / ₈	18	12" x 25" x 1"

LH02/12 FLUSH, TYPE "E" WITH BOTTOM SUPPLY AND BOTTOM RETURN

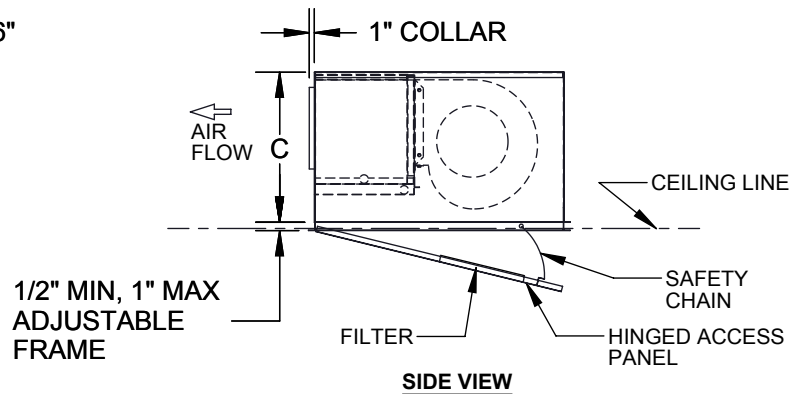
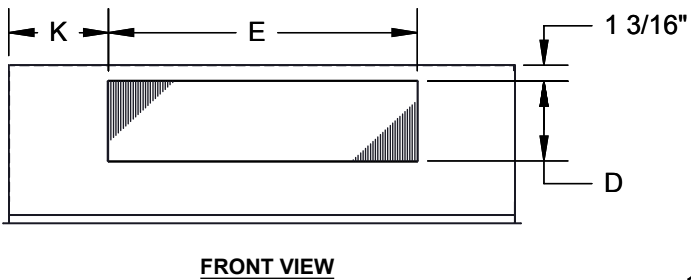
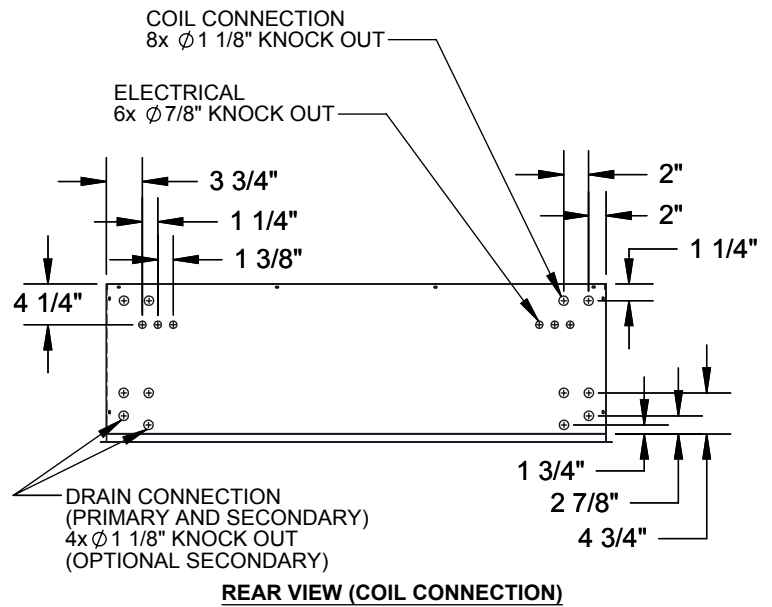
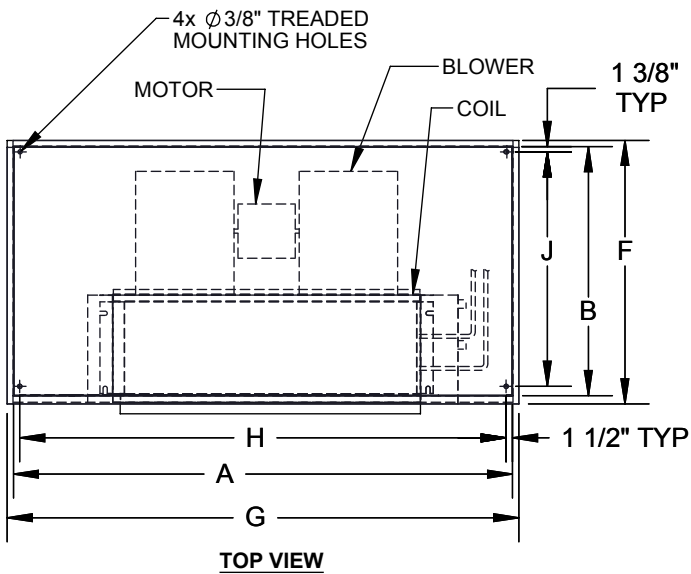


RIGHT HAND SHOWN

LH-E MODEL	LH-E FLUSH MOUNTED CABINET DIMENSIONS								
	A	B	C	D	E	F	G	H	FILTER SIZE
02/03	46	25 7/8	11	39 3/8	47 3/8	44 1/4	37 1/8	12	12" x 20" x 1"
04	46	25 7/8	11	39 3/8	47 3/8	44 1/4	37 1/8	12	12" x 20" x 1"
06	54	25 7/8	12	39 3/8	54 3/8	52 1/4	37 1/8	12	12" x 25" x 1"
08	54	25 7/8	12	45 3/8	54 3/8	52 1/4	43 1/8	18	12" x 25" x 1"
10	60	25 7/8	12	45 3/8	61 3/8	58 1/4	43 1/8	18	12" x 25" x 1"
12	60	25 7/8	12	45 3/8	61 3/8	58 1/4	43 1/8	18	12" x 25" x 1"

BOTTOM STAMPED
REV A

D107583

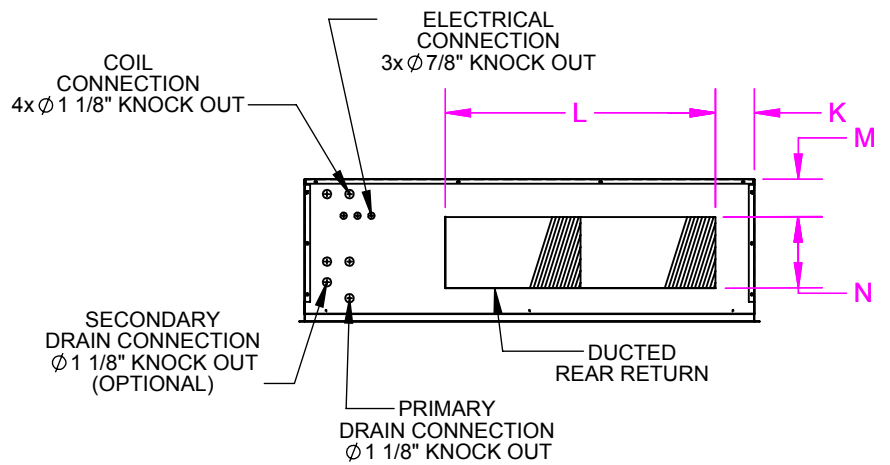


RIGHT HAND SHOWN

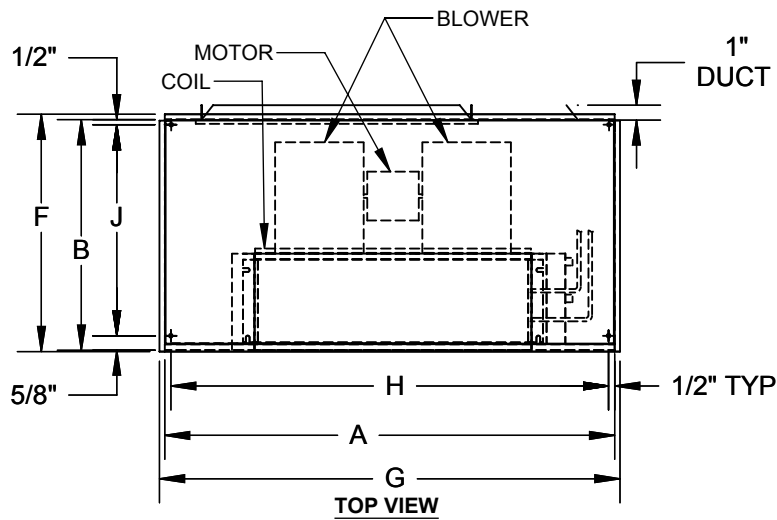
MODEL	A	B	C	D	E	F	G	H	J	K	BLOWER QTY	FILTER SIZE
200-300	46 1/2	27	11	6 3/8	19 1/8	27 3/4	47 1/2	43 1/2	24 1/8	13 3/4	1	(2) 11x20x1
400	46 1/2	27	11	6 3/8	25 1/8	27 3/4	47 1/2	43 1/2	24 1/8	10 11/16	2	(2) 11x20x1
600	54 1/2	27	12	6 3/8	31 1/8	27 3/4	45 1/2	45 1/2	24 1/8	11 11/16	2	(2) 11x24x1
800	54 1/2	27	12	7 5/8	31 1/8	27 3/4	45 1/2	45 1/2	24 1/8	11 11/16	2	(2) 11x24x1
1000	50 1/2	27	12	7 5/8	37 1/8	27 3/4	61 1/5	57 1/2	24 1/8	11 11/16	2	(2) 11x27x1
1200	50 1/2	27	12	7 5/8	43 1/8	27 3/4	61 1/5	57 1/2	24 1/8	8 11/16	2	(2) 11x27x1

BOTTOM STAMPED
FLUSH
REV A

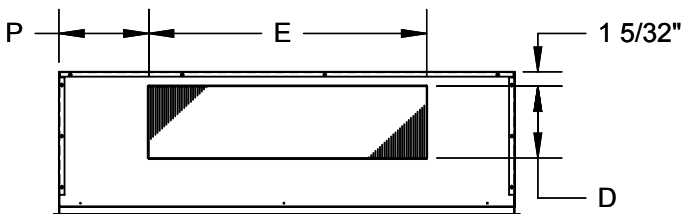
D107677



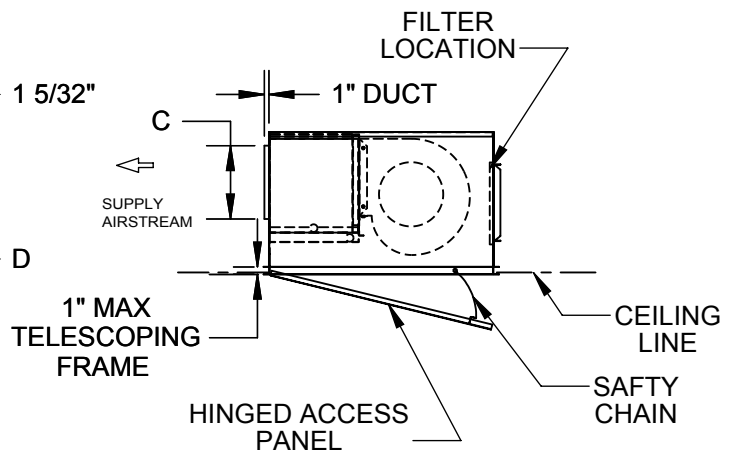
REAR VIEW



TOP VIEW



FRONT VIEW



RIGHT HAND SHOWN

MODEL	A	B	C	D	E	F	G	H	J	K	L	M	N	P	FILTER SIZE
LH 002-003	46 1/2	27	11	6 3/8	19 1/8	27 3/4	47 1/2	43 1/2	25 1/8	2 1/2	29	2 1/2	7	13 3/4	(1) 8x30x1
400	46 1/2	27	11	6 3/8	25 1/8	27 3/4	47 1/2	43 1/2	24 1/8	2 1/2	29	2 1/2	7	10 11/16	(1) 8x30x1
600	54 1/2	27	12	6 3/8	31 1/8	27 3/4	55 1/2	51 1/2	24 1/8	2 1/2	39	2 1/2	7	11 11/16	(2) 8x40x1
800	54 1/2	27	12	7 5/8	31 1/8	27 3/4	55 1/2	51 1/2	24 1/8	2 1/2	39	2 1/2	7	11 11/16	(2) 8x20x1
1000	60 1/2	27	12	7 5/8	37 1/8	27 3/4	61 1/2	57 1/2	24 1/8	2	49	2 1/2	7	11 11/16	(2) 8x25x1
1200	60 1/2	27	12	7 5/8	43 1/8	27 3/4	61 1/2	57 1/2	24 1/8	2	49	2 1/2	7	8 11/16	(2) 8x25x1

FRONT DUCTED REAR RETURN
 FLUSH
 REV A

D107623

2 1

DEPTH

4X Ø.500 MOUNTING HOLES

1.000

D

2.000

4.000

COIL CONNECTION KNOCK OUTS

1.250

ELECTRICAL CONNECTION KNOCK OUTS

4.312

DRAIN CONNECTION KNOCK OUTS

2.000

2.737

4.000

REAR VIEW

1.500 TYP

1.500 TYP

E

TOP VIEW

LENGTH

C

A

B

HEIGHT

1" MAX ADJUSTABLE FRAME

FRONT VIEW

1.044 TYP

HINGED ACCESS PANEL

SIDE VIEW

.589

CEILING LINE

6" HANDED SIDE CABINET EXTENDED DRAIN PAN

OVERALL				SUPPLY DUCT			FRAME		RIGHT HAND SHOWN	
UNIT SIZE	LENGTH	HEIGHT	DEPTH	A	B	C	D	E	BLOWERS	FILTER SIZE
002-003	46.5	11	27	18.25	6.38	14.13	47.5	27.75	1	(2) 11x20x1
004	46.5	11	27	24.25	6.38	11.13	47.5	27.75	2	(2) 11x20x1
006	54.5	11	27	32.25	6.38	11.13	55.5	27.75	2	(2) 11x24x1
008	54.5	13	27	32.25	8	11.13	55.5	27.75	2	(2) 11x24x1
010	68.5	13	27	38.25	8	15.13	69.5	27.75	2	(2) 11x27x1
012	68.5	13	27	46.25	8	11.13	69.5	27.75	2	(2) 11x27x1

PROPRIETARY AND CONFIDENTIAL
 THE INFORMATION CONTAINED IN THIS DOCUMENT IS THE SOLE PROPERTY OF WILLIAMS FURNACE COMPANY. ANY REPRODUCTION IN PART OR AS A WHOLE WITHOUT THE WRITTEN PERMISSION OF WILLIAMS FURNACE COMPANY IS PROHIBITED.

TITLE:
 LH.Flush
 Unit Revision Level B

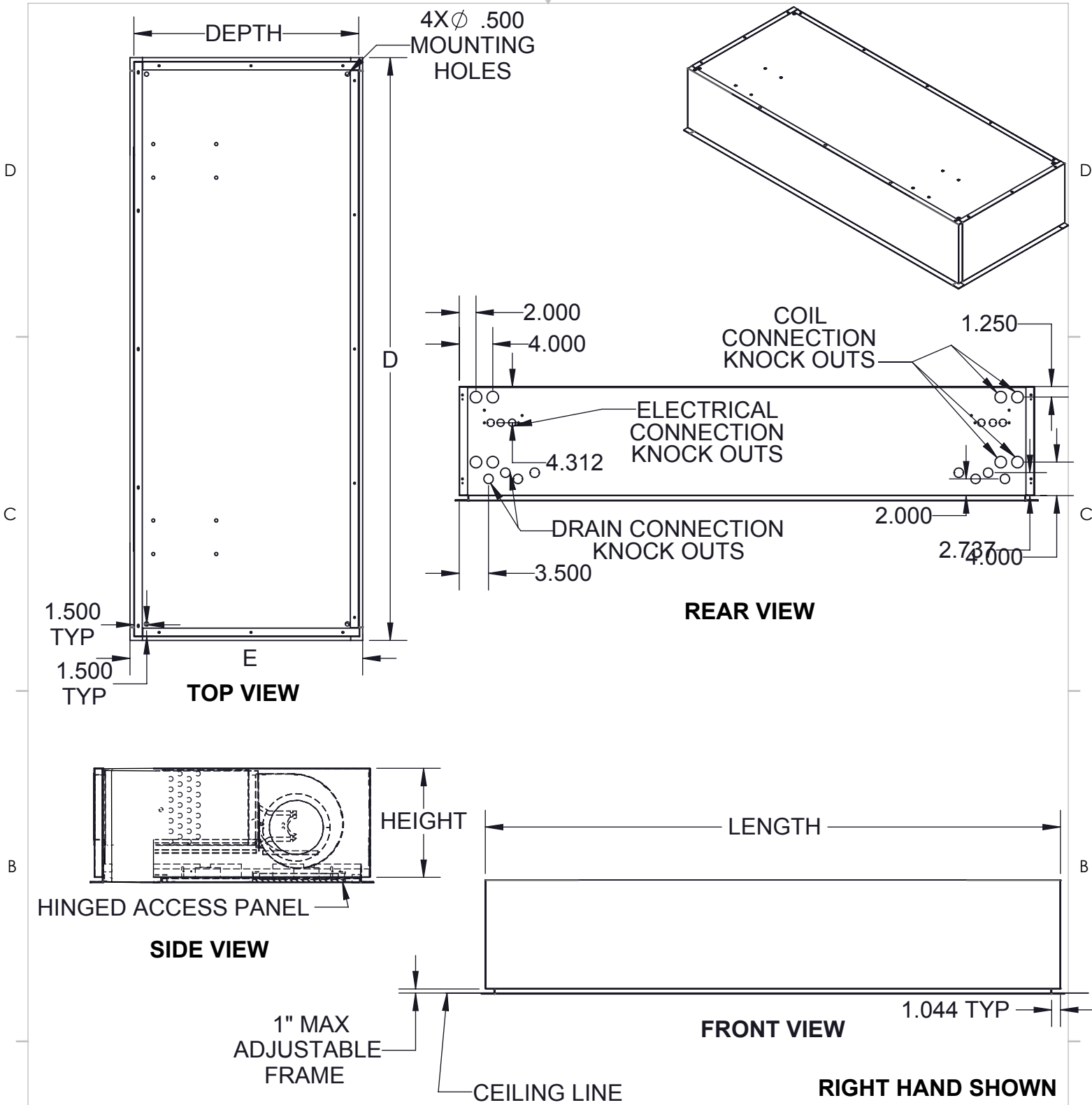
DWG. NO.
 D107640

REV
 B

DRAWING NOT TO SCALE

2 1

SHEET 1 OF 1



OVERALL				FRAME		BLOWERS	FILTER SIZE	SA GRILLE
UNIT SIZE	LENGTH	HEIGHT	DEPTH	D	E			
002-003	54.5	11	38	55.5	38.75	1	(2) 11x20x1	18x6
004	54.5	11	38	55.5	38.75	2	(2) 11x20x1	24x6
006	62.5	11	38	63.5	38.75	2	(2) 11x24x1	32x6
008	62.5	13	44	63.5	44.75	2	(2) 11x24x1	32x8
010	76.5	13	44	77.5	44.75	2	(2) 11x27x1	36x8
012	76.5	13	44	77.5	44.75	2	(2) 11x27x1	42x8

PROPRIETARY AND CONFIDENTIAL
 THE INFORMATION CONTAINED IN THIS DOCUMENT IS THE SOLE
 PROPERTY OF WILLIAMS FURNACE COMPANY. ANY REPRODUCTION
 IN PART OR AS A WHOLE WITHOUT THE WRITTEN PERMISSION OF
 WILLIAMS FURNACE COMPANY IS PROHIBITED.

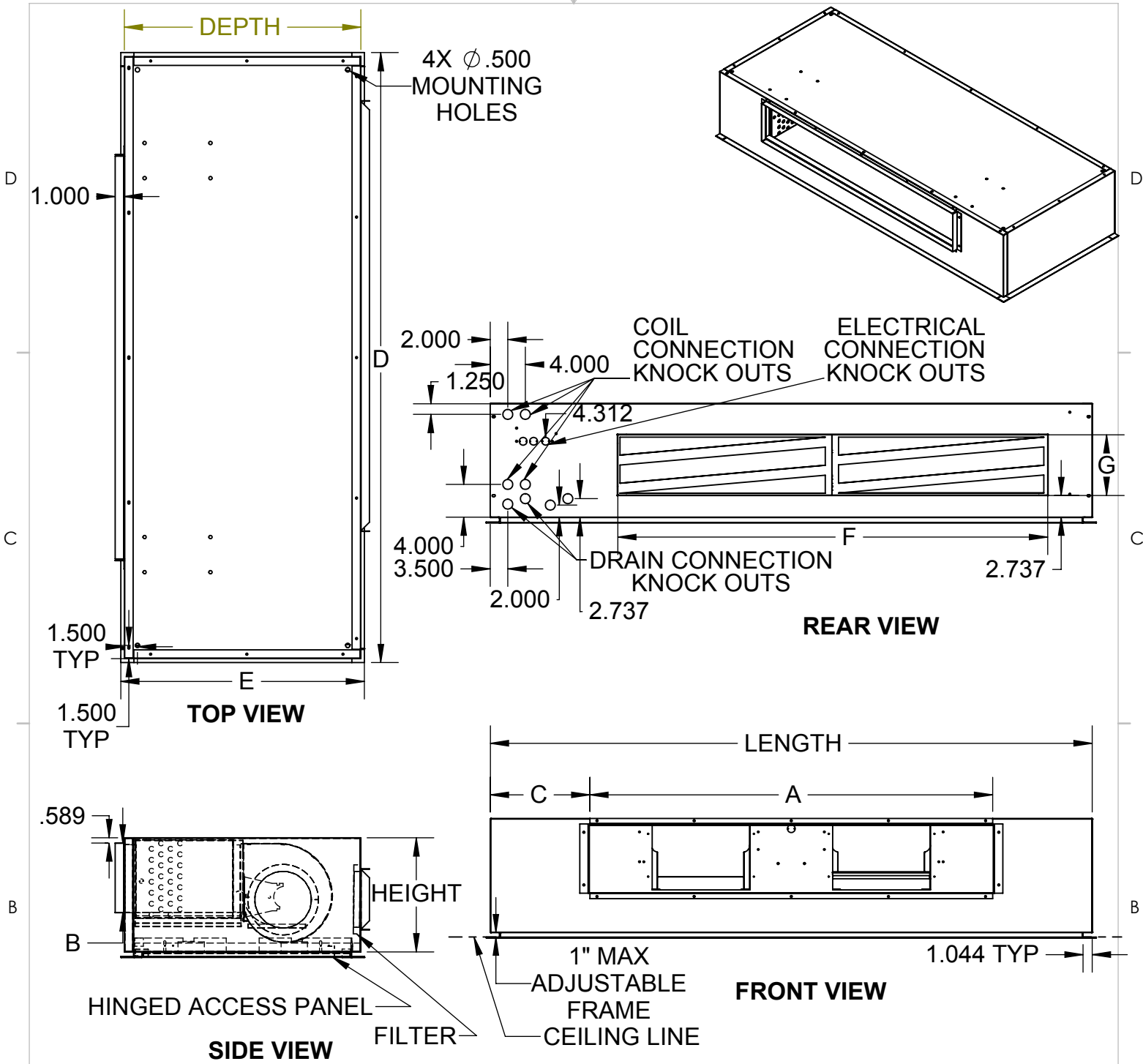
TITLE:
 LH.Flush BOT R/S
 Unit Revision Level B

DWG. NO.
 D104032

REV
 B

WILLIAMS
 250 Laurel Street
 Colton, California 92324

DRAWING NOT TO SCALE



RIGHT HAND SHOWN

UNIT SIZE	OVERALL			SUPPLY DUCT			FRAME		RETURN DUCT		BLOWERS	FILTER SIZE
	LENGTH	HEIGHT	DEPTH	A	B	C	D	E	F	G		
002-003	46.5	11	27	18.25	6.38	14.13	47.5	27.75	29	7	1	(1) 8X30X1
004	46.5	11	27	24.25	6.38	11.13	47.5	27.75	29	7	2	(1) 8X30X1
006	54.5	11	27	32.25	6.38	11.13	55.5	27.75	39	7	2	(2) 8X20X1
008	54.5	13	27	32.25	8	11.13	55.5	27.75	39	9	2	(2) 8X20X1
010	68.5	13	27	38.25	8	15.13	69.5	27.75	49	9	2	(2) 8X25X1
012	68.5	13	27	46.25	8	11.13	69.5	27.75	49	9	2	(2) 8X25X1

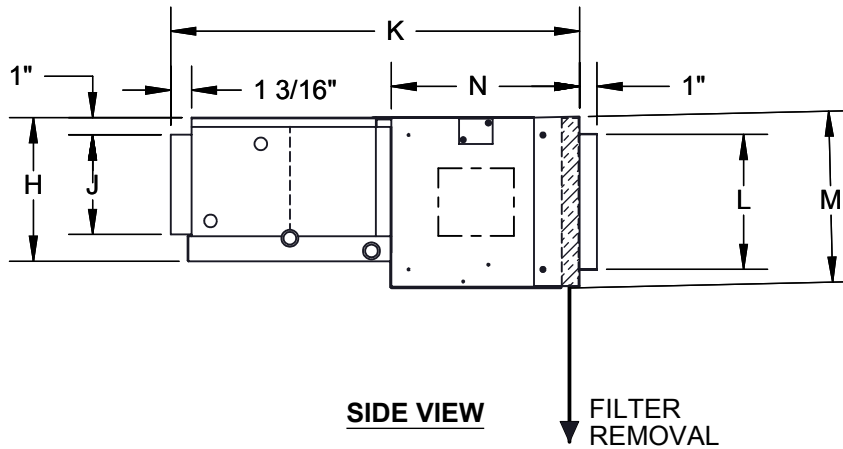
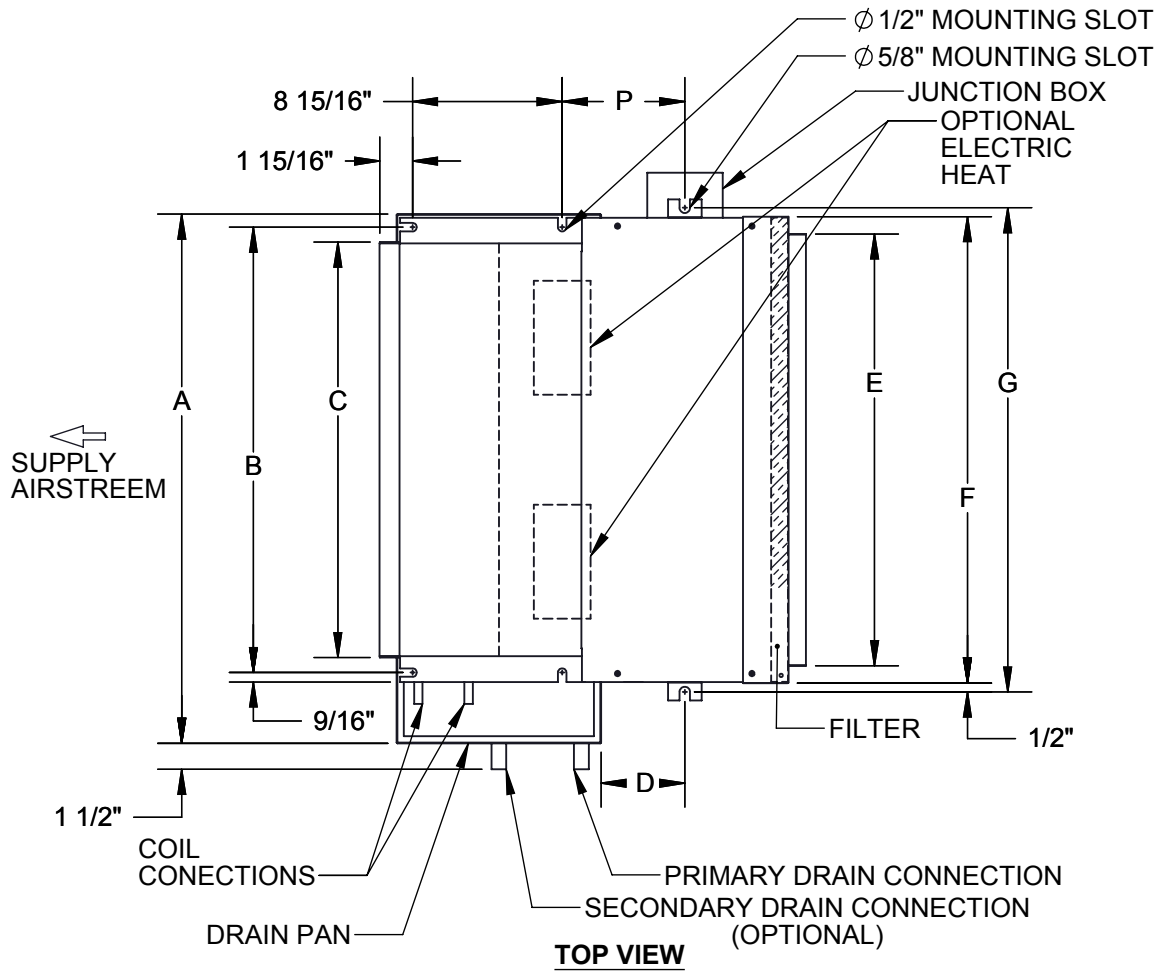
PROPRIETARY AND CONFIDENTIAL
 THE INFORMATION CONTAINED IN THIS DOCUMENT IS THE SOLE PROPERTY OF THE MANUFACTURER. ANY REPRODUCTION IN PART OR AS A WHOLE WITHOUT WRITTEN PERMISSION IS PROHIBITED.

TITLE:
 LH.Flush
 Unit Revision Level B

DWG. NO.
 D104033

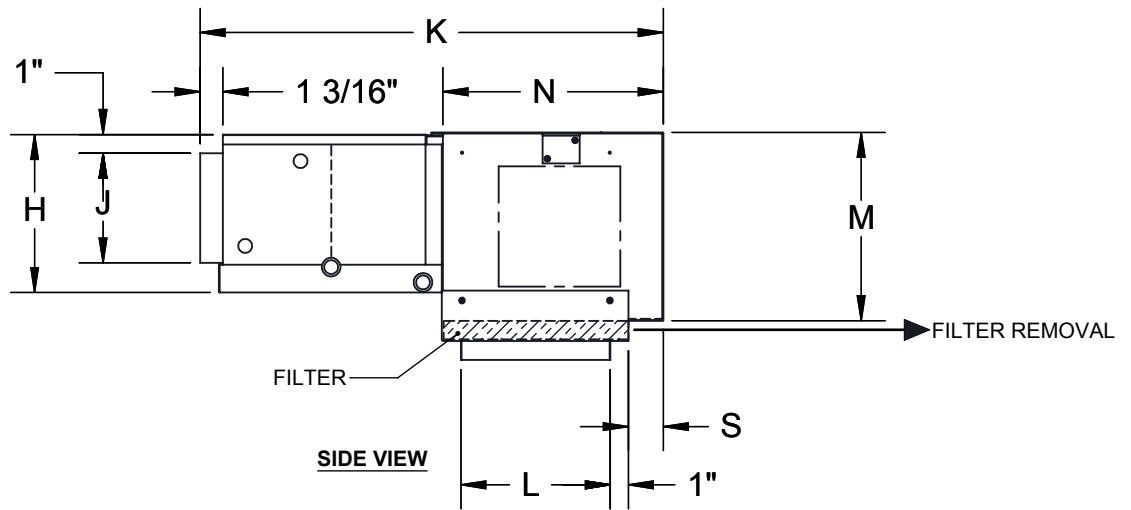
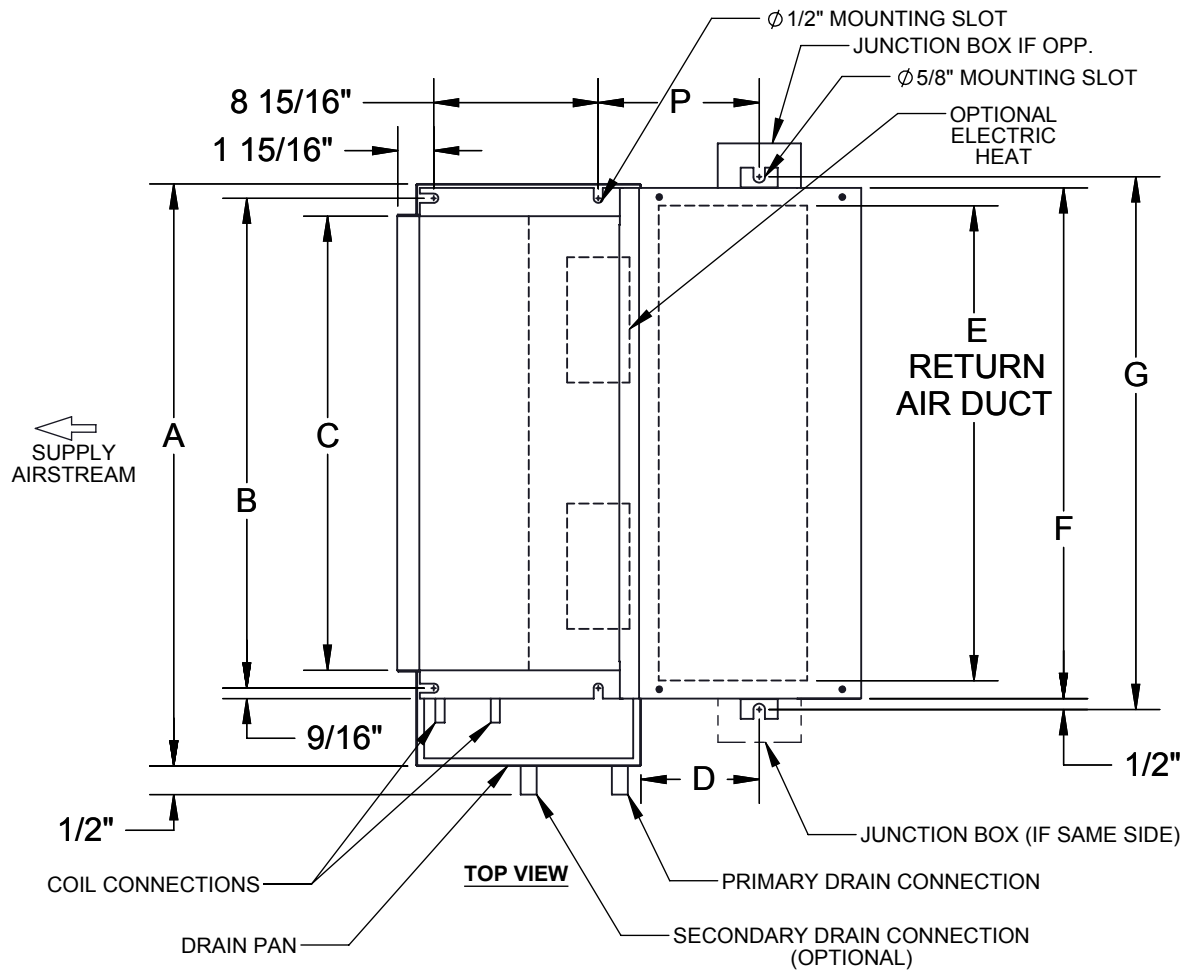
REV
 B

DRAWING NOT TO SCALE



RGHIT HAND SHOWN

MODEL	A	B	C	D	E	F	G	H	J	K	L	M	N	P	QTY BLOWER	FILTER SIZE
002-003	31 1/2	20 7/8	19	5	20 1/8	22	23 3/16	9 1/4	6	24 3/8	8	10 1/8	11 1/4	7 1/2	1	10x22x1
004	31 1/2	26 7/8	25	5	26	28	29 3/16	9 1/4	6	24 3/8	8	10 1/8	11 1/4	7 1/2	2	10x28x1
006	37 1/2	32 7/8	31	5	32	34	35 3/16	9 1/4	6	24 3/8	8	10 1/8	11 1/4	7 1/2	2	10x34x1
008	37 1/2	32 7/8	31	6	32	34	35 3/16	10 3/4	7 3/4	26 3/8	10	12 1/8	13 1/4	8 1/2	2	12x34x1
010	49 1/2	38 7/8	37	6	38	40	41 3/16	10 3/4	7 3/4	26 3/8	10	12 1/8	13 1/4	8 1/2	2	12x40x1
012	49 1/2	44 7/8	43	6	44	46	47 3/16	10 3/4	7 3/4	26 3/8	10	12 1/8	13 1/4	8 1/2	2	12x46x1

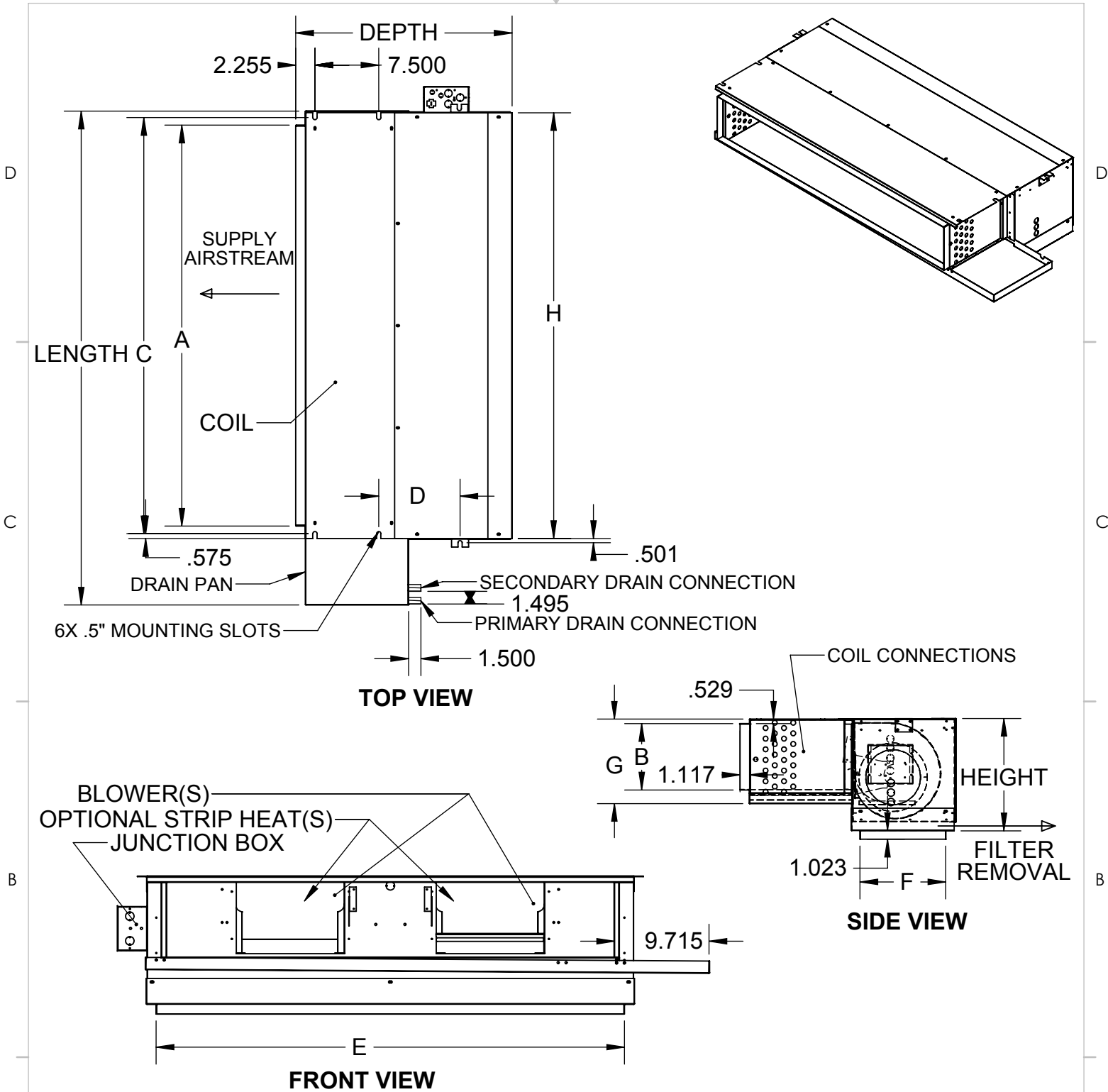


RIGHT HAND SHOWN

MODEL	A	B	C	D	E	F	G	H	J	K	L	M	N	P	S	QTY BLOWER	FILTER SIZE
002-003	31 1/2	20 7/8	19 5	20 1/8	22	27 3/16	9 1/4	6	23 1/4	8	10 1/8	10 1/8	7 1/2	4	1	10x22x1	
004	31 1/2	26 7/8	25 5	26	28	29 3/16	9 1/4	6	23 1/4	8	10 1/8	10 1/8	7 1/2	4	2	10x28x1	
006	37 1/2	32 7/8	31 5	32	34	35 3/16	9 1/4	6	23 1/4	8	10 1/8	10 1/8	7 1/2	4	2	10x34x1	
008	37 1/2	32 7/8	31 6	32	34	35 3/16	10 3/4	7 3/4	25 1/4	10	12 1/8	12 1/8	8.5	2 1/2	2	12x34x1	
010	49 1/2	38 7/8	37 6	38	40	41 3/16	10 3/4	7 3/4	25 1/4	10	12 1/8	12 1/8	8.5	2 1/2	2	12x40x1	
012	49 1/2	44 7/8	43 6	44	46	47 3/16	10 3/4	7 3/4	25 1/4	10	12 1/8	12 1/8	8.5	2 1/2	2	12x46x1	

RETURN AIR PLENUM
BOTTOM RETURN
REV A

D102004



RIGHT HAND SHOWN

OVERALL			SUPPLY DUCT		MOUNTING		RETURN DUCT						
UNIT SIZE	LENGTH	HEIGHT	DEPTH	A	B	C	D	E	F	G	H	BLOWERS	FILTER SIZE
002-003	30	11.19	23.38	19.13	6	20.88	8.5	20.13	8.08	8	22	1	10x22x1
004	37.5	11.19	23.38	25.13	6	26.88	8.5	29.13	8.08	8	31	2	10x31x1
006	44	11.19	23.38	33.13	6	34.88	8.5	34.13	8.08	8	36	2	10x36x1
008	44	13.19	25.38	33.13	7.75	34.88	9.5	34.13	10.08	9.75	36	2	12x36x1
010	50	13.19	25.38	39.13	7.75	40.88	9.5	40.13	10.08	9.75	42	2	12x42x1
012	58	13.19	25.38	47.13	7.75	48.88	9.5	48.13	10.08	9.75	50	2	12x50x1

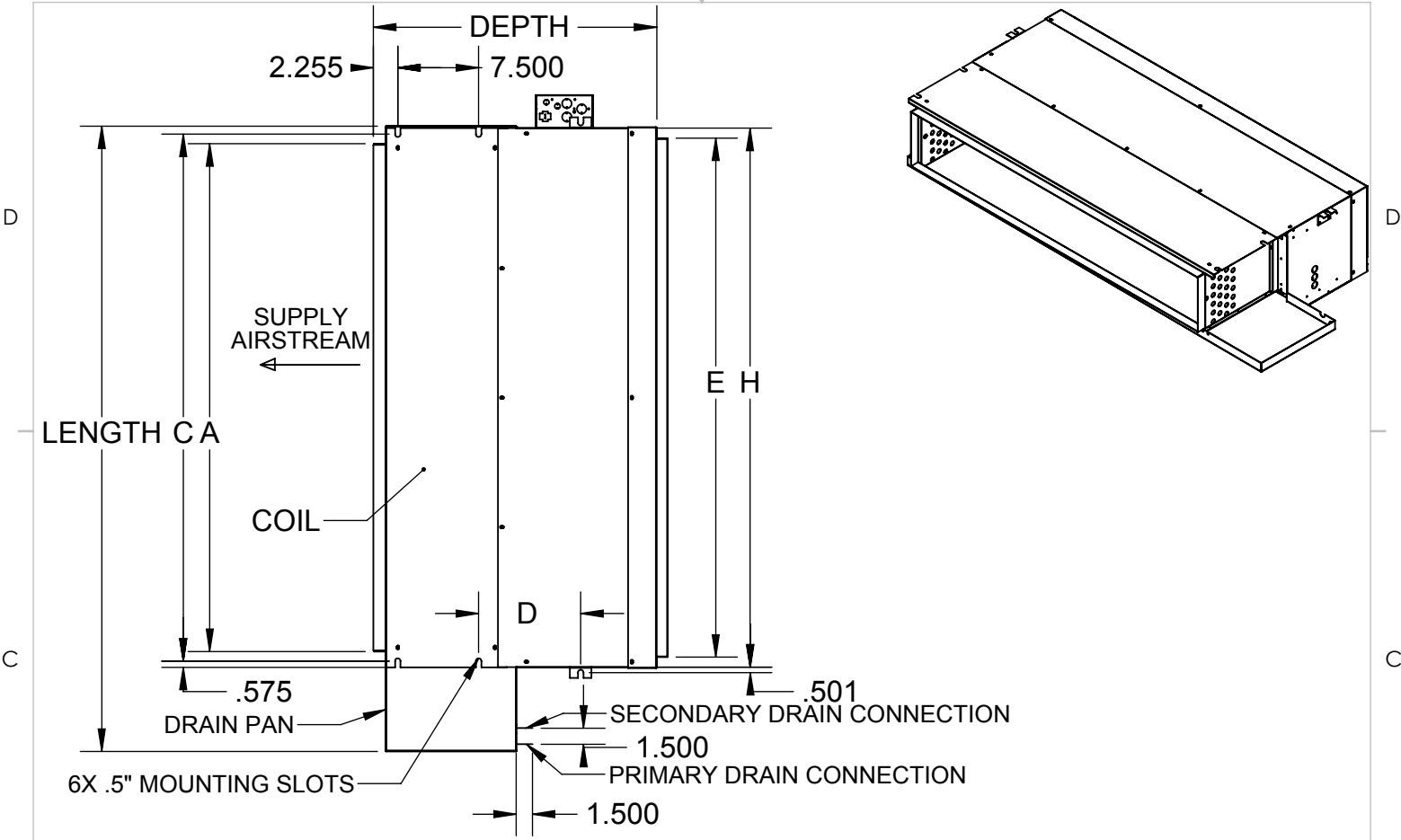
PROPRIETARY AND CONFIDENTIAL
 THE INFORMATION CONTAINED IN THIS DOCUMENT IS THE SOLE
 PROPERTY OF THE MANUFACTURER. ANY REPRODUCTION IN PART
 OR AS A WHOLE WITHOUT WRITTEN PERMISSION IS PROHIBITED.

TITLE:
 LH.Return Plenum, Bottom
 Unit Revision Level B

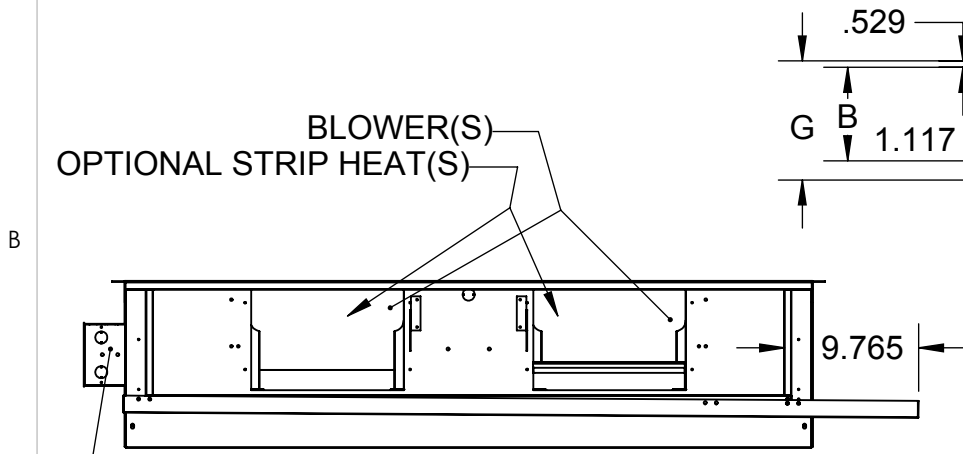
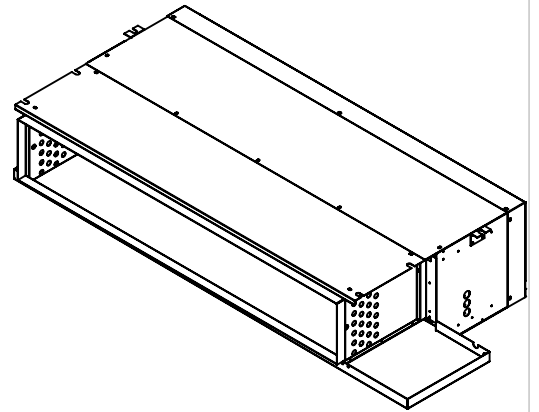
DWG. NO.
 D104035

REV
 B

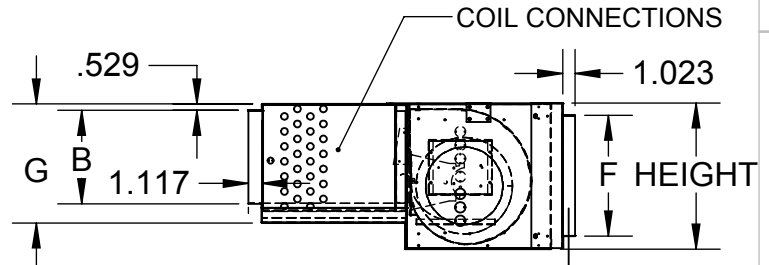
DRAWING NOT TO SCALE



TOP VIEW



FRONT VIEW



SIDE VIEW

RIGHT HAND SHOWN

OVERALL				SUPPLY DUCT		MOUNTING		RETURN DUCT					
UNIT SIZE	LENGTH	HEIGHT	DEPTH	A	B	C	D	E	F	G	H	BLOWERS	FILTER SIZE
002-003	30	10.19	24.38	19.13	6	20.88	8.5	20.13	8.08	8	22	1	10x22x1
004	37.5	10.19	24.38	25.13	6	26.88	8.5	29.13	8.08	8	31	2	10x31x1
006	44	10.19	24.38	33.13	6	34.88	8.5	34.13	8.08	8	36	2	10x36x1
008	44	12.19	26.38	33.13	7.75	34.88	9.5	34.13	10.08	9.75	36	2	12x36x1
010	50	12.19	26.38	39.13	7.75	40.88	9.5	40.13	10.08	9.75	42	2	12x42x1
012	58	12.19	26.38	47.13	7.75	48.88	9.5	48.13	10.08	9.75	50	2	12x50x1

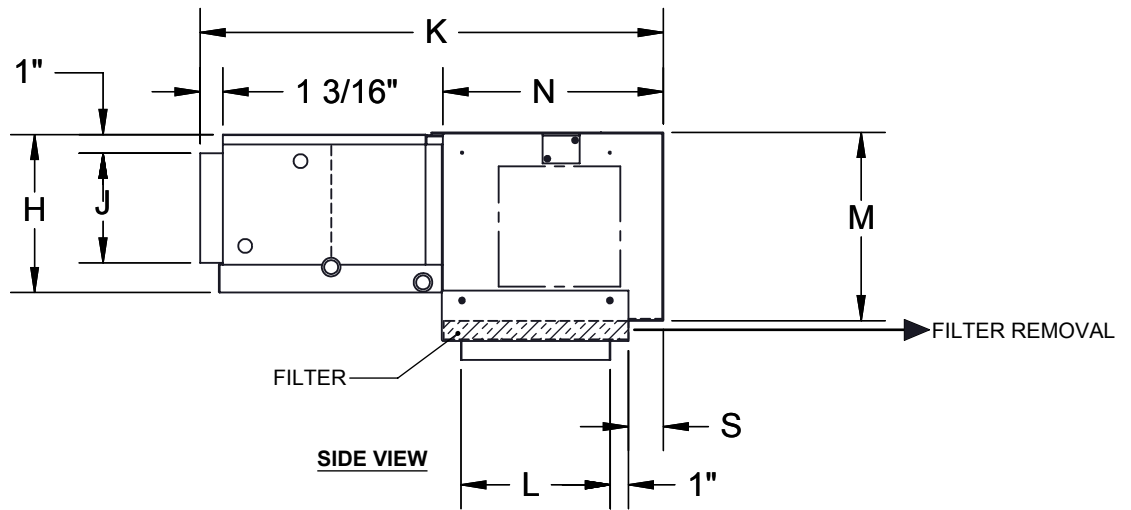
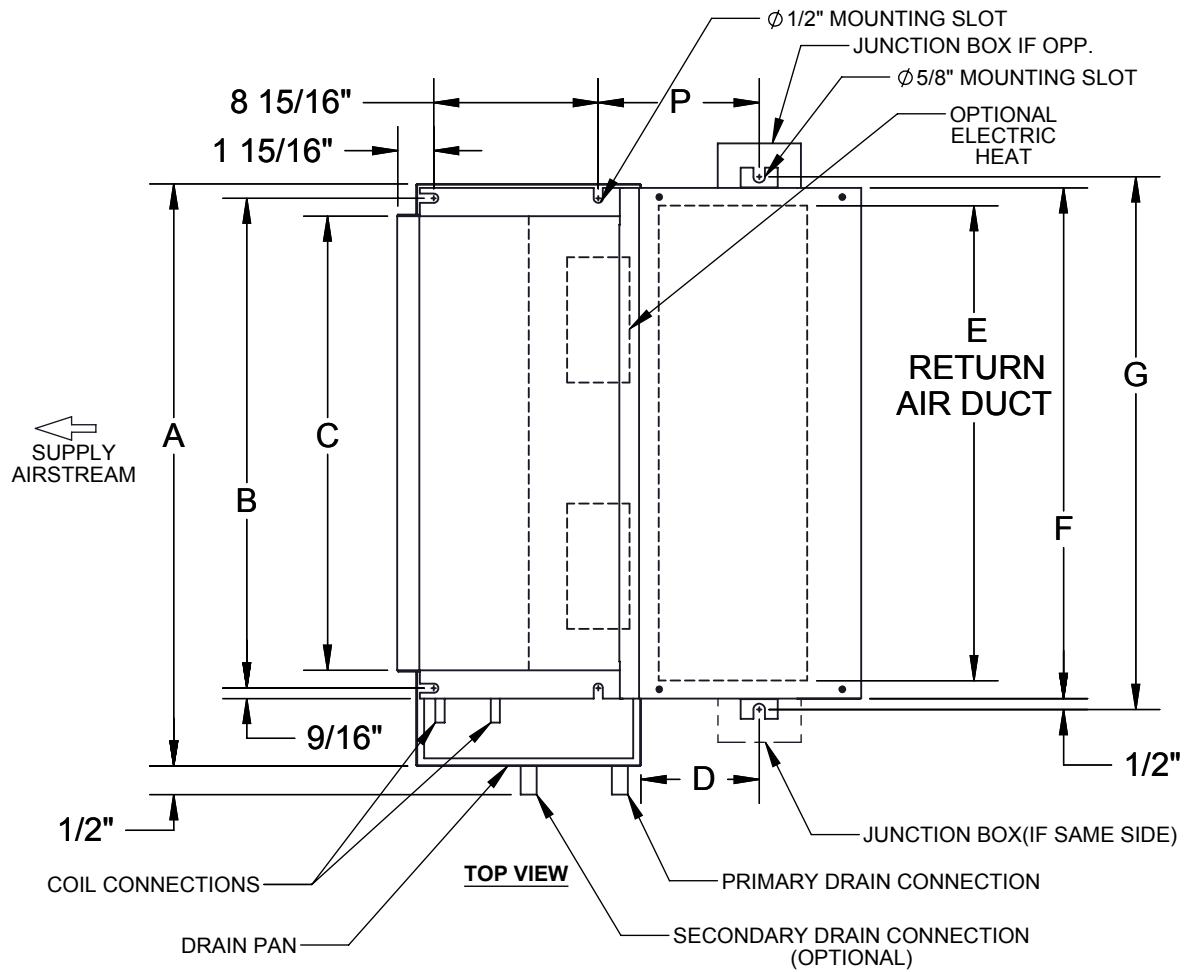
PROPRIETARY AND CONFIDENTIAL
 THE INFORMATION CONTAINED IN THIS DOCUMENT IS THE SOLE PROPERTY OF THE MANUFACTURER. ANY REPRODUCTION IN PART OR AS A WHOLE WITHOUT WRITTEN PERMISSION IS PROHIBITED.

DRAWING NOT TO SCALE

TITLE:
 LH.Return Plenum, Rear Unit Revision Level B

DWG. NO.
 D104034

REV
 B

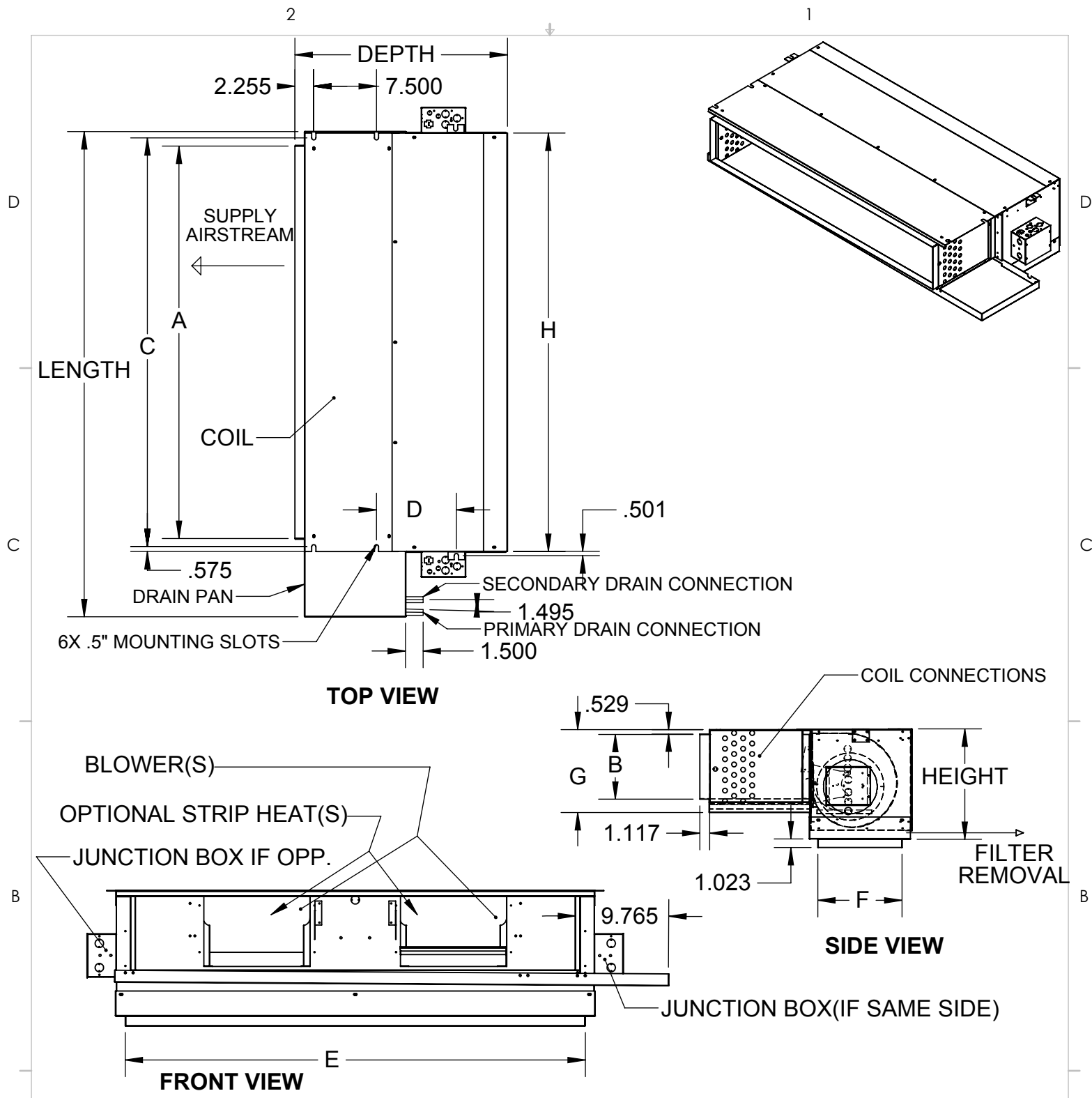


RIGHT HAND SHOWN

MODEL	A	B	C	D	E	F	G	H	J	K	L	M	N	P	S	QTY BLOWER	FILTER SIZE
002-003	31 1/2	20 7/8	19	5	20 1/8	22	27 3/16	9 1/4	6	27 3/16	8	10 1/16	10 1/4	7 1/2	4	1	10x22x1
004	31 1/2	26 7/8	25	5	26	28	29 3/16	9 1/4	6	27 3/16	8	10 1/16	10 1/4	7 1/2	4	2	10x28x1
006	37 1/2	32 7/8	31	5	32	34	35 3/16	9 1/4	6	27 3/16	8	10 1/16	10 1/4	7 1/2	4	2	10x34x1
008	37 1/2	32 7/8	31	6	32	34	35 3/16	10 3/4	7 3/4	27 11/16	10	12 1/16	12 1/4	8 1/2	2 1/2	2	12x34x1
010	49 1/2	38 7/8	37	6	38	40	41 3/16	10 3/4	7 3/4	27 11/16	10	12 1/16	12 1/4	8 1/2	2 1/2	2	12x40x1
012	49 1/2	44 7/8	43	6	44	46	47 3/16	10 3/4	7 3/4	27 11/16	10	12 1/16	12 1/4	8 1/2	2 1/2	2	12x46x1

RETURN AIR PLENUM ECM
BOTTOM DUCTED
REV A

D107784



SAME SIDE JUNCTION BOX ECM

OVERALL				SUPPLY DUCT		MOUNTING		RETURN DUCT					
UNIT SIZE	LENGTH	HEIGHT	DEPTH	A	B	C	D	E	F	G	H	BLOWERS	FILTER SIZE
002-003	30	11.19	27.38	19.13	6	20.88	8.5	20.13	8.08	8	22	1	10x22x1
004	37.5	11.19	27.38	25.13	6	26.88	8.5	29.13	8.08	8	31	2	10x31x1
006	44	11.19	27.38	33.13	6	34.88	8.5	34.13	8.08	8	36	2	10x36x1
008	44	13.19	27.88	33.13	7.75	34.88	9.5	34.13	10.08	9.75	36	2	12x36x1
010	50	13.19	27.88	39.13	7.75	40.88	9.5	40.13	10.08	9.75	42	2	12x42x1
012	58	13.19	27.88	47.13	7.75	48.88	9.5	48.13	10.08	9.75	50	2	12x50x1

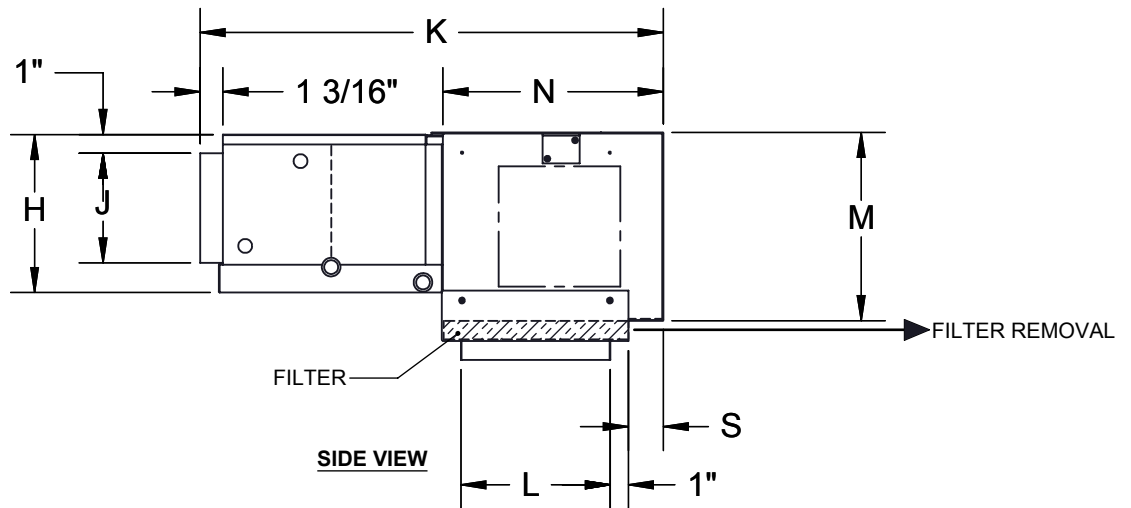
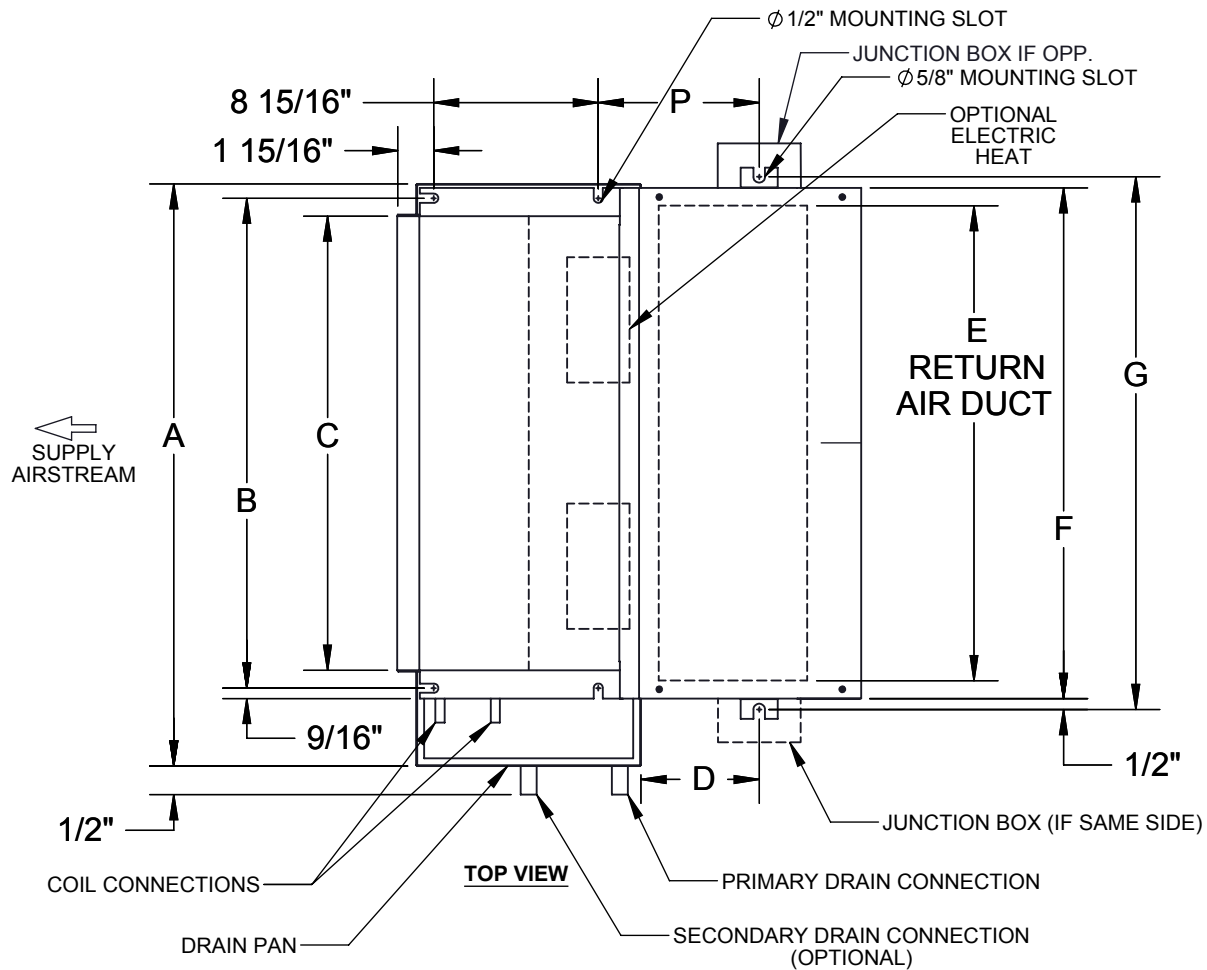
PROPRIETARY AND CONFIDENTIAL
 THE INFORMATION CONTAINED IN THIS DOCUMENT IS THE SOLE PROPERTY OF THE MANUFACTURER. ANY REPRODUCTION IN PART OR AS A WHOLE WITHOUT WRITTEN PERMISSION IS PROHIBITED.

TITLE:
 LH.Return Plenum, Bottom
 Unit Revision Level B

DWG. NO.
 D107788

REV
 B

DRAWING NOT TO SCALE



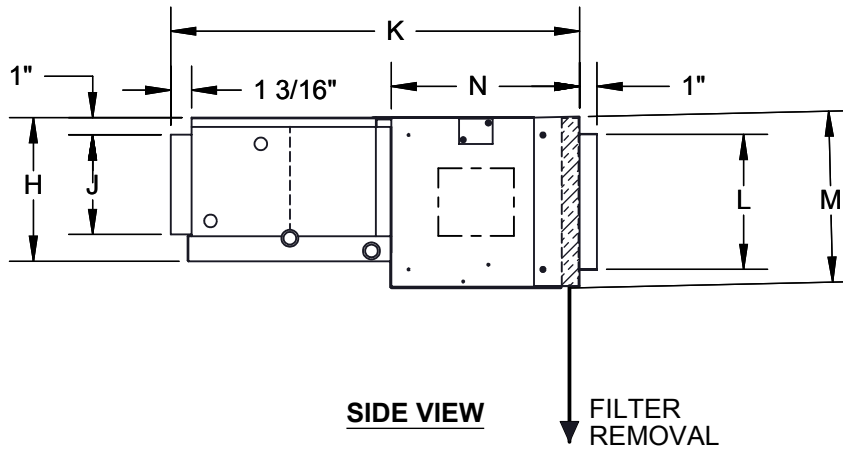
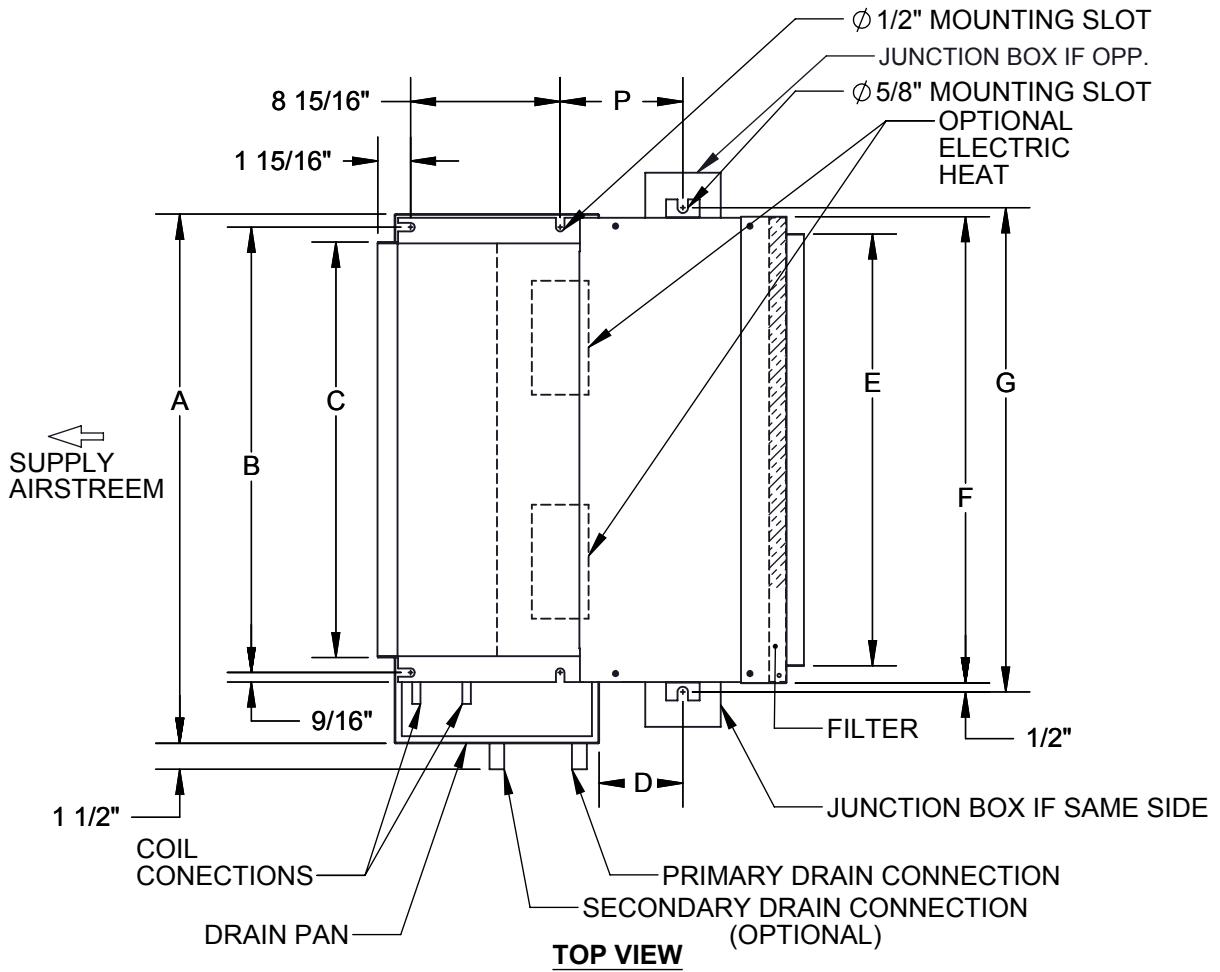
EXTENDED DRAIN PAN

RIGHT HAND SHOWN

MODEL	A	B	C	D	E	F	G	H	J	K	L	M	N	P	S	QTY BLOWER	FILTER SIZE
002-003	37 1/2	20 7/8	19	5	20 1/8	22	27 3/16	9 1/4	6	27 3/16	8	10 1/16	10 1/4	7 1/2	4	1	10x22x1
004	37 1/2	26 7/8	25	5	26	28	29 3/16	9 1/4	6	27 3/16	8	10 1/16	10 1/4	7 1/2	4	2	10x28x1
006	49 1/2	32 7/8	31	5	32	34	35 3/16	9 1/4	6	27 3/16	8	10 1/16	10 1/4	7 1/2	4	2	10x34x1
008	49 1/2	32 7/8	31	6	32	34	35 3/16	10 3/4	7 3/4	27 11/16	10	12 1/16	12 1/4	8 1/2	2 1/2	2	12x34x1
010	53 1/2	38 7/8	37	6	38	40	41 3/16	10 3/4	7 3/4	27 11/16	10	12 1/16	12 1/4	8 1/2	2 1/2	2	12x40x1
012	53 1/2	44 7/8	43	6	44	46	47 3/16	10 3/4	7 3/4	27 11/16	10	12 1/16	12 1/4	8 1/2	2 1/2	2	12x46x1

RETURN AIR PLENUM ECM
 BOTTOM STAMPED
 REV A

D107785



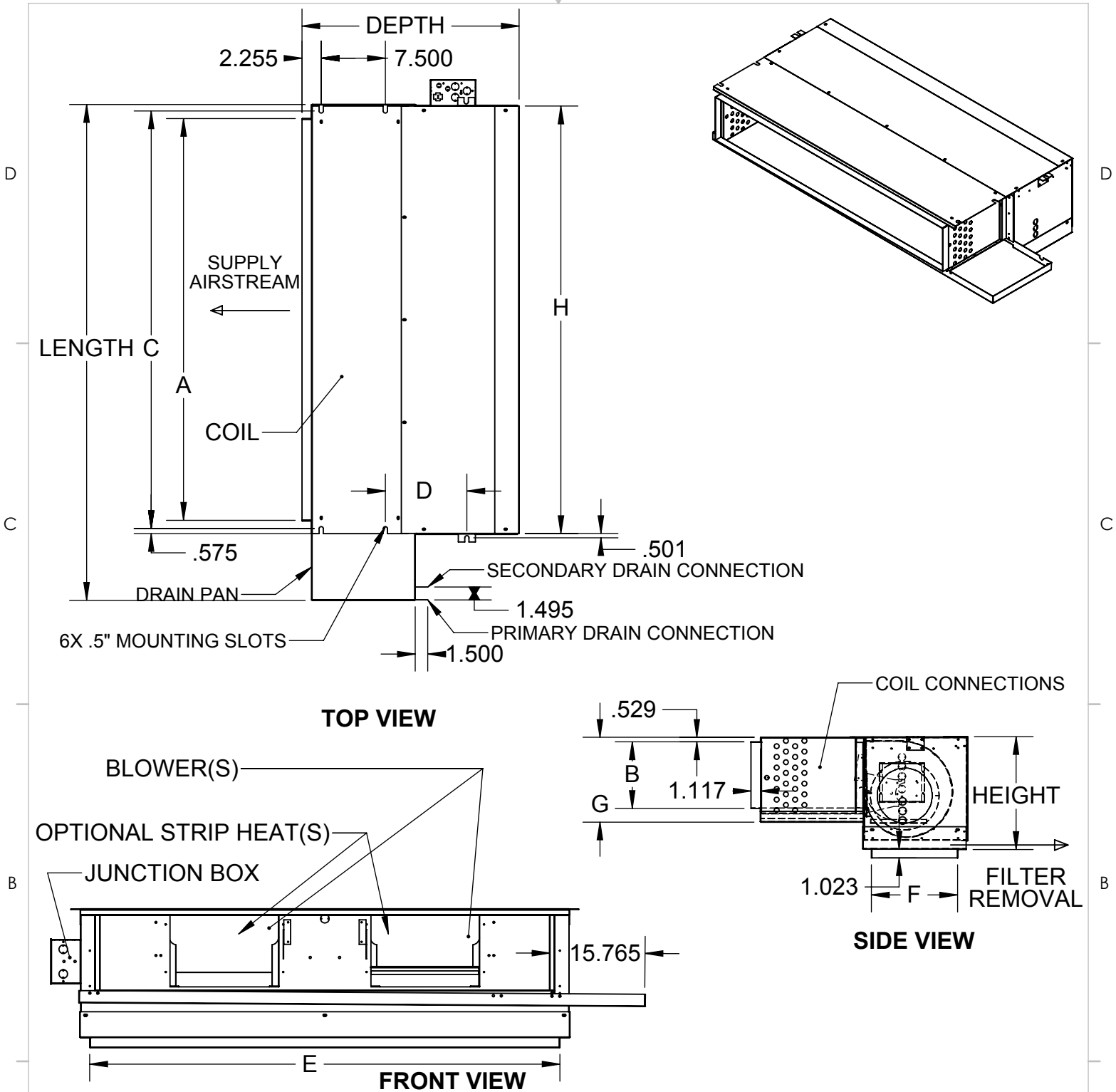
SAME SIDE JUNCTION BOX WITH EXTENDED DRAIN PAN

RIGHT HAND SHOWN

MODEL	A	B	C	D	E	F	G	H	J	K	L	M	N	P	QTY BLOWER	FILTER SIZE
002-003	37 1/2	20 7/8	19	5	20 1/8	22	23 3/16	9 1/4	6	24 3/8	8	10 1/8	11 1/4	7 1/2	1	10x22x1
004	37 1/2	26 7/8	25	5	26	28	29 3/16	9 1/4	6	24 3/8	8	10 1/8	11 1/4	7 1/2	2	10x28x1
006	49 1/2	32 7/8	31	5	32	34	35 3/16	9 1/4	6	24 3/8	8	10 1/8	11 1/4	7 1/2	2	10x34x1
008	49 1/2	32 7/8	31	6	32	34	35 3/16	10 3/4	7 3/4	26 3/8	10	12 1/8	13 1/4	8 1/2	2	12x34x1
010	53 1/2	38 7/8	37	6	38	40	41 3/16	10 3/4	7 3/4	26 3/8	10	12 1/8	13 1/4	8 1/2	2	12x40x1
012	53 1/2	44 7/8	43	6	44	46	47 3/16	10 3/4	7 3/4	26 3/8	10	12 1/8	13 1/4	8 1/2	2	12x46x1

RETURN AIR PLENUM
 REAR DUCTED
 REV A

D107550



EXTENDED DRAIN PAN

OVERALL				SUPPLY DUCT		MOUNTING		RETURN DUCT					
UNIT SIZE	LENGTH	HEIGHT	DEPTH	A	B	C	D	E	F	G	H	BLOWERS	FILTER SIZE
002-003	36	11.19	23.38	19.13	6	20.88	8.5	20.13	8.08	8	22	1	10x22x1
004	44	11.19	23.38	25.13	6	26.88	8.5	29.13	8.08	8	31	2	10x31x1
006	50	11.19	23.38	33.13	6	34.88	8.5	34.13	8.08	8	36	2	10x36x1
008	50	13.19	25.38	33.13	7.75	34.88	9.5	34.13	10.08	9.75	36	2	12x36x1
010	56	13.19	25.38	39.13	7.75	40.88	9.5	40.13	10.08	9.75	42	2	12x42x1
012	64	13.19	25.38	47.13	7.75	48.88	9.5	48.13	10.08	9.75	50	2	12x50x1

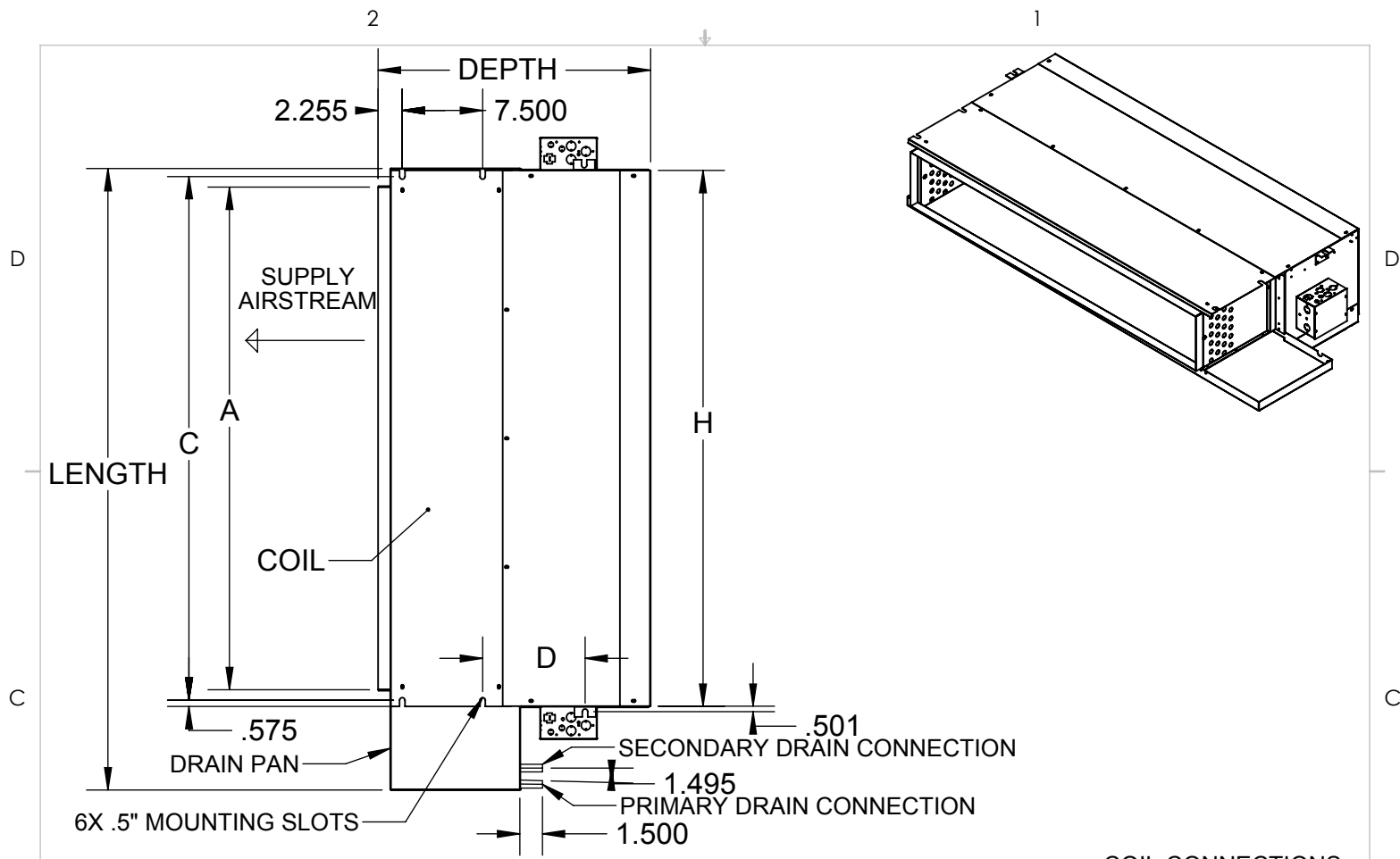
PROPRIETARY AND CONFIDENTIAL
THE INFORMATION CONTAINED IN THIS DOCUMENT IS THE SOLE
PROPERTY OF THE MANUFACTURER. ANY REPRODUCTION IN PART
OR AS A WHOLE WITHOUT WRITTEN PERMISSION IS PROHIBITED.

TITLE:
LH.Return Plenum, Bottom
Unit Revision Level B

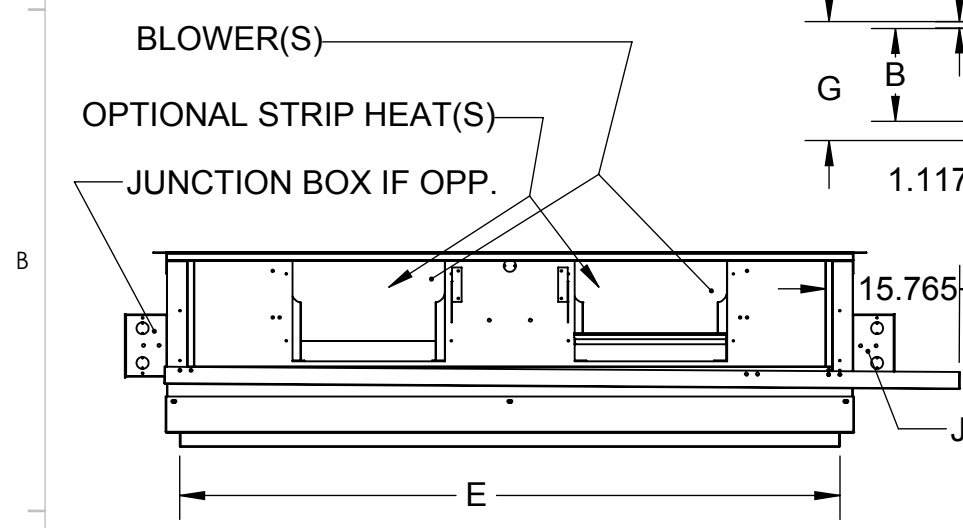
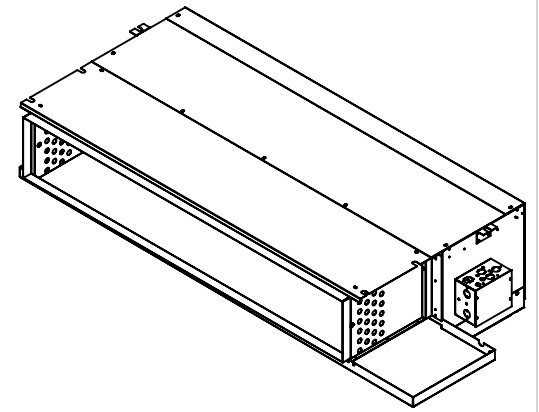
DWG. NO.
D107547

REV
B

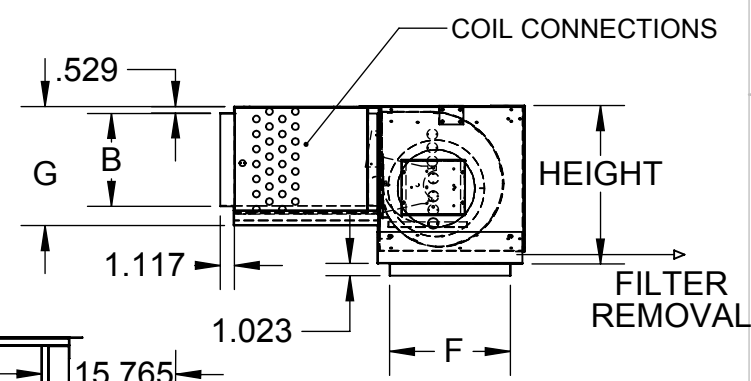
DRAWING NOT TO SCALE



TOP VIEW



FRONT VIEW



SIDE VIEW

SAME SIDE JUNCTION BOX WITH EXTENDED DRAIN PAN ECM **RIGHT HAND SHOWN**

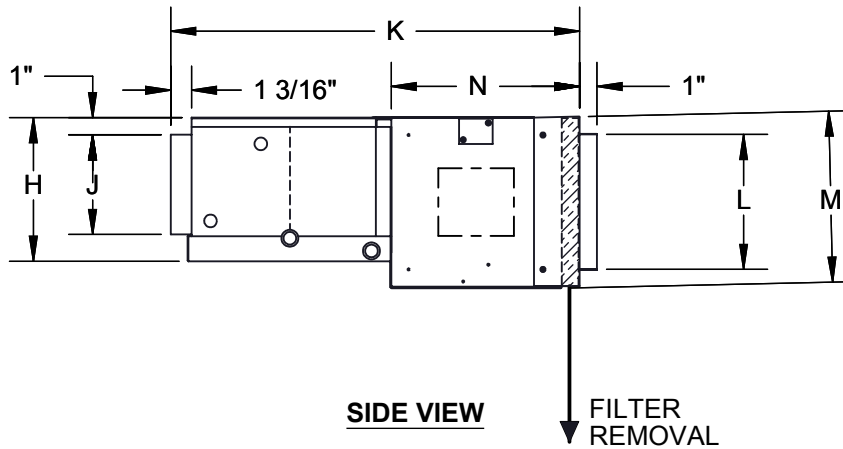
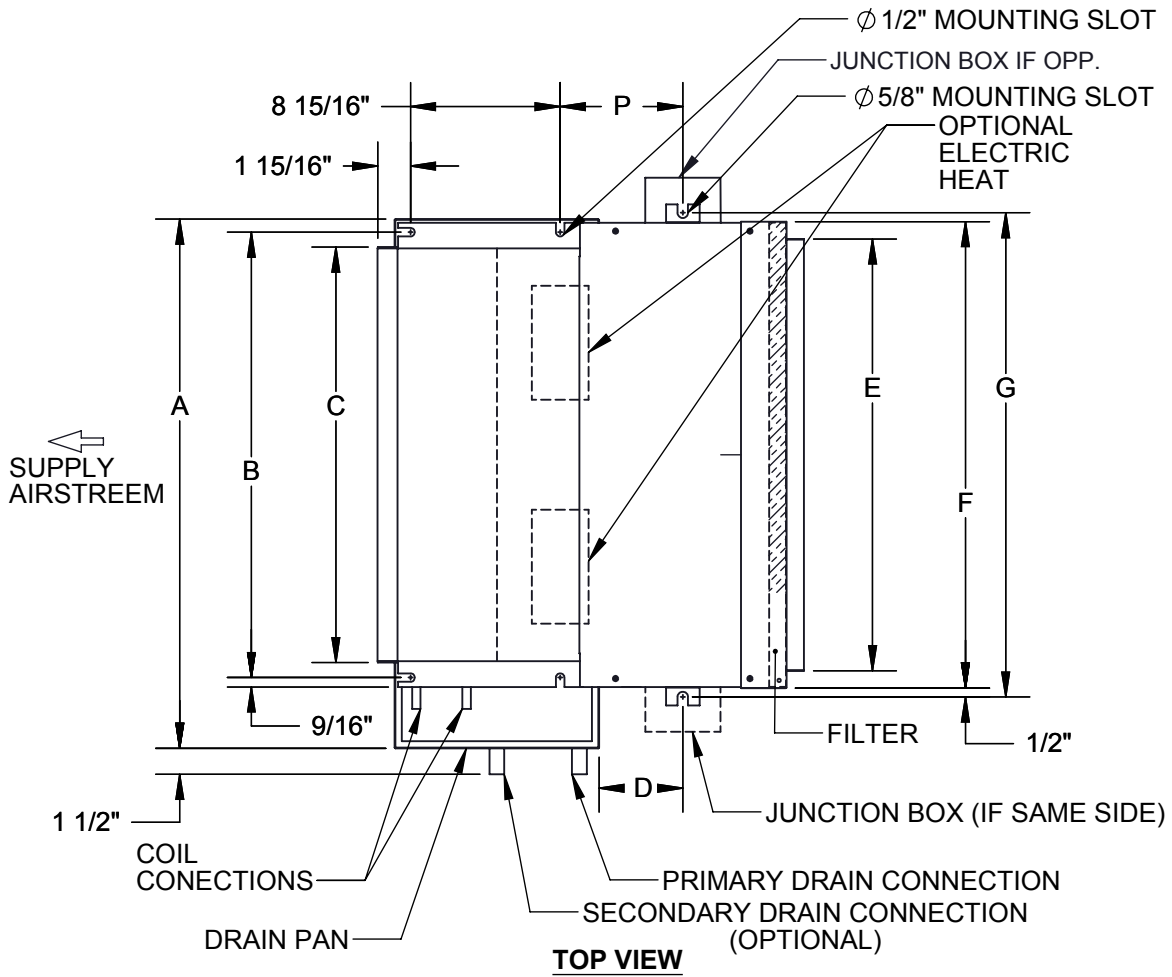
OVERALL			SUPPLY DUCT		MOUNTING		RETURN DUCT						
UNIT SIZE	LENGTH	HEIGHT	DEPTH	A	B	C	D	E	F	G	H	BLOWERS	FILTER SIZE
002-003	36	11.19	27.38	19.13	6	20.88	8.5	20.13	8.08	8	22	1	10x22x1
004	44	11.19	27.38	25.13	6	26.88	8.5	29.13	8.08	8	31	2	10x31x1
006	50	11.19	27.38	33.13	6	34.88	8.5	34.13	8.08	8	36	2	10x36x1
008	50	13.19	27.88	33.13	7.75	34.88	9.5	34.13	10.08	9.75	36	2	12x36x1
010	56	13.19	27.88	39.13	7.75	40.88	9.5	40.13	10.08	9.75	42	2	12x42x1
012	64	13.19	27.88	47.13	7.75	48.88	9.5	48.13	10.08	9.75	50	2	12x50x1

PROPRIETARY AND CONFIDENTIAL
 THE INFORMATION CONTAINED IN THIS DOCUMENT IS THE SOLE PROPERTY OF WILLIAMS FURNACE COMPANY. ANY REPRODUCTION IN PART OR AS A WHOLE WITHOUT THE WRITTEN PERMISSION OF WILLIAMS FURNACE COMPANY IS PROHIBITED.
DRAWING NOT TO SCALE

TITLE:
 LH.Return Plenum, Bottom
 Unit Revision Level B

DWG. NO.
 D107787

REV
 B



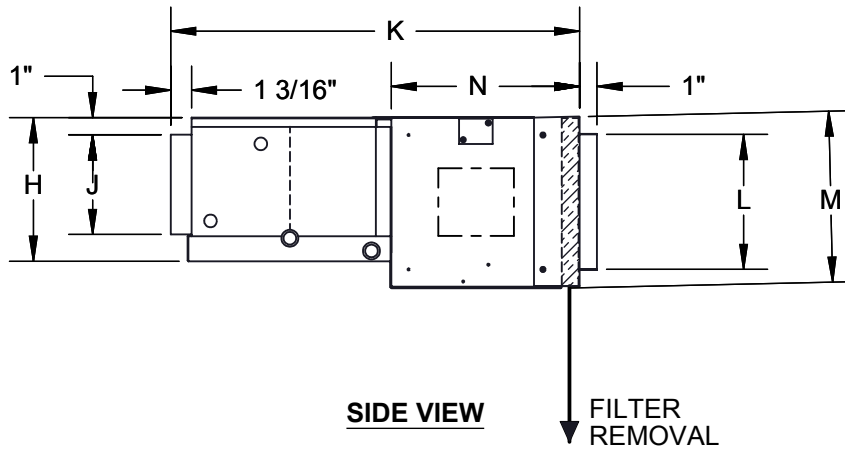
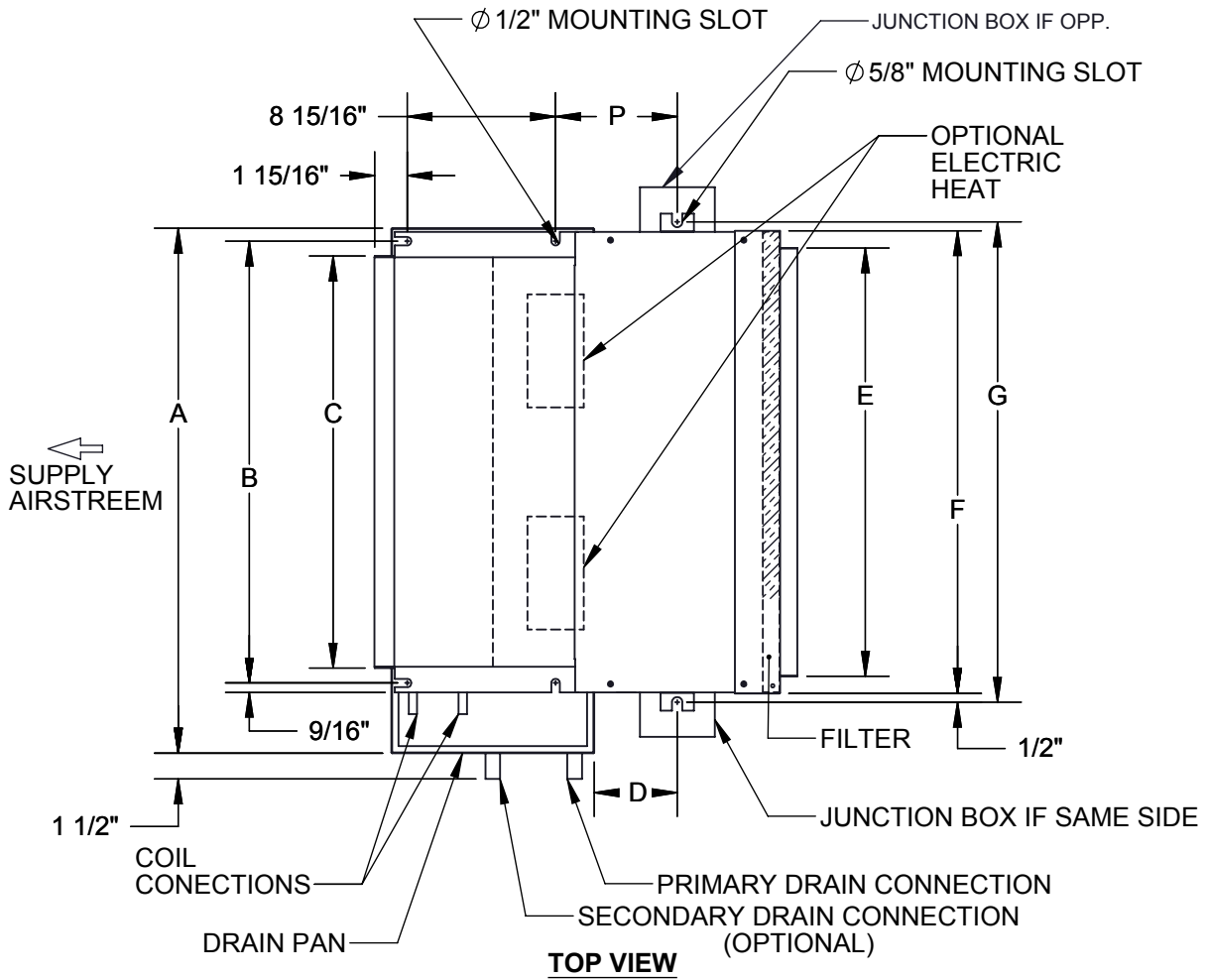
EXTENDED DRAIN PAN

RIGHT HAND SHOWN

MODEL	A	B	C	D	E	F	G	H	J	K	L	M	N	P	QTY BLOWER	FILTER SIZE
002-003	37 1/2	20 7/8	19	5	20 1/8	22	23 3/16	9 1/4	6	27 3/16	8	10 1/16	14 1/16	7 1/2	1	10x22x1
004	37 1/2	26 7/8	25	5	26	28	29 3/16	9 1/4	6	27 3/16	8	10 1/16	14 1/16	7 1/2	2	10x28x1
006	49 1/2	32 7/8	31	5	32	34	35 3/16	9 1/4	6	27 3/16	8	10 1/16	14 1/16	7 1/2	2	10x34x1
008	49 1/2	32 7/8	31	6	32	34	35 3/16	10 3/4	7 3/4	27 11/16	10	12 1/16	14 9/16	8 1/2	2	12x34x1
010	53 1/2	38 7/8	37	6	38	40	41 3/16	10 3/4	7 3/4	27 11/16	10	12 1/16	14 9/16	8 1/2	2	12x40x1
012	53 1/2	44 7/8	43	6	44	46	47 3/16	10 3/4	7 3/4	27 11/16	10	12 1/16	14 9/16	8 1/2	2	12x46x1

RETUEN AIR PLENUM ECM
REAR DUCTED
REV A

D107783



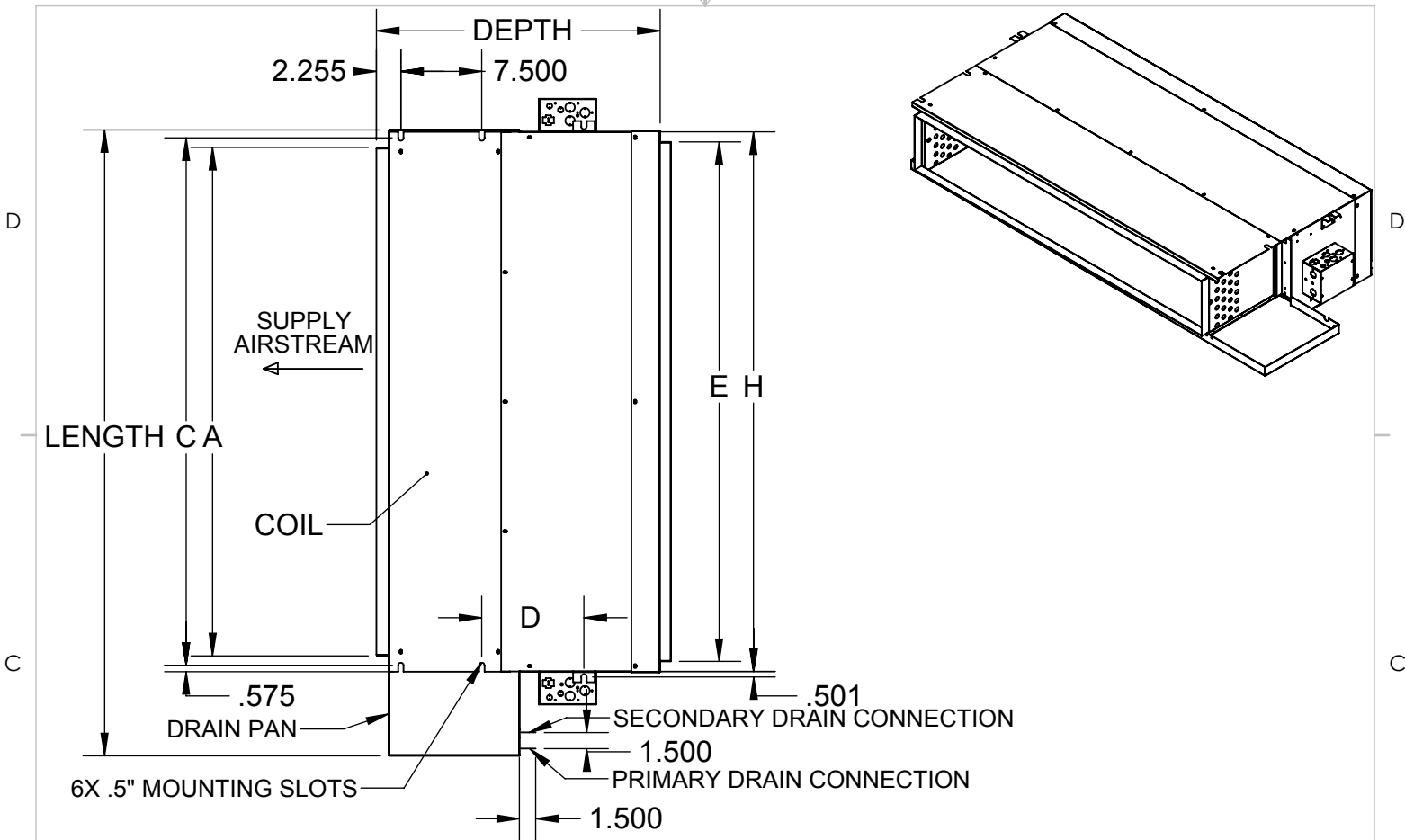
SAME SIDE JUNCTION BOX

RIGHT HAND SHOWN

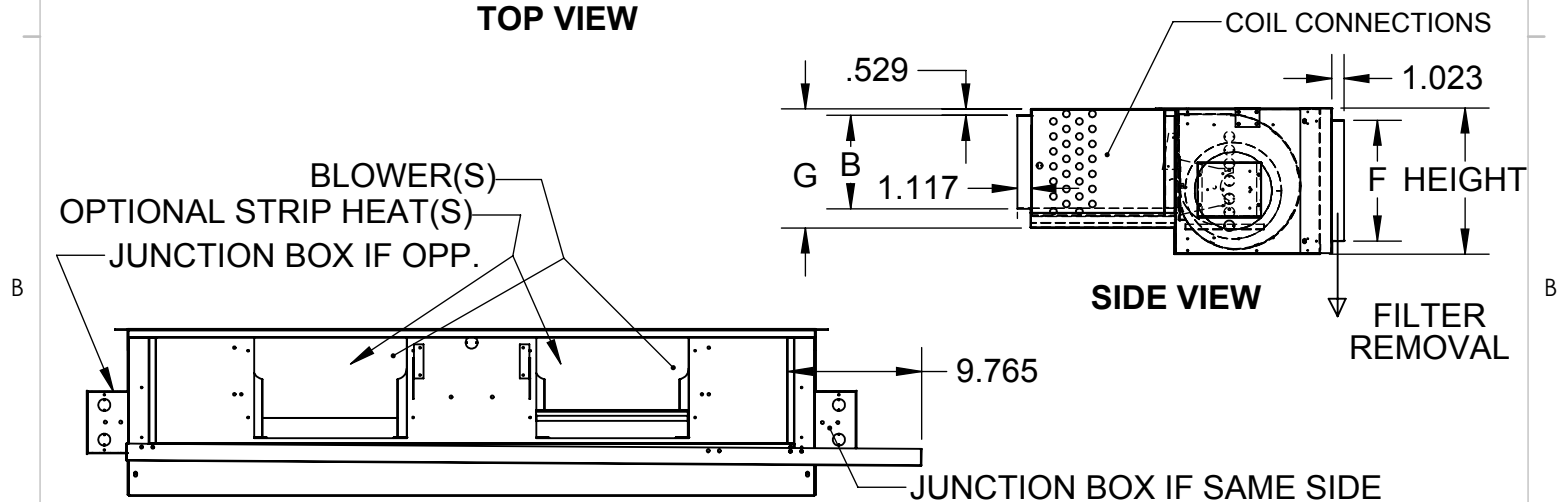
MODEL	A	B	C	D	E	F	G	H	J	K	L	M	N	P	QTY BLOWER	FILTER SIZE
002-003	31 1/2	20 7/8	19	5	20 1/8	22	23 3/16	9 1/4	6	24 3/8	8	10 1/8	11 1/4	7 1/2	1	10x22x1
004	31 1/2	26 7/8	25	5	26	28	29 3/16	9 1/4	6	24 3/8	8	10 1/8	11 1/4	7 1/2	2	10x28x1
006	37 1/2	32 7/8	31	5	32	34	35 3/16	9 1/4	6	24 3/8	8	10 1/8	11 1/4	7 1/2	2	10x34x1
008	37 1/2	32 7/8	31	6	32	34	35 3/16	10 3/4	7 3/4	26 3/8	10	12 1/8	13 1/4	8 1/2	2	12x34x1
010	49 1/2	38 7/8	37	6	38	40	41 3/16	10 3/4	7 3/4	26 3/8	10	12 1/8	13 1/4	8 1/2	2	12x40x1
012	49 1/2	44 7/8	43	6	44	46	47 3/16	10 3/4	7 3/4	26 3/8	10	12 1/8	13 1/4	8 1/2	2	12x46x1

RETURN AIR PLENUM
REAR DUCTED
REV A

D107549



TOP VIEW



FRONT VIEW

SIDE VIEW

SAME SIDE JUNCTION BOX

RIGHT HAND SHOWN

OVERALL				SUPPLY DUCT		MOUNTING		RETURN DUCT					
UNIT SIZE	LENGTH	HEIGHT	DEPTH	A	B	C	D	E	F	G	H	BLOWERS	FILTER SIZE
002-003	30	10.19	24.38	19.13	6	20.88	8.5	20.13	8.08	8	22	1	10x22x1
004	37.5	10.19	24.38	25.13	6	26.88	8.5	29.13	8.08	8	31	2	10x31x1
006	44	10.19	24.38	33.13	6	34.88	8.5	34.13	8.08	8	36	2	10x36x1
008	44	12.19	26.38	33.13	7.75	34.88	9.5	34.13	10.08	9.75	36	2	12x36x1
010	50	12.19	26.38	39.13	7.75	40.88	9.5	40.13	10.08	9.75	42	2	12x42x1
012	58	12.19	26.38	47.13	7.75	48.88	9.5	48.13	10.08	9.75	50	2	12x50x1

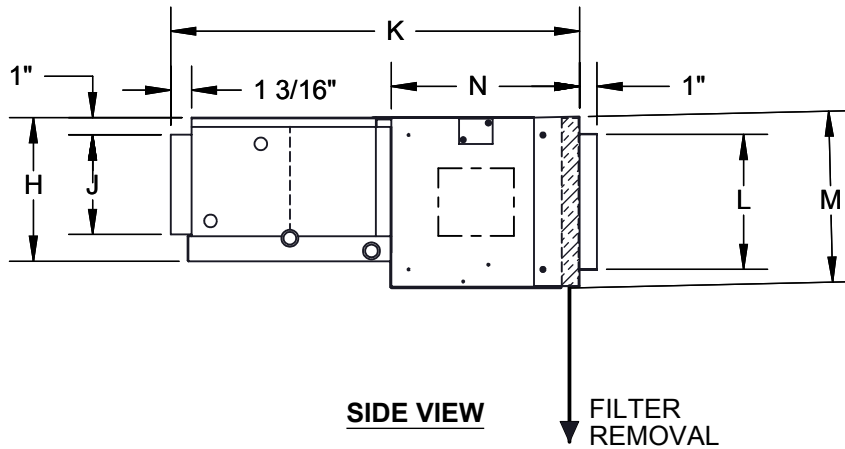
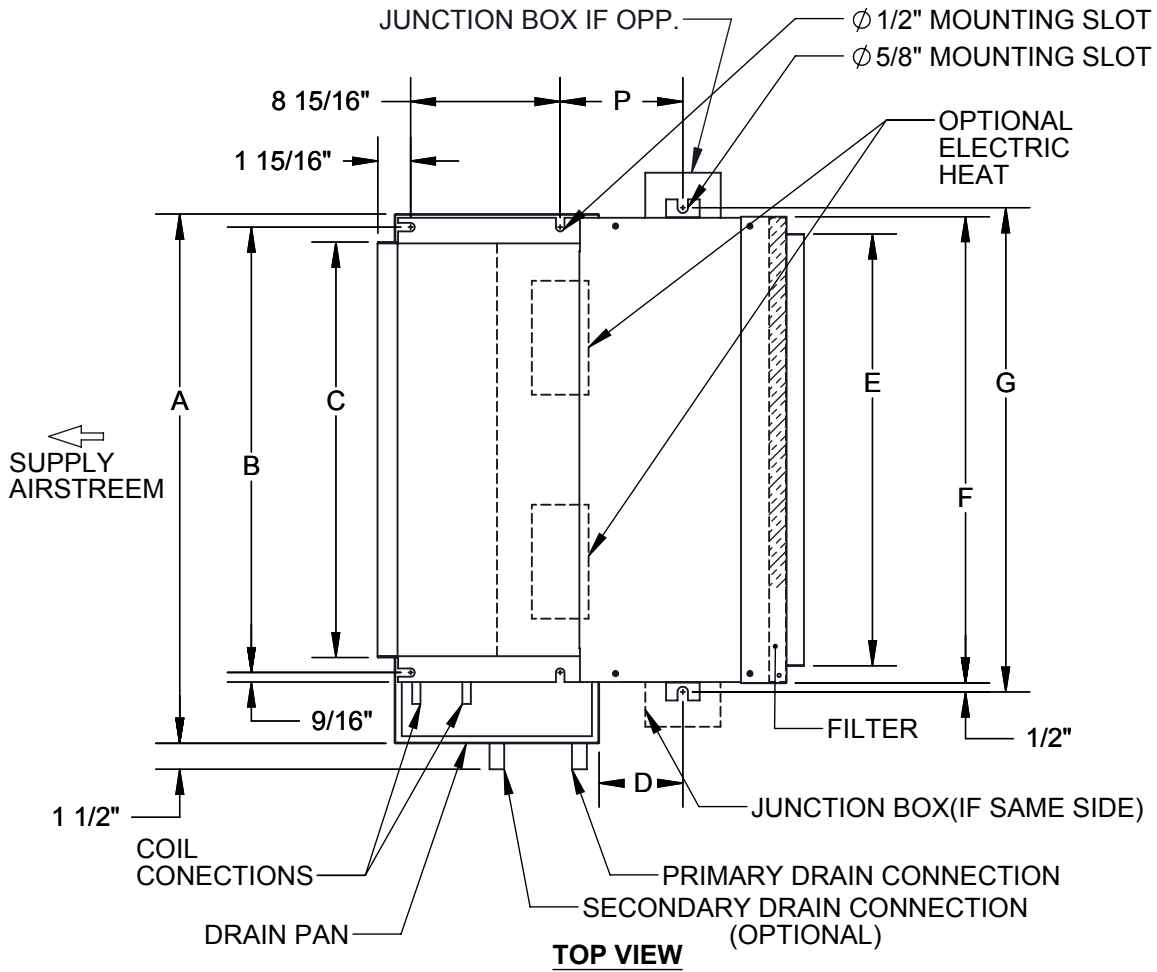
PROPRIETARY AND CONFIDENTIAL
 THE INFORMATION CONTAINED IN THIS DOCUMENT IS THE SOLE PROPERTY OF THE MANUFACTURER. ANY REPRODUCTION IN PART OR AS A WHOLE WITHOUT WRITTEN PERMISSION IS PROHIBITED.

TITLE:
 LH.Return Plenum, Rear Unit Revision Level B

DWG. NO.
 D107551

REV
 B

DRAWING NOT TO SCALE

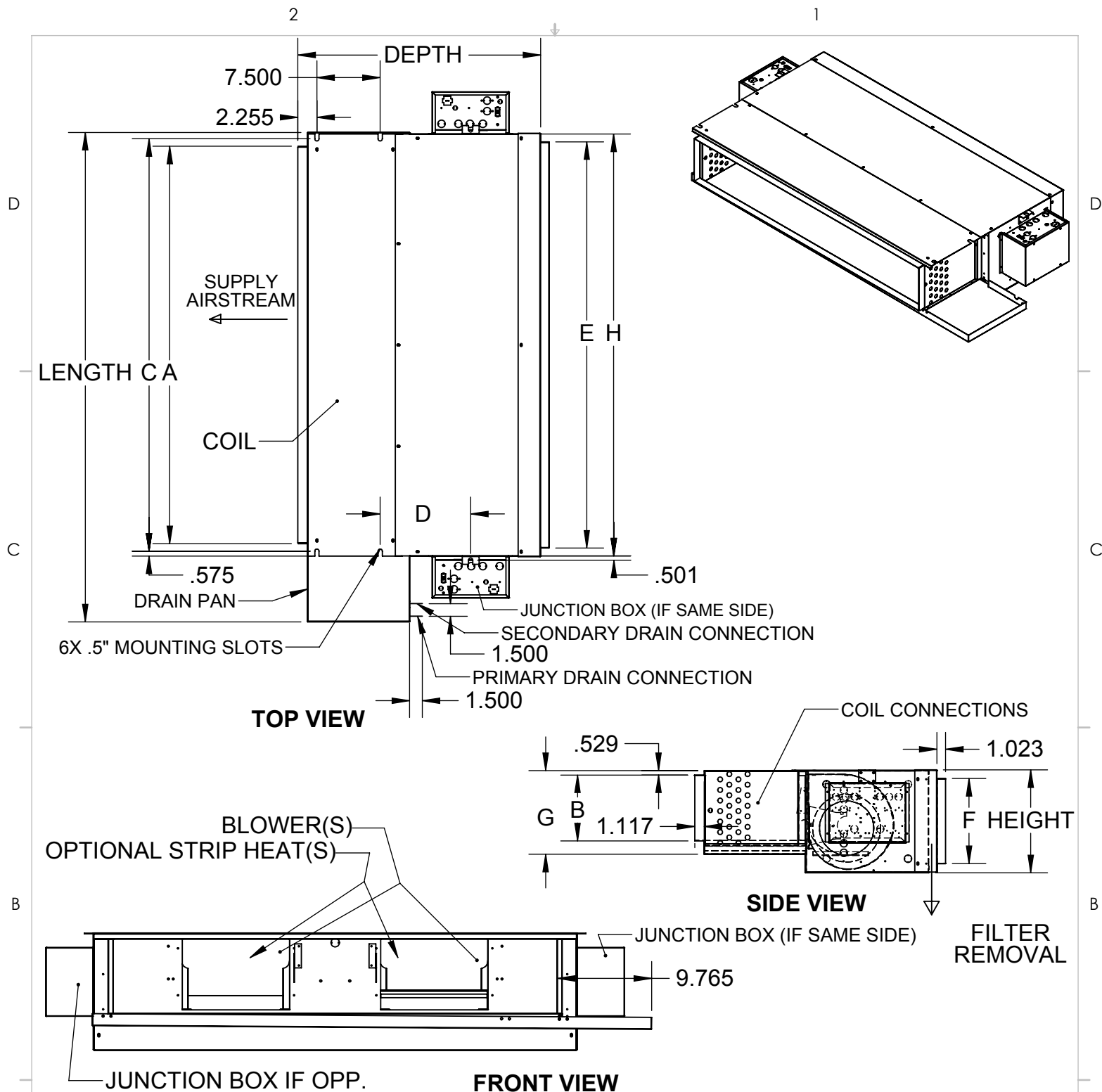


RIGHT HAND SHOWN

MODEL	A	B	C	D	E	F	G	H	J	K	L	M	N	P	QTY BLOWER	FILTER SIZE
002-003	31 1/2	20 7/8	19	5	20 1/8	22	23 3/16	9 1/4	6	27 3/16	8	10 1/16	14 1/16	7 1/2	1	10x22x1
004	31 1/2	26 7/8	25	5	26	28	29 3/16	9 1/4	6	27 3/16	8	10 1/16	14 1/16	7 1/2	2	10x28x1
006	37 1/2	32 7/8	31	5	32	34	35 3/16	9 1/4	6	27 3/16	8	10 1/16	14 1/16	7 1/2	2	10x34x1
008	37 1/2	32 7/8	31	6	32	34	35 3/16	10 3/4	7 3/4	27 11/16	10	12 1/16	14 9/16	8 1/2	2	12x34x1
010	49 1/2	38 7/8	37	6	38	40	41 3/16	10 3/4	7 3/4	27 11/16	10	12 1/16	14 9/16	8 1/2	2	12x40x1
012	49 1/2	44 7/8	43	6	44	46	47 3/16	10 3/4	7 3/4	27 11/16	10	12 1/16	14 9/16	8 1/2	2	12x46x1

RETURN AIR PLENUM ECM
 REAR DUCTED
 REV A

D107782



OVERALL				SUPPLY DUCT		MOUNTING		RETURN DUCT					
UNIT SIZE	LENGTH	HEIGHT	DEPTH	A	B	C	D	E	F	G	H	BLOWERS	FILTER SIZE
002-003	30	10.19	28.38	19.13	6	20.88	8.5	20.13	8.08	8	22	1	10x22x1
004	37.5	10.19	28.38	25.13	6	26.88	8.5	29.13	8.08	8	31	2	10x31x1
006	44	10.19	28.38	33.13	6	34.88	8.5	34.13	8.08	8	36	2	10x36x1
008	44	12.19	28.88	33.13	7.75	34.88	9.5	34.13	10.08	9.75	36	2	12x36x1
010	50	12.19	28.88	39.13	7.75	40.88	9.5	40.13	10.08	9.75	42	2	12x42x1
012	58	12.19	28.88	47.13	7.75	48.88	9.5	48.13	10.08	9.75	50	2	12x50x1

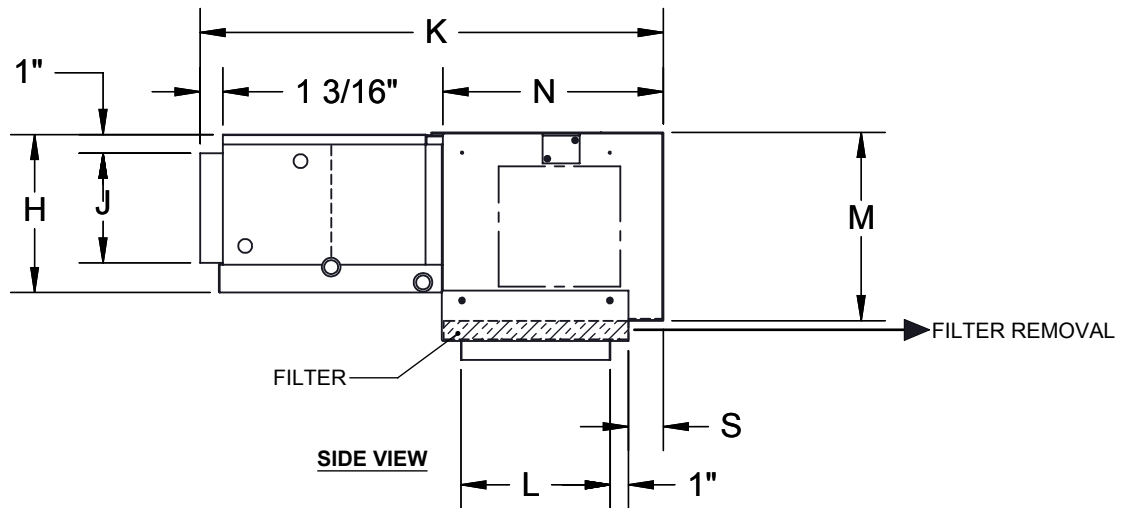
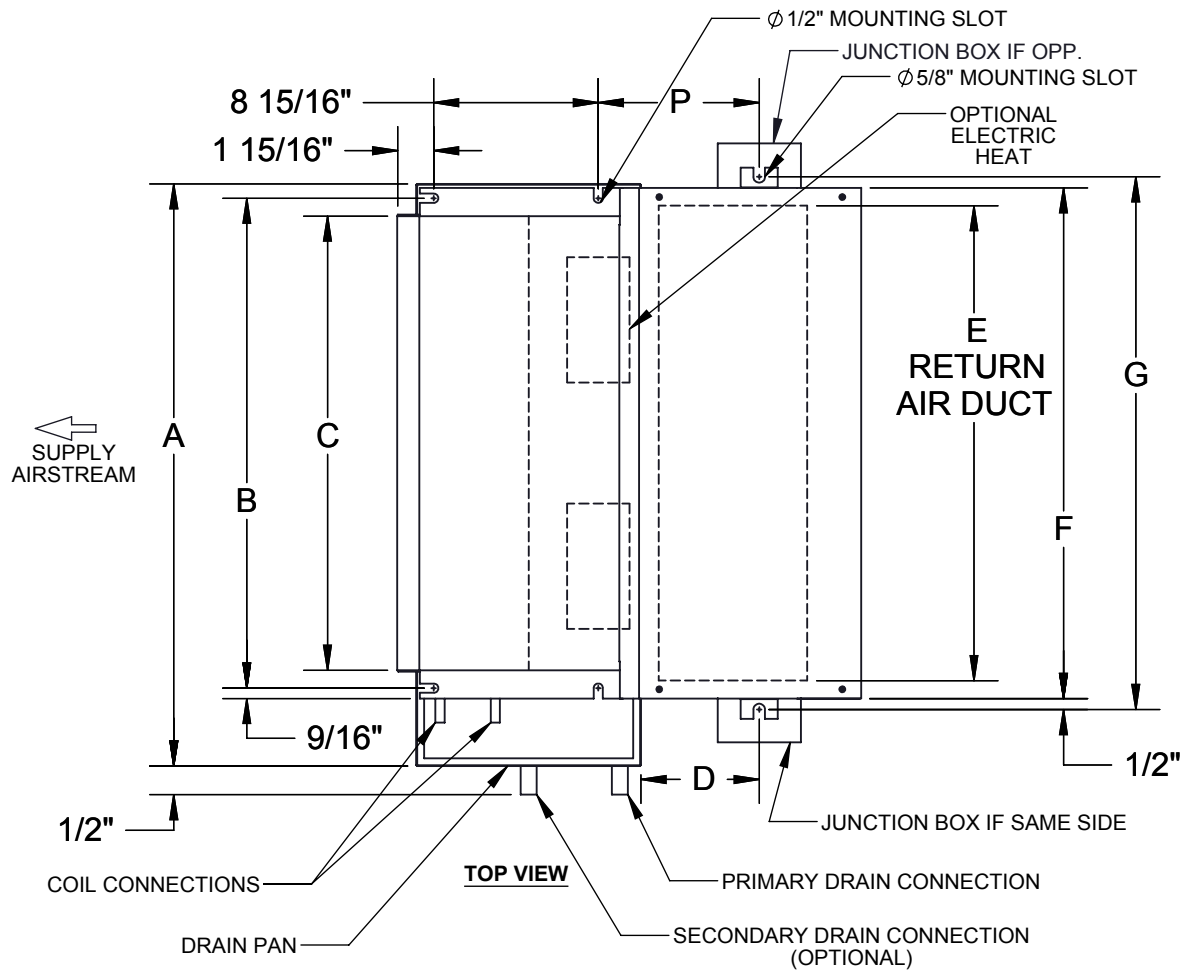
PROPRIETARY AND CONFIDENTIAL
 THE INFORMATION CONTAINED IN THIS DOCUMENT IS THE SOLE PROPERTY OF THE MANUFACTURER. ANY REPRODUCTION IN PART OR AS A WHOLE WITHOUT WRITTEN PERMISSION IS PROHIBITED.

DRAWING NOT TO SCALE

TITLE: LH.Return Plenum, Rear Unit Revision Level B, EC

DWG. NO. D105478

REV B



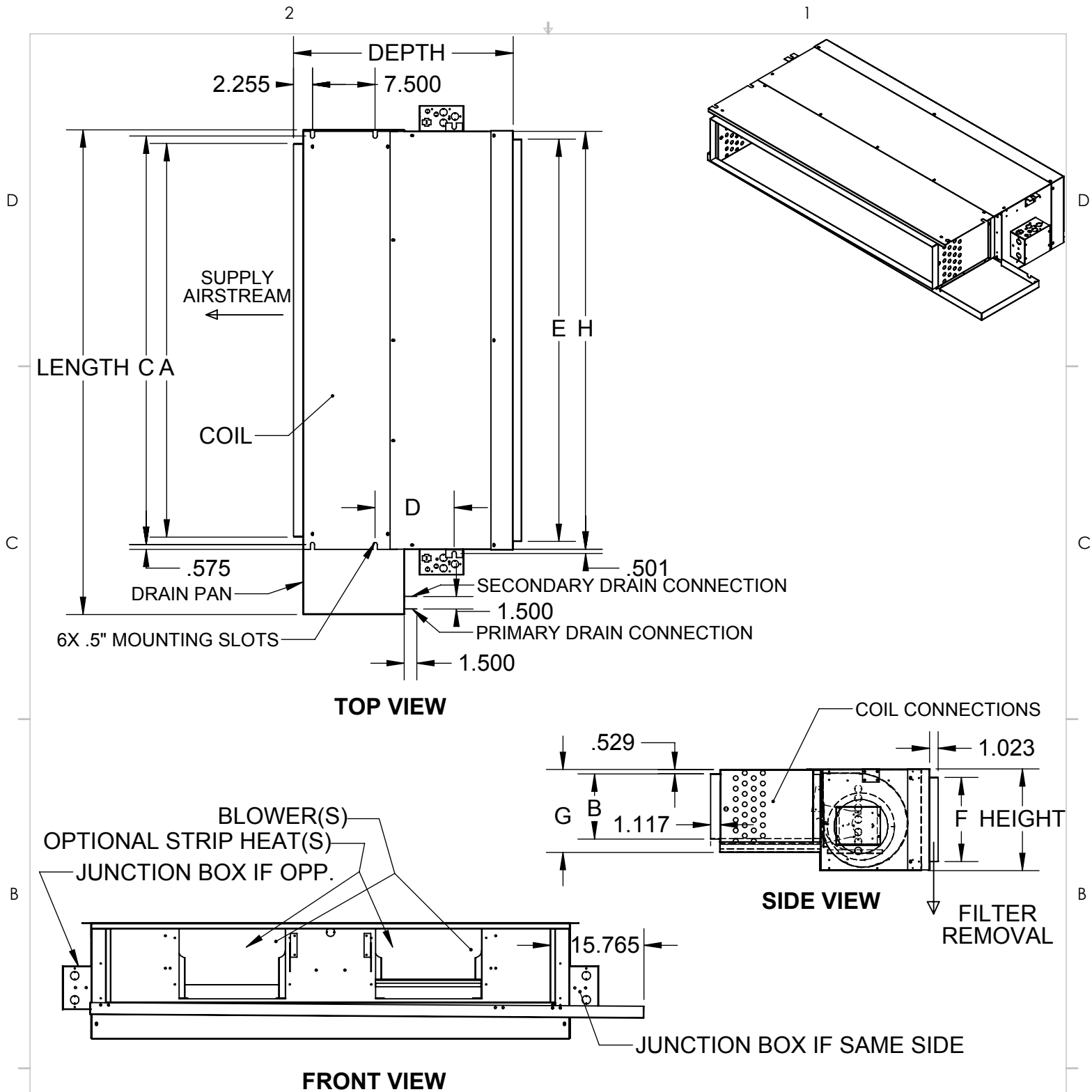
SAME SIDE JUNCTION BOX WITH EXTENDED DRAIN PAN

RIGHT HAND SHOWN

MODEL	A	B	C	D	E	F	G	H	J	K	L	M	N	P	S	QTY BLOWER	FILTER SIZE
002-003	37 1/2	20 7/8	19	5	20 1/8	22	27 3/16	9 1/4	6	23 1/4	8	10 1/8	10 1/8	7 1/2	4	1	10x22x1
004	37 1/2	26 7/8	25	5	26	28	29 3/16	9 1/4	6	23 1/4	8	10 1/8	10 1/8	7 1/2	4	2	10x28x1
006	49 1/2	32 7/8	31	5	32	34	35 3/16	9 1/4	6	23 1/4	8	10 1/8	10 1/8	7 1/2	4	2	10x34x1
008	49 1/2	32 7/8	31	6	32	34	35 3/16	10 3/4	7 3/4	25 1/4	10	12 1/8	12 1/8	8.5	2 1/2	2	12x34x1
010	53 1/2	38 7/8	37	6	38	40	41 3/16	10 3/4	7 3/4	25 1/4	10	12 1/8	12 1/8	8.5	2 1/2	2	12x40x1
012	53 1/2	44 7/8	43	6	44	46	47 3/16	10 3/4	7 3/4	25 1/4	10	12 1/8	12 1/8	8.5	2 1/2	2	12x46x1

RETURN AIR PLENUM
BOTTOM STAMPED
REV A

D107544



SAME SIDE JUNCTION BOX WITH EXTENDED DRAIN PAN

RIGHT HAND SHOWN

OVERALL				SUPPLY DUCT		MOUNTING		RETURN DUCT					
UNIT SIZE	LENGTH	HEIGHT	DEPTH	A	B	C	D	E	F	G	H	BLOWERS	FILTER SIZE
002-003	36	10.19	24.38	19.13	6	20.88	8.5	20.13	8.08	8	22	1	10x22x1
004	44	10.19	24.38	25.13	6	26.88	8.5	29.13	8.08	8	31	2	10x31x1
006	50	10.19	24.38	33.13	6	34.88	8.5	34.13	8.08	8	36	2	10x36x1
008	50	12.19	26.38	33.13	7.75	34.88	9.5	34.13	10.08	9.75	36	2	12x36x1
010	56	12.19	26.38	39.13	7.75	40.88	9.5	40.13	10.08	9.75	42	2	12x42x1
012	64	12.19	26.38	47.13	7.75	48.88	9.5	48.13	10.08	9.75	50	2	12x50x1

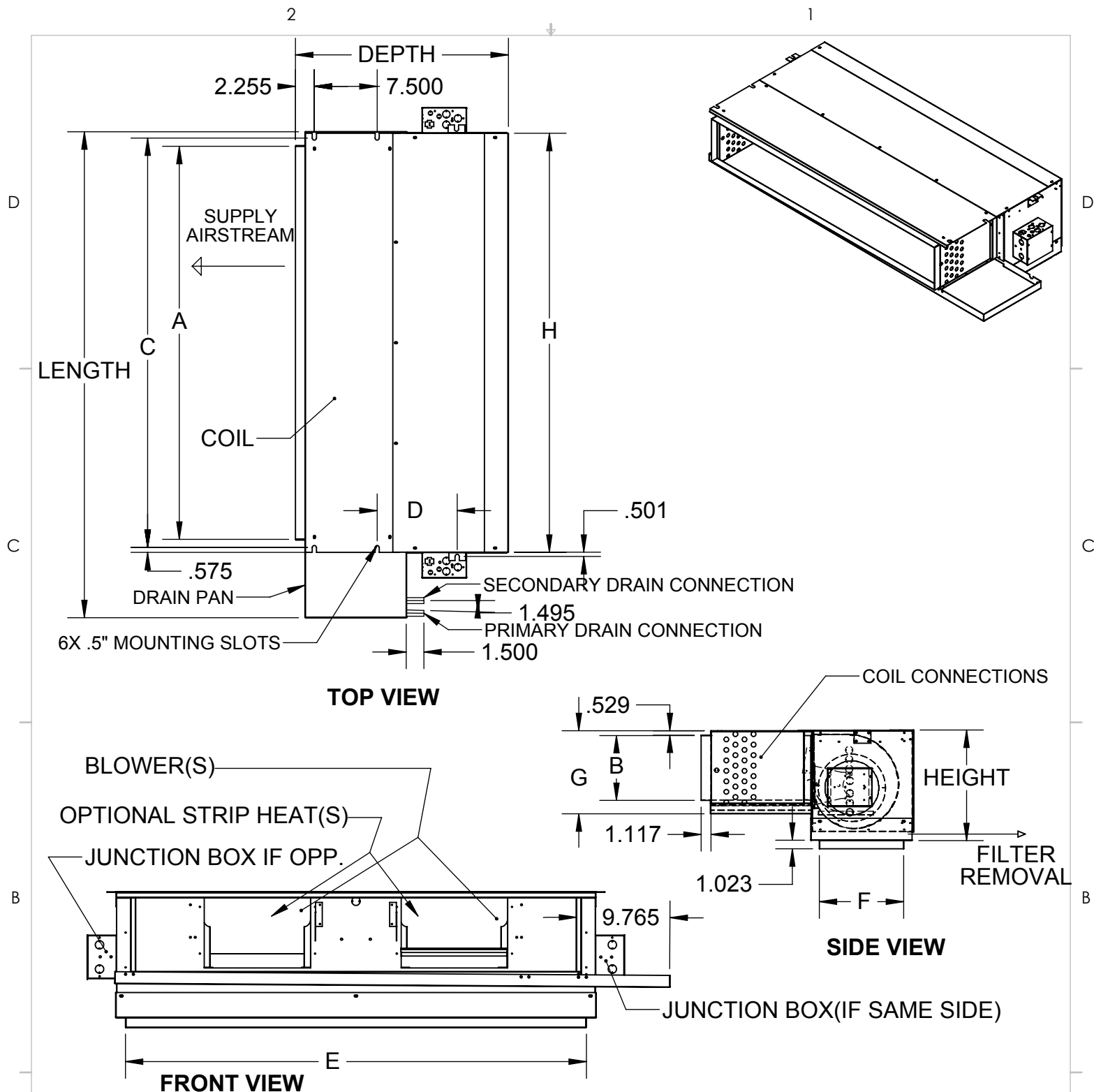
PROPRIETARY AND CONFIDENTIAL
 THE INFORMATION CONTAINED IN THIS DOCUMENT IS THE SOLE
 PROPERTY OF THE MANUFACTURER. ANY REPRODUCTION IN PART
 OR AS A WHOLE WITHOUT WRITTEN PERMISSION IS PROHIBITED.

DRAWING NOT TO SCALE

TITLE:
 LH.Return Plenum, Rear
 Unit Revision Level B

DWG. NO.
 D107553

REV
 B



SAME SIDE JUNCTION BOX

OVERALL				SUPPLY DUCT		MOUNTING		RETURN DUCT					
UNIT SIZE	LENGTH	HEIGHT	DEPTH	A	B	C	D	E	F	G	H	BLOWERS	FILTER SIZE
002-003	30	11.19	23.38	19.13	6	20.88	8.5	20.13	8.08	8	22	1	10x22x1
004	37.5	11.19	23.38	25.13	6	26.88	8.5	29.13	8.08	8	31	2	10x31x1
006	44	11.19	23.38	33.13	6	34.88	8.5	34.13	8.08	8	36	2	10x36x1
008	44	13.19	25.38	33.13	7.75	34.88	9.5	34.13	10.08	9.75	36	2	12x36x1
010	50	13.19	25.38	39.13	7.75	40.88	9.5	40.13	10.08	9.75	42	2	12x42x1
012	58	13.19	25.38	47.13	7.75	48.88	9.5	48.13	10.08	9.75	50	2	12x50x1

PROPRIETARY AND CONFIDENTIAL
 THE INFORMATION CONTAINED IN THIS DOCUMENT IS THE SOLE
 PROPERTY OF THE MANUFACTURER. ANY REPRODUCTION IN PART
 OR AS A WHOLE WITHOUT WRITTEN PERMISSION IS PROHIBITED.

DRAWING NOT TO SCALE

TITLE:
 LH.Return Plenum, Bottom
 Unit Revision Level B

DWG. NO.
 D107546

REV
 B